

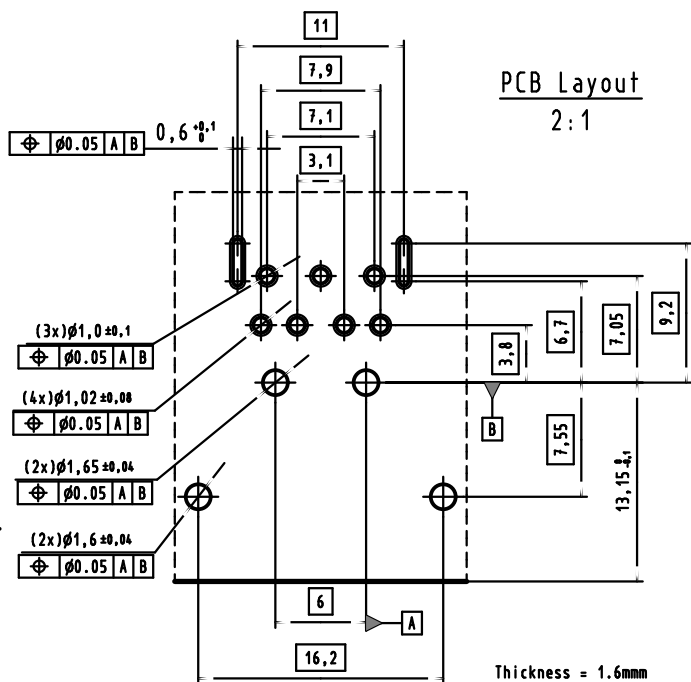
1 2 3 4 5 6

A

B

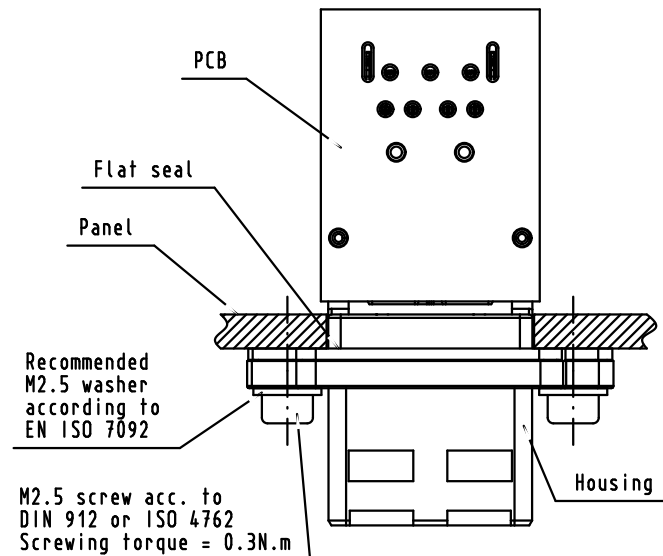
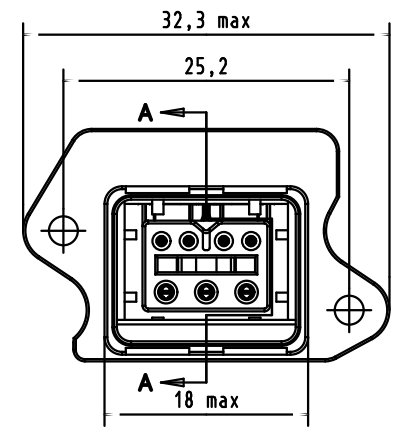
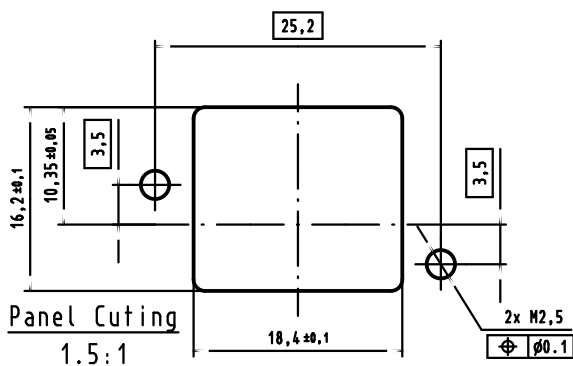
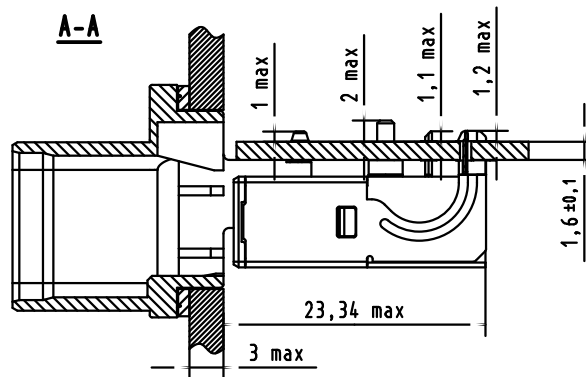
C

D



Connector pitch on pannel :
Axis X = 27 mm
Axis Y = 21 mm

A-A



				Dot.	Name	<p>All Dim. in mm Orig. Size DIN A4</p>	<i>RJ industrial - Hybrid Push-Pull</i> Angled receptacle set M2.5 screws	Maßstab/ Scale 1.5:1
			Detail.	13Nov2008	ED			
			Insp.					
			Stand.					
35411	13Nov2008	ED	HARTING EURL F-95972 Paris				TB 09 45 245 1310	Blatt/ Page 1 / 1
Mod.	Dot.	Name						