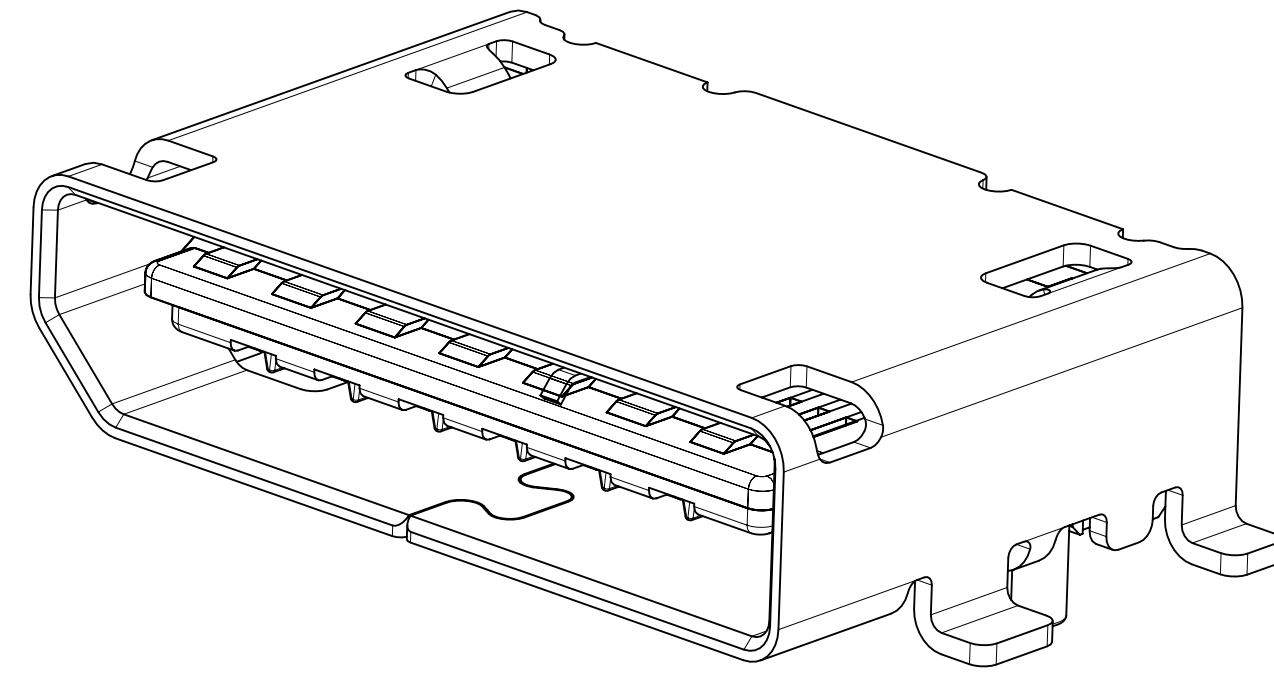
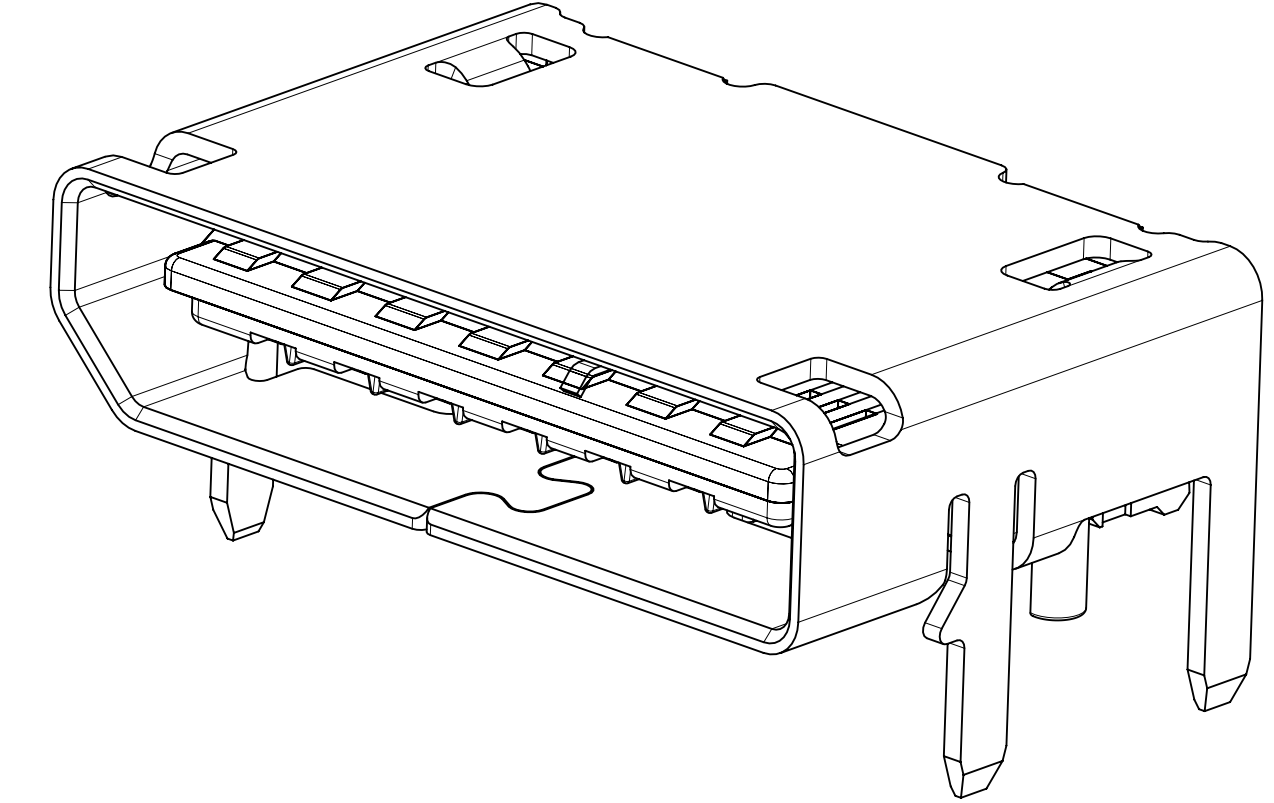


STATUS	MATERIAL NUMBER	SHELL ATTACH OPTION	DIM 'T'
TOOLED	171982-0142	SMT	-
TOOLED	171982-1142	TH	3
TOOLED	171982-2142	TH	2.36
TOOLED	171982-3142	TH	1.57

## 42 CIRCUIT SMT SHELL



## 42 CIRCUIT THRU HOLE SHELL



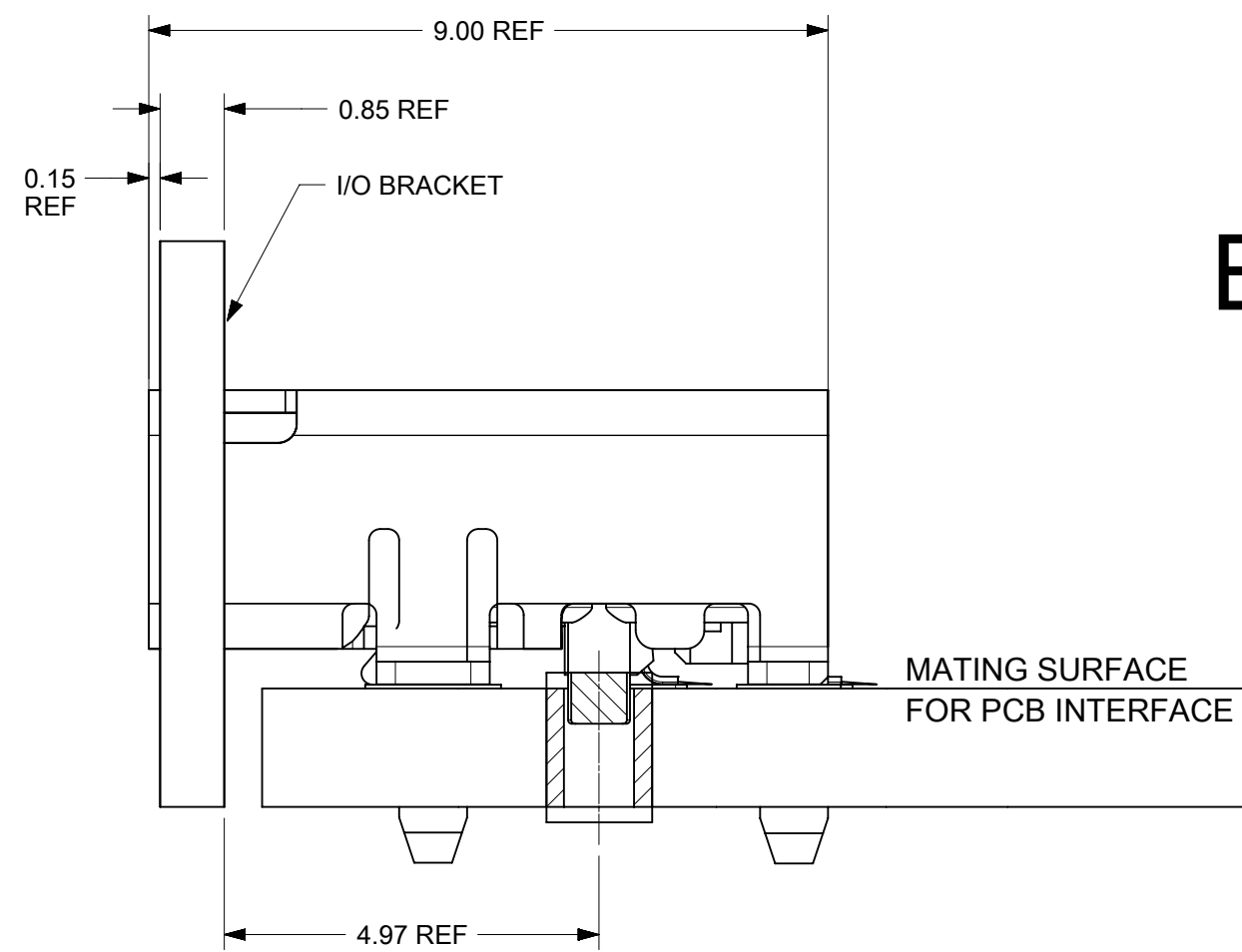
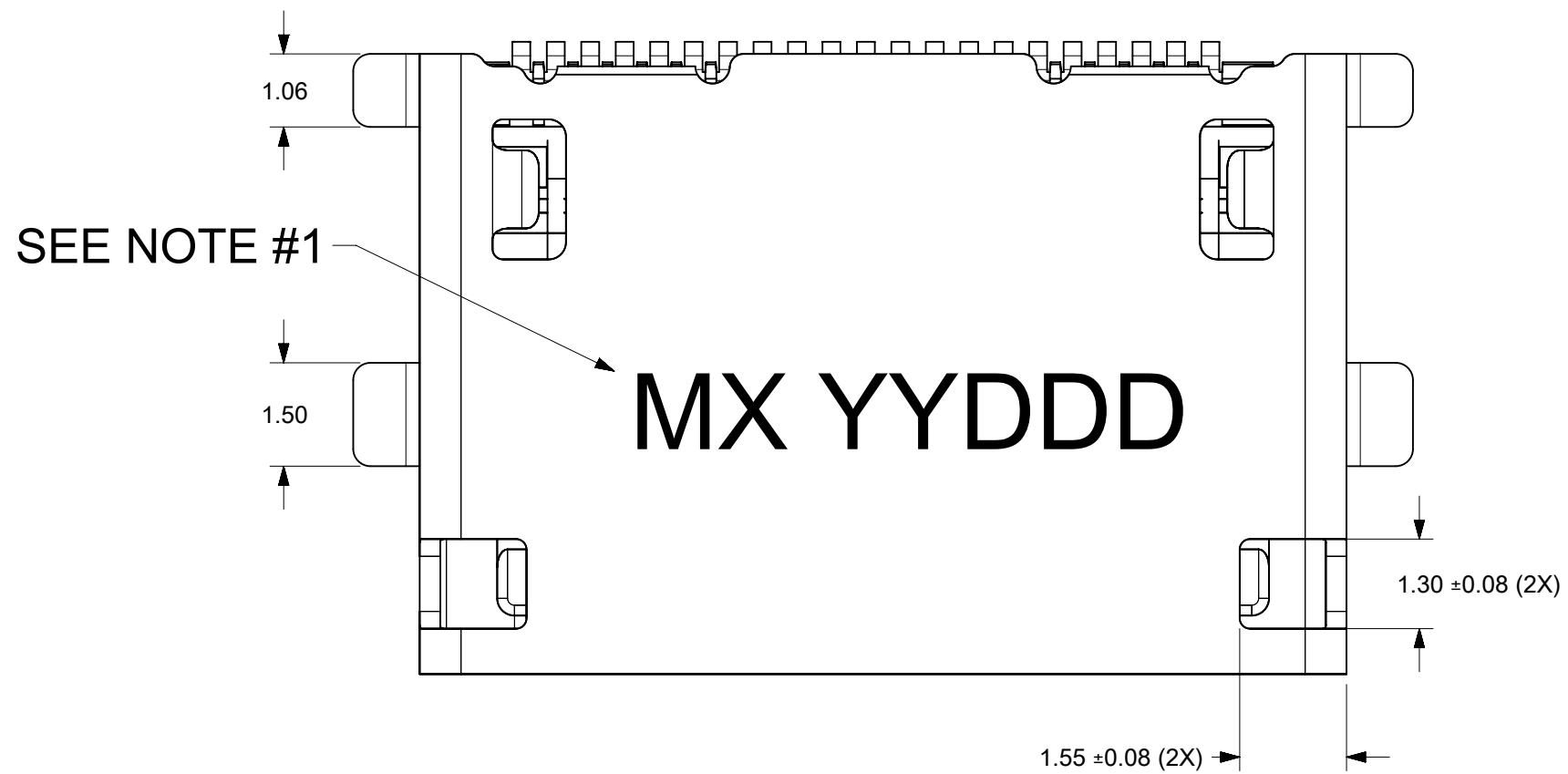
### NOTES:

- MATERIALS:**  
HOUSING - LCP, GLASS FILLED THERMOPLASTIC, 94V-0  
CONTACTS - HIGH PERFORMANCE COPPER ALLOY  
SHIELD - STAINLESS STEEL
- FINISH:**  
CONTACTS - 0.76µm MIN. GOLD MATING SIDE  
0.05µm GOLD FLASH ON SOLDER TAILS  
1.27µm MIN. NICKEL UNDERPLATE OVERALL  
  
SHIELD - MATTE TIN OVER 1.27µm MIN. NICKEL
- PRODUCT SPECIFICATION:** PS-171982-0001
- PACKAGING SPECIFICATION:** PK-173307-0001
- MATES WITH:** MOLEX CABLE SERIES 100436  
PER INDUSTRY STANDARD PCIe OCuLink OR SFF-8612
- APPLICATION SPECIFICATION:** AS-173162-0001
- COSMETIC SPECIFICATION:** PS-45499-002 CALASS B

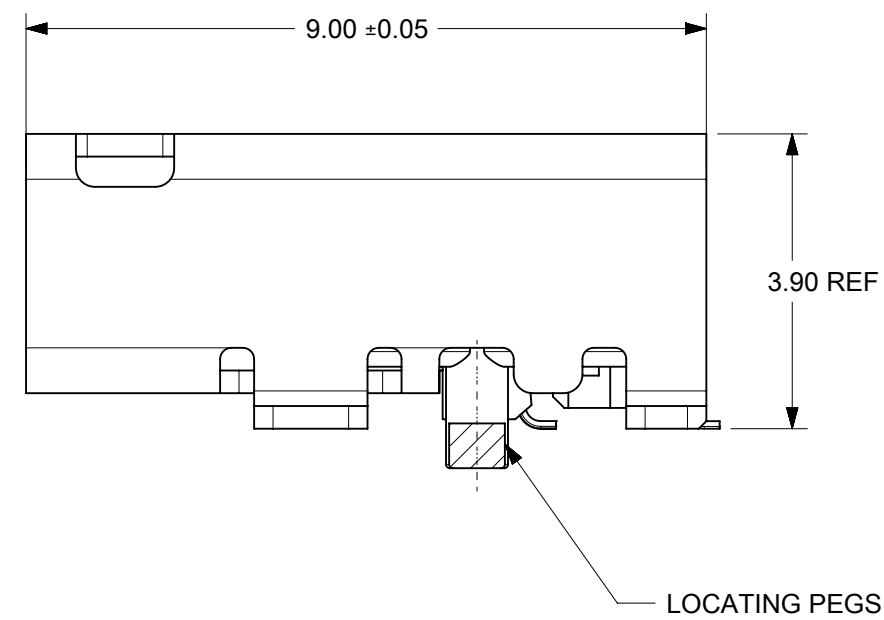
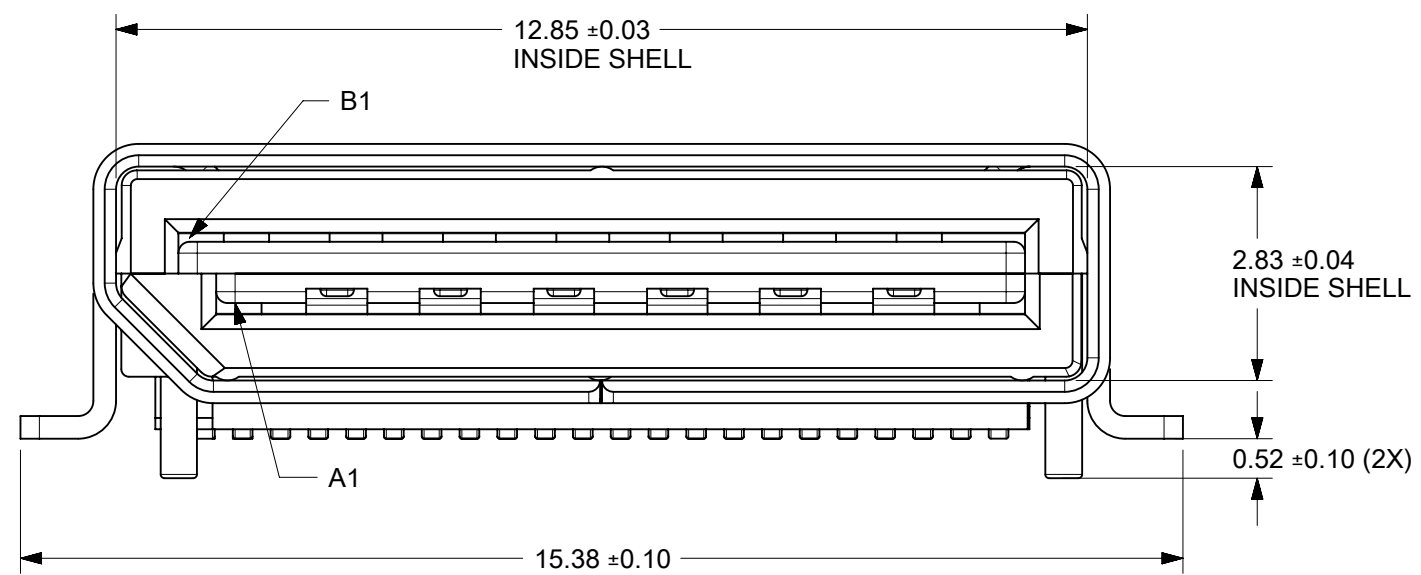
THIS DRAWING CONTAINS INFORMATION THAT IS PROPRIETARY TO MOLEX ELECTRONIC TECHNOLOGIES, LLC AND SHOULD NOT BE USED WITHOUT WRITTEN PERMISSION											
DIMENSION UNITS		SCALE		CURRENT REV DESC:						<b>molex</b>	
mm		10:1									
GENERAL TOLERANCES (UNLESS SPECIFIED)				EC NO: 672997						NANO-PITCH I/O RIGHT ANGLE 4X	
ANGULAR TOL ± 0.5°				DRWN: ABELD2 2021/07/05							
4 PLACES ±				CHK'D: JKACHLIC 2021/08/30						PRODUCT CUSTOMER DRAWING	
3 PLACES ±				APPR: JKACHLIC 2021/08/30							
2 PLACES ± 0.13				INITIAL REVISION:						DOCUMENT NUMBER	
1 PLACE ± 0.25				DRWN: MJANTELEZIO 2015/10/21							
0 PLACES ±				APPR: MBANAKIS 2015/11/09						SD-171982-1000	
DRAFT WHERE APPLICABLE MUST REMAIN WITHIN DIMENSIONS				THIRD ANGLE PROJECTION		DRAWING		SERIES		CUSTOMER	
						D-SIZE		171982		GENERAL MARKET	
DIVISIONAL SYMBOLS		FA = 0		FC = 0		FD = 0		PSD		001 J2	
DOCUMENT STATUS		P1		RELEASE DATE		2021/08/30		09:41:22		SHEET NUMBER	
										1 OF 6	



# 42 CIRCUIT SMT ASSEMBLY



**EXTERNAL**



**NOTES:**

1. MANUFACTURED DATE CODE (JULIAN CALENDAR)

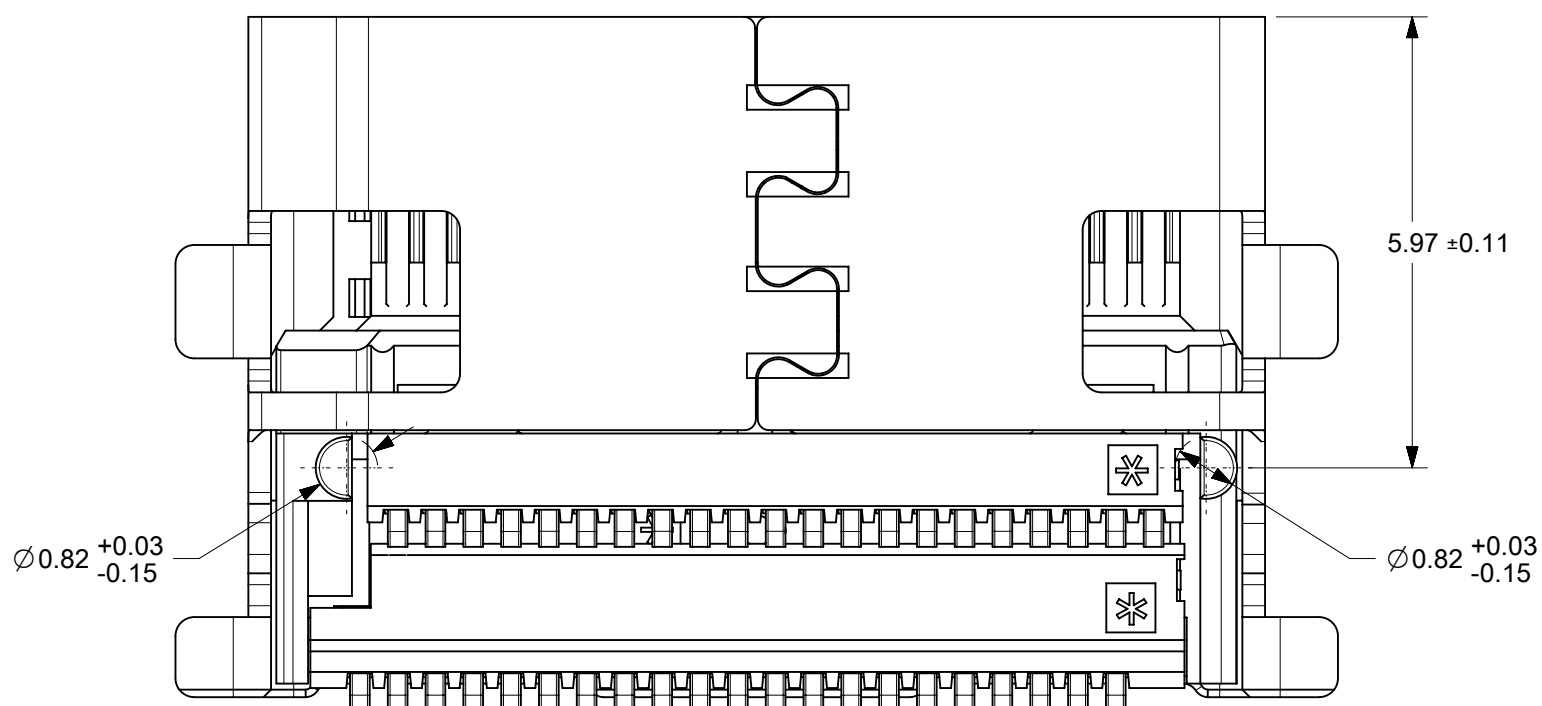
**MX YYDDD**

DAY OF THE YEAR

LAST TWO DIGITS OF THE YEAR

MOLEX

2. SOLDER TAIL COPLANARITY 0.10 MAX



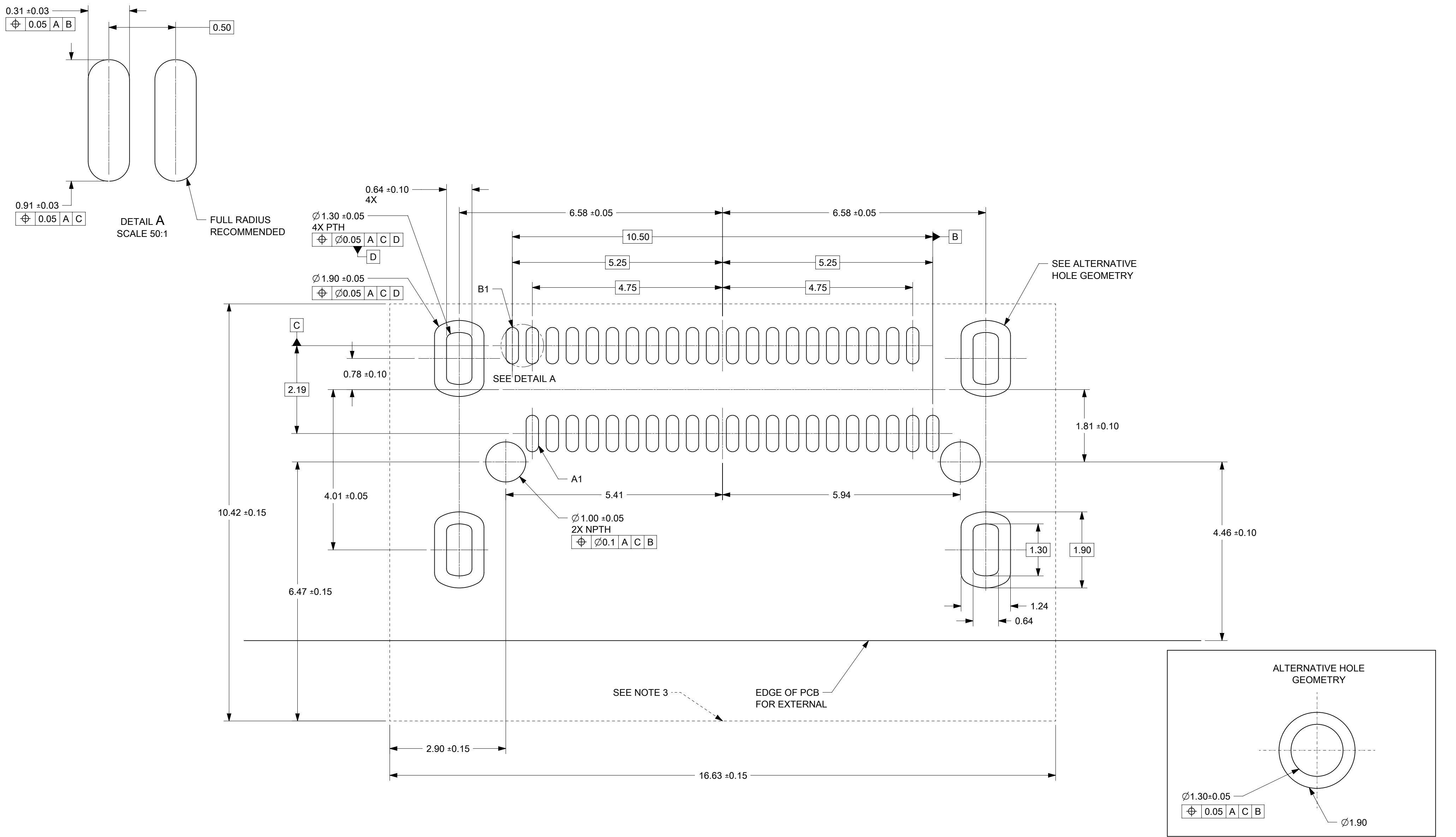
FUNCTIONAL SYMBOLS	THIS DRAWING CONTAINS INFORMATION THAT IS PROPRIETARY TO MOLEX ELECTRONIC TECHNOLOGIES, LLC AND SHOULD NOT BE USED WITHOUT WRITTEN PERMISSION			
	DIMENSION UNITS	SCALE	CURRENT REV DESC:	
$\frac{E}{A} = 0$	mm	10:1	EC NO: 672997	
$\frac{E}{C} = 0$	GENERAL TOLERANCES (UNLESS SPECIFIED)		DRWN: ABELD2 2021/07/05	
$\frac{E}{P} = 0$	ANGULAR TOL ± 0.5°		CHK'D: JKACHLIC 2021/08/30	
#####	4 PLACES ±		APPR: JKACHLIC 2021/08/30	
	3 PLACES ±		INITIAL REVISION:	
	2 PLACES ± 0.13		DRWN: MJANTELEZIO 2015/10/21	
	1 PLACE ± 0.25		APPR: MBANAKIS 2015/11/09	
	0 PLACES ±			
	DRAFT WHERE APPLICABLE MUST REMAIN WITHIN DIMENSIONS	THIRD ANGLE PROJECTION	DRAWING	SERIES
			C-SIZE	171982
			MATERIAL NUMBER	CUSTOMER
			SD-171982-1000	GENERAL MARKET
			DOCUMENT NUMBER	DOC TYPE   DOC PART   REVISION
			PSD	001   J2
			SHEET NUMBER	3 OF 6

**molex**

NANO-PITCH I/O  
RIGHT ANGLE 4X

PRODUCT CUSTOMER DRAWING

# 42 CIRCUIT TAIL RECOMMENDED FOOTPRINT

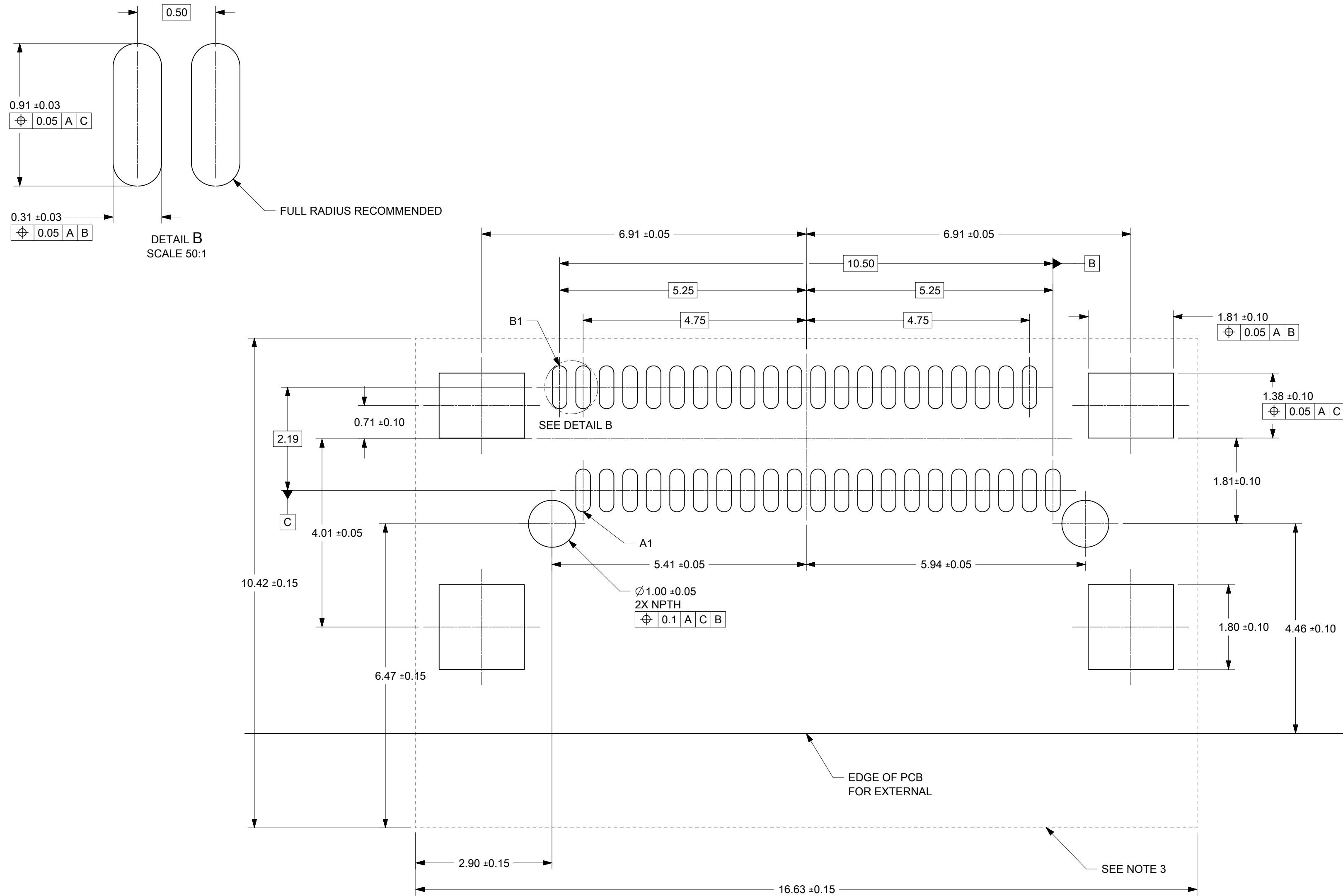


## NOTES:

1. MINIMUM RECOMMENDED SPACING BETWEEN ADJACENT CONNECTOR IS 19.05mm
2. MINIMUM RECOMMENDED PCB THICKNESS: 1.57mm
3. CONNECTOR KEEP OUT AREA
4. DATUM -A- ESTABLISHED FROM TOP SURFACE OF PCB

FUNCTIONAL SYMBOLS FA = 0 FC = 0 FP = 0 #####	THIS DRAWING CONTAINS INFORMATION THAT IS PROPRIETARY TO MOLEX ELECTRONIC TECHNOLOGIES, LLC AND SHOULD NOT BE USED WITHOUT WRITTEN PERMISSION		CURRENT REV DESC:		
	DIMENSION UNITS	SCALE			
	mm	15:1			NANO-PITCH I/O RIGHT ANGLE 4X
GENERAL TOLERANCES (UNLESS SPECIFIED)					
ANGULAR TOL ± 0.5°					PRODUCT CUSTOMER DRAWING
4 PLACES ±			EC NO: 672997		
3 PLACES ±			DRWN: ABELD2 2021/07/05		
2 PLACES ± 0.13			CHK'D: JKACHLIC 2021/08/30		
1 PLACE ± 0.25			APPR: JKACHLIC 2021/08/30		
0 PLACES ±			INITIAL REVISION:		
DRAFT WHERE APPLICABLE MUST REMAIN WITHIN DIMENSIONS			DRWN: MJANTELEZIO 2015/10/21		DOCUMENT NUMBER <b>SD-171982-1000</b>
THIRD ANGLE PROJECTION			APPR: MBANAKIS 2015/11/09		
DRAWING		SERIES	MATERIAL NUMBER	CUSTOMER	DOC TYPE   DOC PART   REVISION
C-SIZE		171982		GENERAL MARKET	PSD   001   J2
			SHEET NUMBER		
			4 OF 6		

# 42 CIRCUIT SMT RECOMMENDED FOOTPRINT



## NOTES:

1. MINIMUM RECOMMENDED SPACING BETWEEN ADJACENT CONNECTOR IS 19.05mm
2. MINIMUM RECOMMENDED PCB THICKNESS: 1.57mm
3. CONNECTOR KEEP OUT AREA
4. DATUM -A- ESTABLISHED FROM TOP SURFACE OF PCB

FUNCTIONAL SYMBOLS	THIS DRAWING CONTAINS INFORMATION THAT IS PROPRIETARY TO MOLEX ELECTRONIC TECHNOLOGIES, LLC AND SHOULD NOT BE USED WITHOUT WRITTEN PERMISSION		
	DIMENSION UNITS	SCALE	CURRENT REV DESC:
$\frac{F}{A} = 0$	mm	15:1	EC NO: 672997
$\frac{F}{C} = 0$	GENERAL TOLERANCES (UNLESS SPECIFIED)		DRWN: ABELD2 2021/07/05
$\frac{F}{P} = 0$	ANGULAR TOL ± 0.5°		CHK'D: JKACHLIC 2021/08/30
#####	4 PLACES	±	APPR: JKACHLIC 2021/08/30
	3 PLACES	±	INITIAL REVISION:
	2 PLACES	± 0.13	DRWN: MJANTELEZIO 2015/10/21
	1 PLACE	± 0.25	APPR: MBANAKIS 2015/11/09
	0 PLACES	±	
DRAFT WHERE APPLICABLE MUST REMAIN WITHIN DIMENSIONS	THIRD ANGLE PROJECTION	DRAWING	SERIES
		C-SIZE	171982
DOCUMENT STATUS		P1	RELEASE DATE
2021/08/30		09:41:22	
DOCUMENT NUMBER		CUSTOMER	SHEET NUMBER
SD-171982-1000		GENERAL MARKET	5 OF 6
DOC TYPE		DOC PART	REVISION
PSD		001	J2

