

REV.	DATE	DESCRIPTION
01	Jul. 05, '18	1st RELEASE

NOTES:

- CAGE: COPPER ALLOY
- HEAT SINK: ALUMINUM
- CLIP: STAINLESS STEEL
- UNSPECIFIED TOLERANCE: .XXX ±0.15
.XX ±0.25

1 2 3 4 5 6 7 8

A

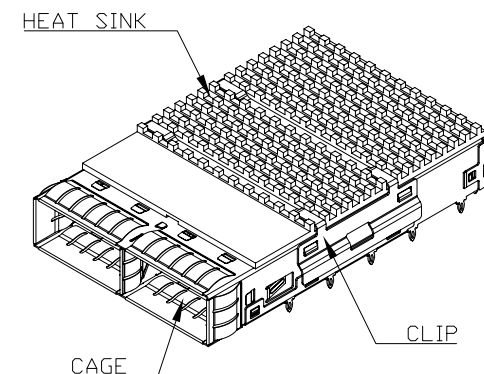
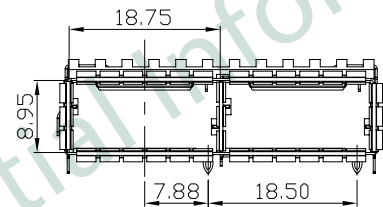
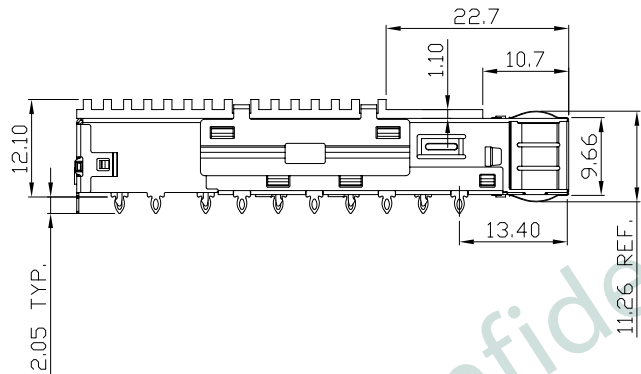
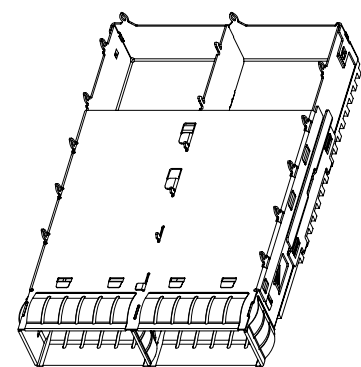
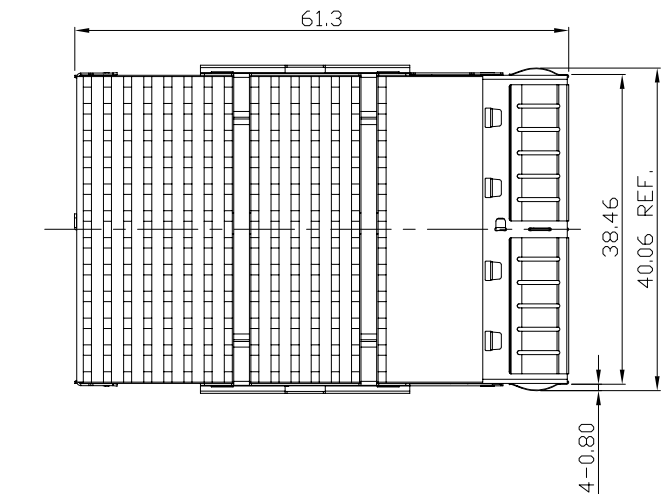
B

C

D

E

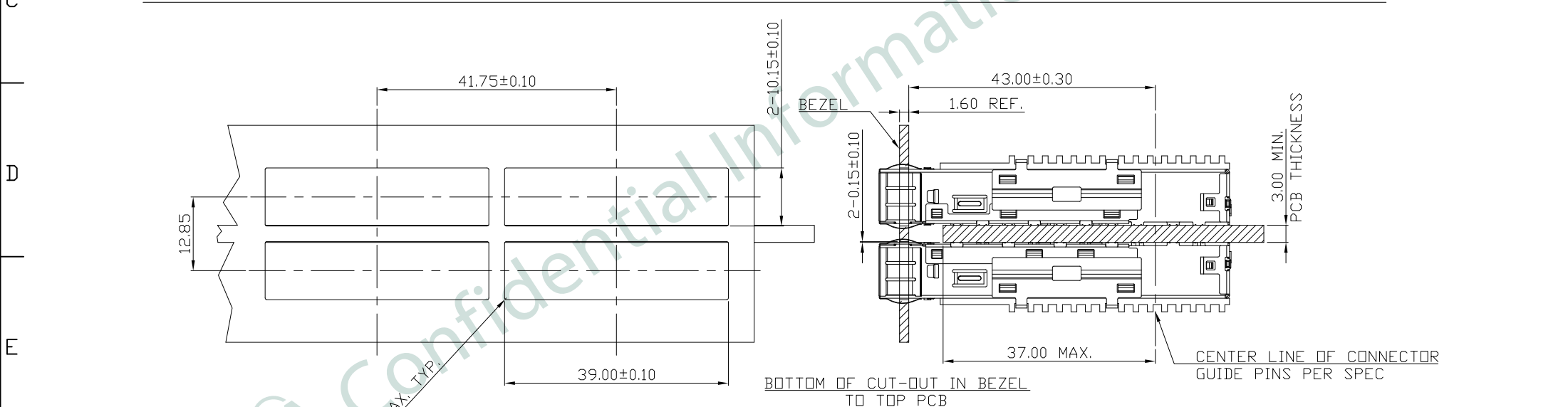
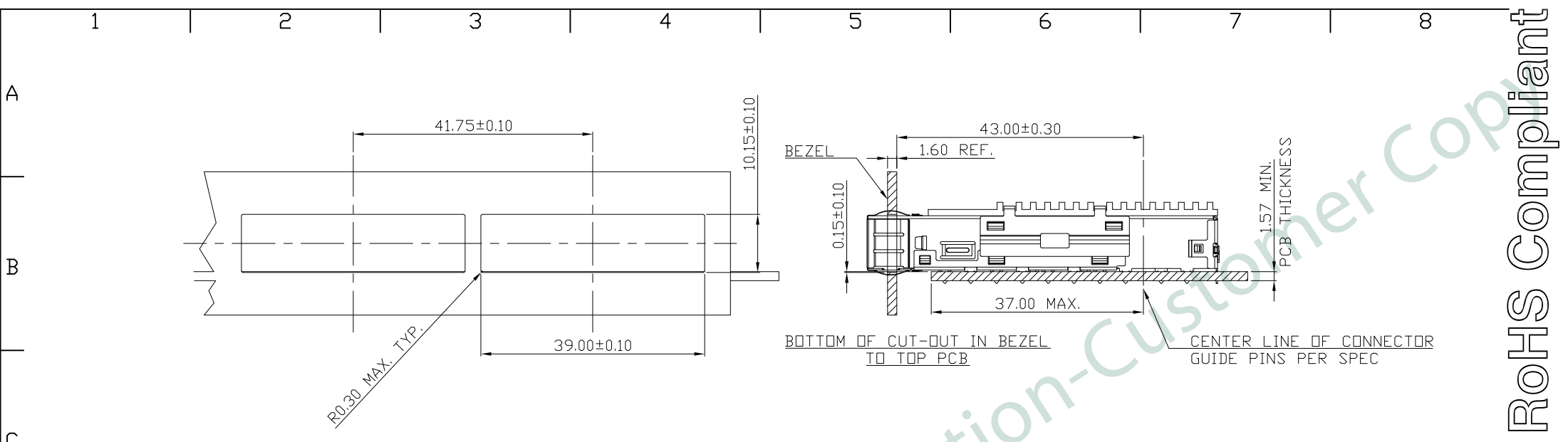
F



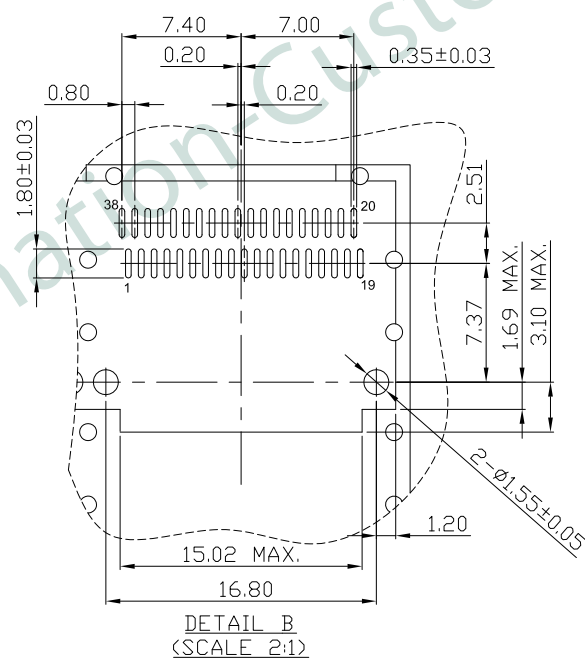
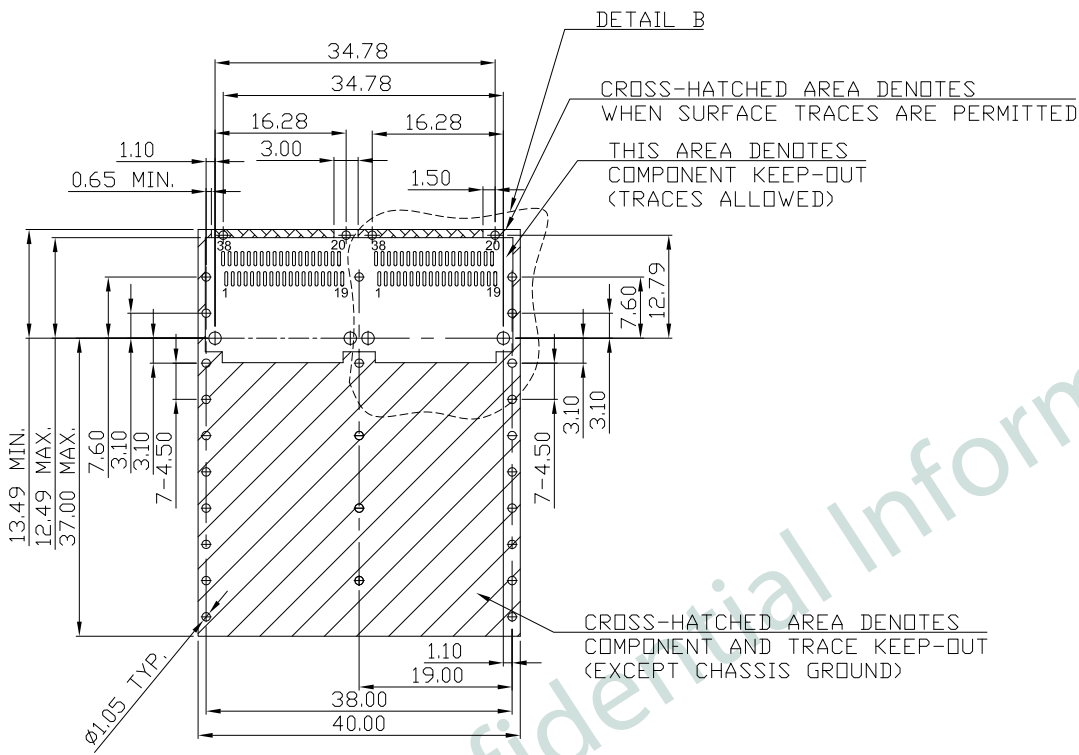
KQFP-A-ZPFT-0211

PRODUCT A: CAGE
 CATEGORY Z: QSFP 28
 TERMINAL / TYPE PF: PRESS FIT
 SERIAL NUMBER
 OPTION 1: W/O LIGHT PIPE, W/PCI WEIGHT HEATSINK
 NUMBER OF PART
 EMI TYPE T: THROUGH BEZEL

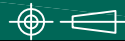
PART NO		KQFP-A-ZPFT-0211		
TITLE	QSFP 28 1X2 CAGE, HEAT SINK, PRESS FIT TYPE			
REV : 01				
UNIT	DRAWN	CHKD	DATE	SHEET
mm[inch]	CINDY	VINCENT	Jul. 05, '18	1 of 4



PART NO KQFP-A-ZPFT-0211				
TITLE	QSFP 28 1X2 CAGE, HEAT SINK, PRESS FIT TYPE			
REV : 01				
UNIT	DRAWN	CHKD	DATE	SHEET
mm[inch]	CINDY	VINCENT	Jul. 05, '18	2 of 4



RECOMMENDED PCB LAYOUT (COMPONENT SIDE)
 RECOMMENDED MINIMUM PCB THICKNESS: 3.00mm
 (ALL TOLERANCES ARE ±0.05)
 BELLY TO BELLY APPLICATIONS

 PART NO		KQFP-A-ZPFT-0211		
TITLE	QSFP 28 1X2 CAGE, HEAT SINK, PRESS FIT TYPE			
REV : 01				
UNIT	DRAWN	CHKD	DATE	SHEET
mm[inch]	CINDY	VINCENT	Jul. 05, '18	4 of 4