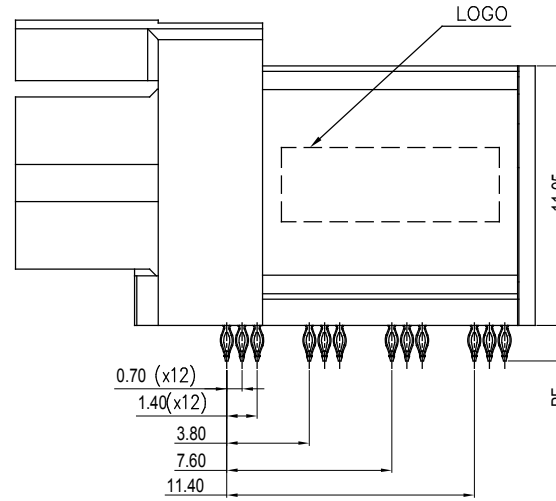
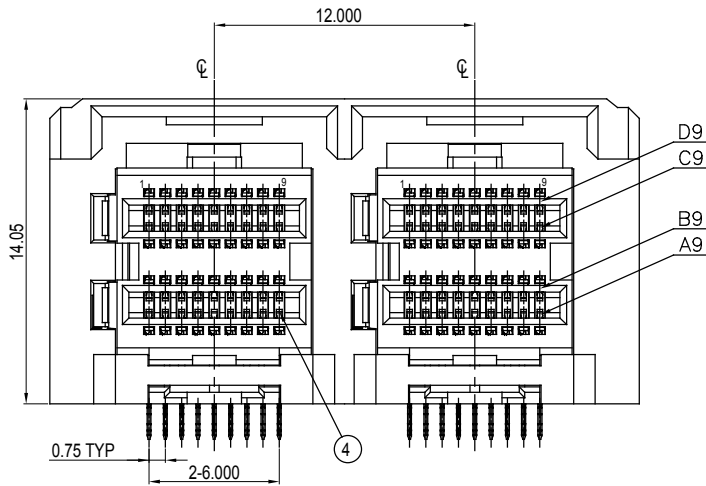


TOLERANCE UNLESS OTHERWISE SPECIFIED	
.X	±0.25
.XX	±0.15
.XXX	±0.10

THIS IS A C.A.D. GENERATED DRAWING  
DO NOT MAKE MANUAL REVISIONS TO MASTER.  
UNLESS OTHERWISE SPECIFIED, ALL RADIUS ARE 0.2 MM.



ISSUE NUMBER  
ORIGINAL ①



NOTES:

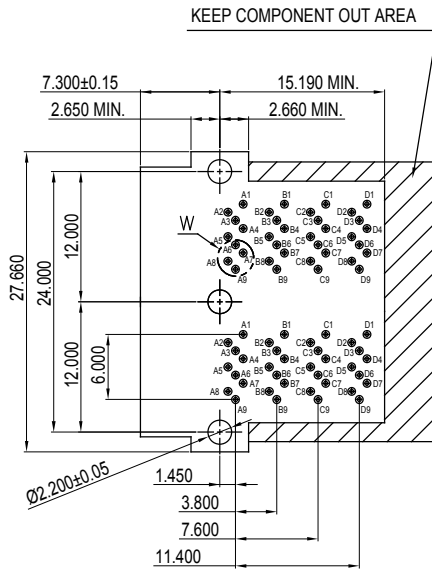
MATERIAL:

HOUSING:

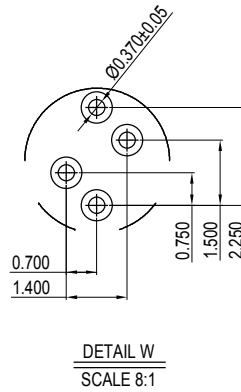
CONTACT:

COLOR:

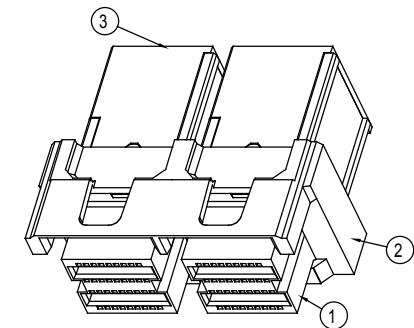
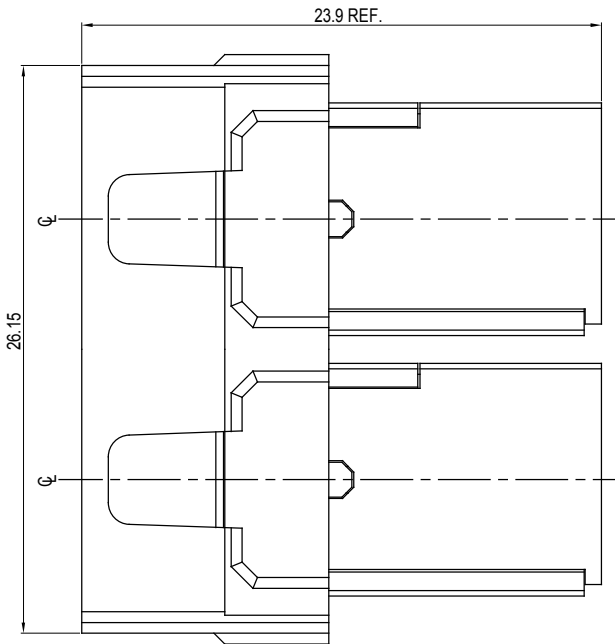
L.C.P HIGH TEMPERATURE GLASS,  
UL-94V-0  
COPPER ALLOY  
GOLD FLASH PLATING ON CONTACT AREA  
MATTE TIN PLATING ON SOLDER TAIL OVER  
NICKEL UNDER PLATING  
BLACK



RECOMMENDED PCB LAYOUT (TOP VIEW)  
TOLERANCE=±0.05mm



DETAIL W  
SCALE 8:1



MINI SAS HD INTERNAL, RIGHT ANGLE PRESS FIT,  
72 CONTACTS, FEMALE



EDAC INC  
TORONTO, ONTARIO  
CANADA  
YOUR CONNECTION TO QUALITY & SERVICE

THESE DRAWINGS AND SPECIFICATIONS  
ARE THE PROPERTY OF EDAC INC., AND  
SHALL NOT BE REPRODUCED, OR COPIED  
OR USED AS THE BASIS FOR THE  
MANUFACTURE OR SALE OF APPARATUS  
WITHOUT WRITTEN PERMISSION.

ACAD REFERENCE NO.: 902-072-225-002	
DRAWN: W.T	DATE: JULY.03 /2018
CHECKED:	DATE:
SCALE: N.T.S	SHEET 1 OF 1
DRAWING NUMBER: 902-072-225-002	ISSUE
PART NUMBER: 902-072-225-002	1



THIS SERIES FULLY CONFORMS TO  
THE EUROPEAN UNION DIRECTIVES  
2011/65/EU FOR RoHS COMPLIANCE.