

MATERIAL (RoHS COMPLIANT):

CAGE:
COPPER ALLOY

PLATING:(SEE PART NUMBER FOR OPTION)

OPTION1:100μ" [2.54 μm] MIN. BRIGHT TIN PLATING OVER 50 μ" (1.27 μm) MIN. NICKEL UNDER PLATING. (BRIGHT TIN SOLDER TEMPERATURE 230°C MAX.).

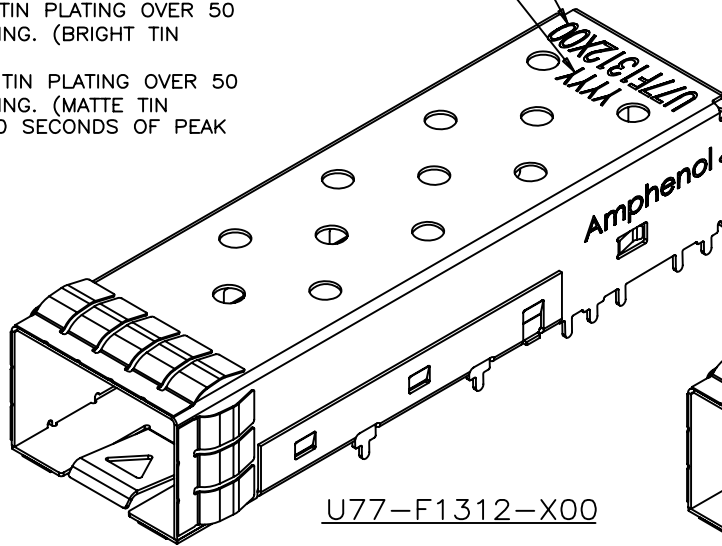
OPTION3: 100μ" [2.54 μm] MIN. MATTE TIN PLATING OVER 50 μ" (1.27 μm) MIN. NICKEL UNDER PLATING. (MATTE TIN SOLDER TEMPERATURE 245°C MAX. IN 10 SECONDS OF PEAK TIME,)

PACKAGING:
TAPE AND REEL OR TRAY PACKAGING.

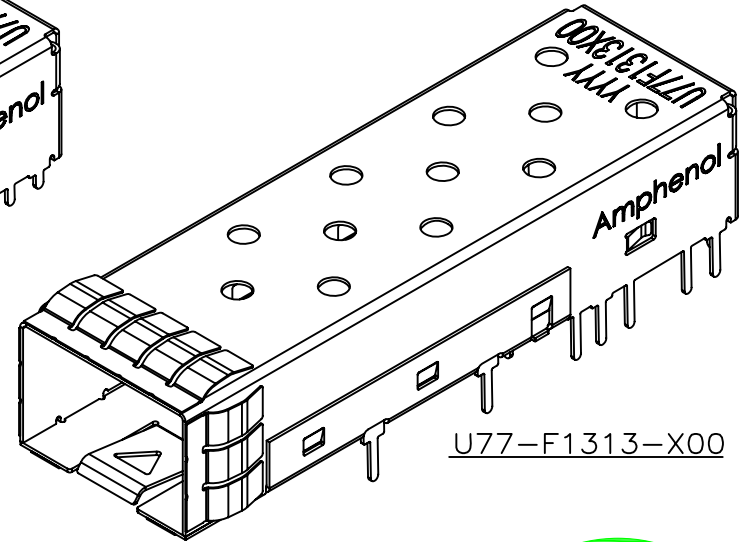
TEMPERATURE RANGE:
-40°C TO +85°C

PART NUMBER
(P/N DOES NOT INCLUDE
PACKAGING TYPE)

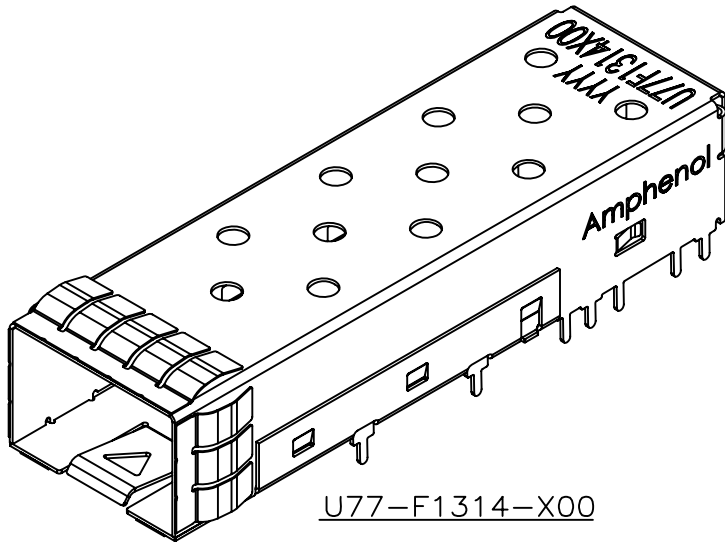
DATE CODE



U77-F1312-X00



U77-F1313-X00



U77-F1314-X00

REVISIONS				
SYM	ZONE	ECN, ERN NO.	DATE	APPRD.
A		UPDATED	OCT22/07	
B		UPDATED	JUL30/10	



AMPHENOL PART NUMBER CONFIGURATION

U77 - F 1 3 1 X - X 0 0 X

SOLDER TAIL HEIGHT

- 2 = 1.2 mm (20 SOLDER PINS)
- 3 = 3.2 mm (20 SOLDER PINS)
- 4 = 1.8 mm (20 SOLDER PINS)

PLATING

- 1 = BRIGHT TIN PLATING
- 3 = MATTE TIN PLATING

PACKAGING

- 1 = TRAY PACKAGING
(SEE PAGE 5 FOR DETAILS)
- T = TAPE & REEL PACKAGING
(STANDARD CAGE ORIENTATION)
(SEE PAGE 6 FOR DETAILS)

DRAWN	J.SI	DATE	OCT22/07
DESIGNED	J.SI	DATE	OCT22/07
CHECKED	X		
DWG. APPRD.			
ENG. REL. NO.			
REF.	X		
DIMENSIONS ARE IN	CODE ID. NO.		
INCHES [mm]	03554		

Amphenol Canada Corp.

TITLE
SFP-IPF SINGLE CAGE FOR PCI APPLICATION
WITH 20 SOLDER PINS

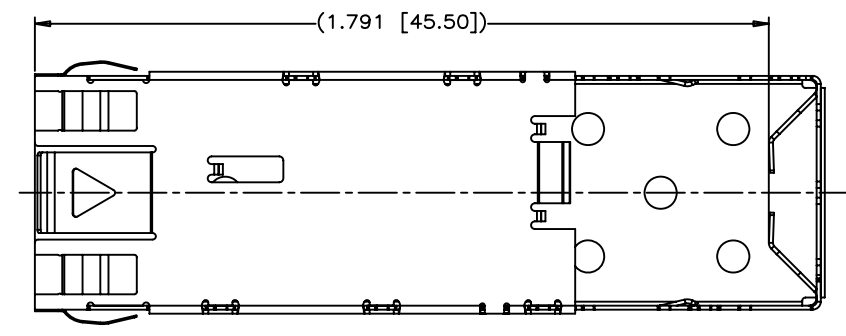
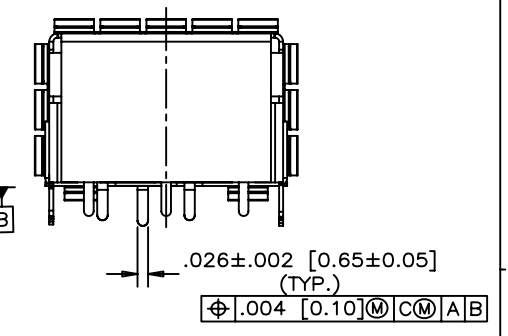
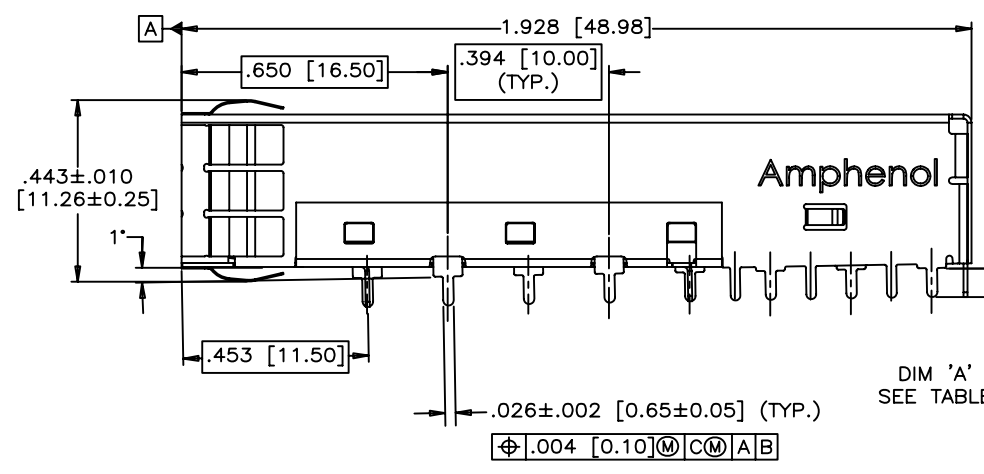
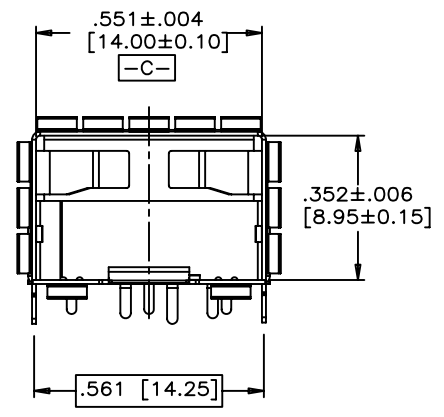
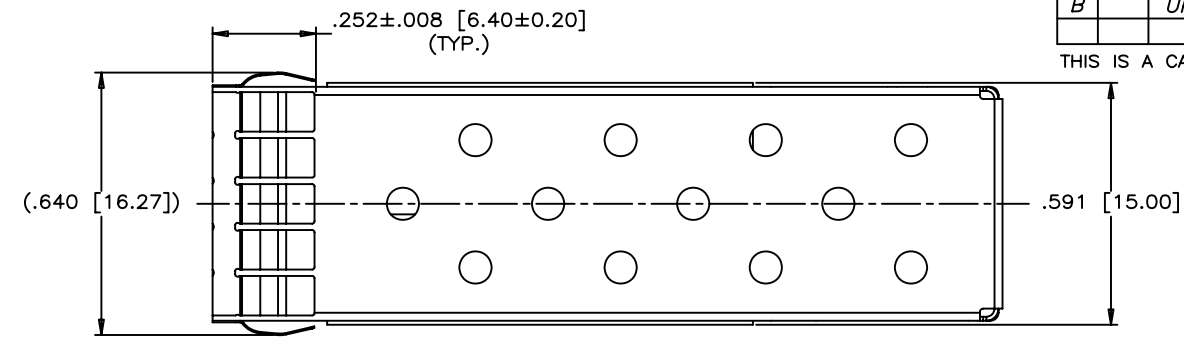
DWG. A DRAWING NO. P-U77-F131X-X00X REV. B

SCALE 2:1 WT. _____ SURF. _____ SHEET 1 OF 4

THIS DOCUMENT CONTAINS PROPRIETARY INFORMATION AND SUCH INFORMATION MAY NOT BE DISCLOSED TO OTHERS FOR ANY PURPOSE OR USED FOR MANUFACTURING PURPOSES WITHOUT WRITTEN PERMISSION FROM AMPHENOL CANADA CORP.

REVISIONS				
SYM	ZONE	ECN, ERN NO.	DATE	APPRD.
A		PROPOSAL	OCT22/07	
B		UPDATED	JUL30/10	

THIS IS A CAD DRAWING. DO NOT MANUALLY REVISE.



TABLE

PART NUMBER	SOLDER TAIL HEIGHT DIM 'A' (mm)
U77-F1312-X00X	1.20
U77-F1313-X00X	3.20
U77-F1314-X00X	1.80

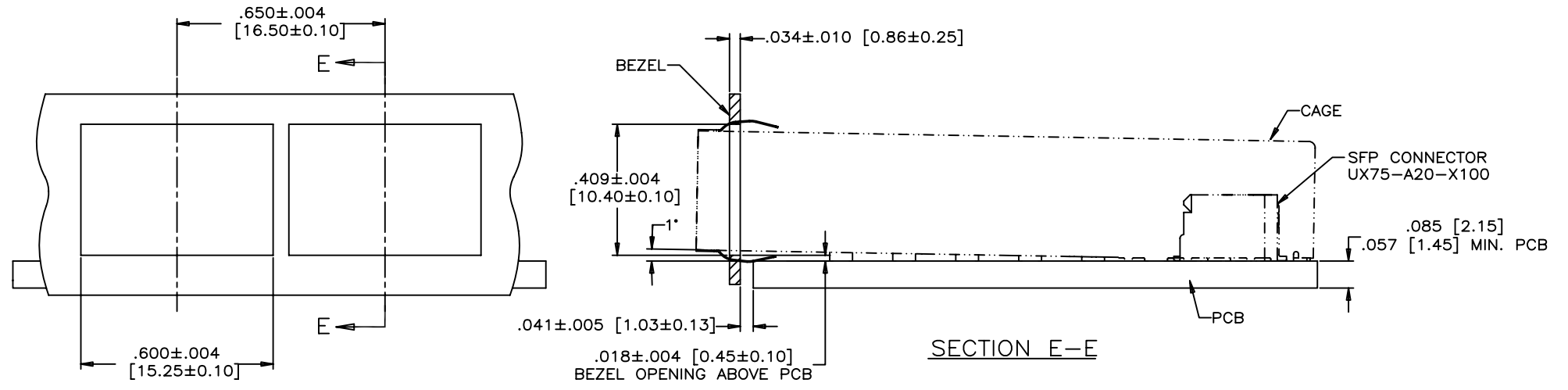
DRAWN	J.SI	DATE	OCT22/07
DESIGNED	J.SI	DATE	OCT22/07
CHECKED	X		
DWG. APPRD.			
ENG. REL. NO.			
REF.	X		
DIMENSIONS ARE IN	CODE ID. NO.		
INCHES [mm]	03554		

Amphenol Canada Corp.		
TITLE SFP-IPF SINGLE CAGE FOR PCI APPLICATION WITH 20 SOLDER PINS		
DWG	DRAWING NO.	REV.
A	P-U77-F131X-X00X	B
SCALE	WT.	SURF.
2:1		
SHEET 2 OF 4		

THIS DOCUMENT CONTAINS PROPRIETARY INFORMATION AND SUCH INFORMATION MAY NOT BE DISCLOSED TO OTHERS FOR ANY PURPOSE OR USED FOR MANUFACTURING PURPOSES WITHOUT WRITTEN PERMISSION FROM AMPHENOL CANADA CORP.

REVISIONS				
SYM	ZONE	ECN, ERN NO.	DATE	APPRD.
A		PROPOSAL	OCT22/07	
B		UPDATED	JUL30/10	

THIS IS A CAD DRAWING. DO NOT MANUALLY REVISE.



RECOMMENDED BEZEL DESIGN
(ONE SIDE CAGE MOUNTING)

SECTION E-E

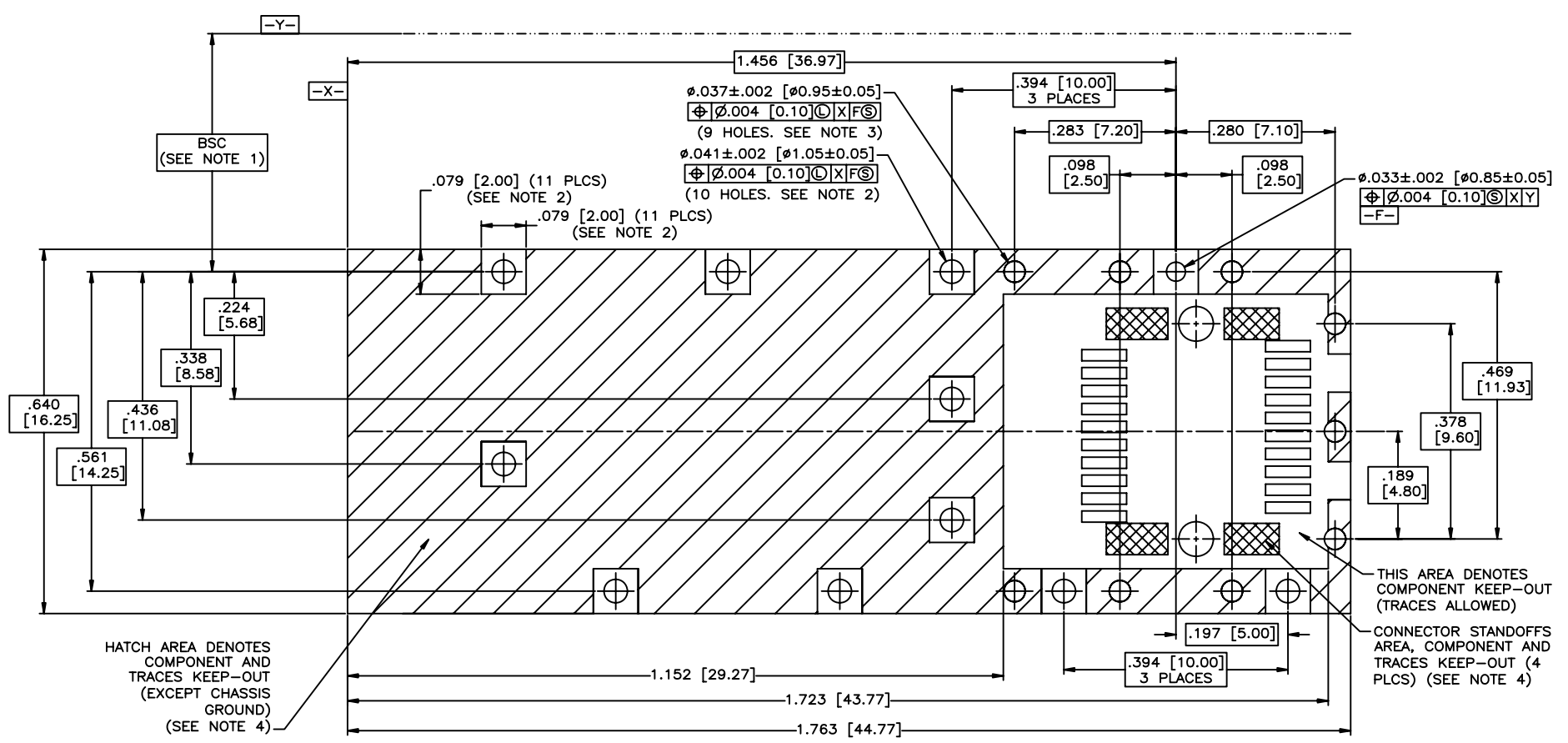
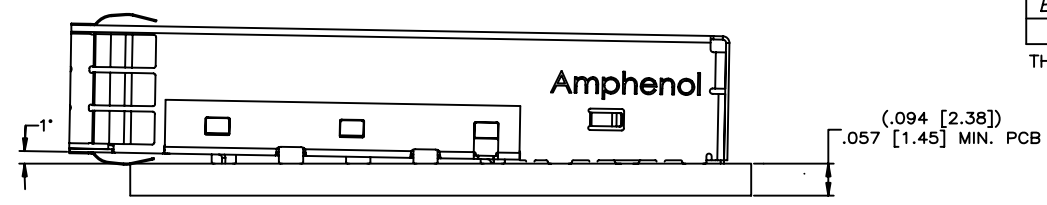
THIS DOCUMENT CONTAINS PROPRIETARY INFORMATION AND SUCH INFORMATION MAY NOT BE DISCLOSED TO OTHERS FOR ANY PURPOSE OR USED FOR MANUFACTURING PURPOSES WITHOUT WRITTEN PERMISSION FROM AMPHENOL CANADA CORP.

DRAWN	J.SI	DATE	OCT22/07	Amphenol Canada Corp.	
DESIGNED	J.SI	DATE	OCT22/07		
CHECKED	X				
DWG. APPRD.					
ENG. REL. NO.				TITLE	
REF.	X			SFP-IPF SINGLE CAGE FOR PCI APPLICATION WITH 20 SOLDER PINS	
DIMENSIONS ARE IN	INCHES [mm]	CODE ID. NO.	03554	DWG	DRAWING NO.
				A	P-U77-F131X-X00X
				SCALE	2:1
				WT.	
				SURF.	
				SHEET	3 OF 4
				REV.	B

- NOTES:
 1. DATUM AND BASIC DIMENSIONS ESTABLISHED BY CUSTOMER
 2. PADS AND VIAS ARE CHASSIS GROUND, 11 PLACES.
 3. THRU HOLES, PLATING OPTIONAL.
 4. SEE DRAWINGS P-U75-A20-X000X FOR CONNECTOR PCB LAYOUT.

REVISIONS				
SYM	ZONE	ECN, ERN NO.	DATE	APPRD.
A		PROPOSAL	OCT22/07	
B		UPDATED	JUL30/10	

THIS IS A CAD DRAWING. DO NOT MANUALLY REVISE.



RECOMMENDED SFP HOST BOARD LAYOUT
 (ONE SIDE CAGE MOUNTING)
 (SCALE 4:1)

DRAWN	J.SI	DATE	OCT22/07
DESIGNED	J.SI	DATE	OCT22/07
CHECKED	X		
DWG. APPRD.			
ENG. REL. NO.			
REF.	X		
DIMENSIONS ARE IN	INCHES [mm]	CODE ID. NO.	03554

Amphenol Canada Corp.		
TITLE SFP-IPF SINGLE CAGE FOR PCI APPLICATION WITH 20 SOLDER PINS		
DWG	DRAWING NO.	REV.
A	P-U77-F131X-X00X	B
SCALE	2:1	SHEET 4 OF 4

THIS DOCUMENT CONTAINS PROPRIETARY INFORMATION AND SUCH INFORMATION MAY NOT BE DISCLOSED TO OTHERS FOR ANY PURPOSE OR USED FOR MANUFACTURING PURPOSES WITHOUT WRITTEN PERMISSION FROM AMPHENOL CANADA CORP.