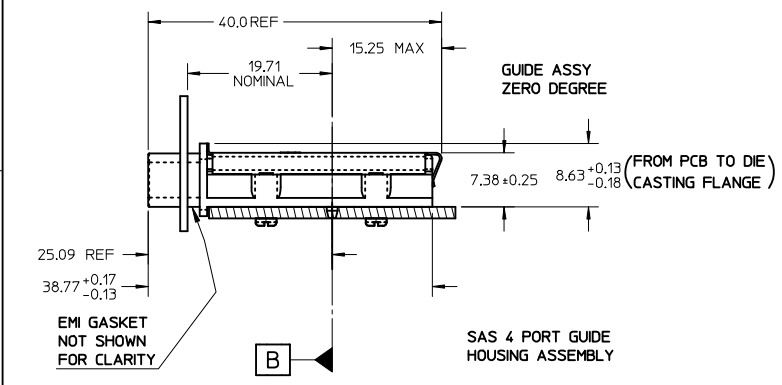


- NOTES:
1. PCB AND BRACKET SHOWN FOR REFERENCE ONLY.
 2. REF. SD-74547-100 FOR KEY POSITIONS
 3. GUIDE HOUSING MOUNTING THREAD= M2 X 0.40. SEE SHEET 3 FOR SCREW LENGTH + TORQUE SPEC.
 4. PLATE GROUND PAD WITH EMERSION SILVER OR GOLD.
 5. MATERIAL:
GUIDE HOUSING - ZINC DIECAST, NICKEL PLATED
COVER - STAINLESS STEEL
 6. NO RoHS EXEMPTIONS.
 7. GUIDE HOUSING PEGS FOR ALIGNMENT ONLY, DO NOT SOLDER.

| PART NUMBER | PORT SIZE | SW | OAW | KEY(S) PORT1 | KEY(S) PORT2 | KEY(S) PORT3 | KEY(S) PORT4 | IDENTIFIERS |
|-------------|-----------|-------|-------|--------------|--------------|--------------|--------------|-------------------------|
| 745480200 | 4 | 76.30 | 80.00 | 1 | 1 | 1 | 1 | SATA - 'X' CABLES |
| 745480203 | 4 | 76.30 | 80.00 | 2,4 | 2,4 | 2,4 | 2,4 | SAS OUT PORT/END DEVICE |
| 745480204 | 4 | 76.30 | 80.00 | 4,6 | 4,6 | 4,6 | 4,6 | SAS IN PORT/END DEVICE |
| 745480205 | 4 | 76.30 | 80.00 | 4 | 4 | 4 | 4 | SAS UNIVERSAL PORT |
| 745480212 | 4 | 76.30 | 80.00 | 7 | 7 | 7 | 7 | SATA - 'M' CABLES |
| 745480217 | 4 | 76.30 | 80.00 | 2 | 2 | 2 | 2 | SAS - OUT PORT |
| 745480220 | 4 | 76.30 | 80.00 | 6 | 6 | 6 | 6 | SAS - IN PORT |
| 745480304 | 4 | 76.30 | 80.00 | 2,7 | 2,7 | 2,7 | 2,7 | CX4 |
| 745480401 | 4 | 76.29 | 79.99 | 2,6 | 4 | 4 | 4 | CUSTOM |

IPASS IS A TRADE MARK OF MOLEX.



| | | | | | |
|--|---|--|--|--|--|
| SEE REVISION TABLE EC NO: CPG2015-0132 DRWN:SYANG16 2013/09/27 CHK:EWANG07 2014/08/15 APPR:RCHEN08 2014/08/19 | QUALITY SYMBOLS ▽=0 ▽=0 ▽=0 | GENERAL TOLERANCES (UNLESS SPECIFIED) mm INCH 4 PLACES ± --- ± --- 3 PLACES ± --- ± --- 2 PLACES ± 0.13 ± --- 1 PLACE ± 0.25 ± --- 0 PLACE ± ± | DIMENSION STYLE MM ONLY DRAWN BY SNAVARRO DATE 2006/05/26 CHECKED BY BREED DATE 2006/05/26 APPROVED BY DDOYE DATE 2006/05/26 | SCALE 1:1 DESIGN UNITS METRIC THIRD ANGLE PROJECTION | TITLE I-PASS 26 CKT ZERO DEG. EMI GUIDE RAIL HOUSING ASSEMBLY, MULTI PORT DOCUMENT NO. SD-74548-200 SHEET NO. 1 OF 4 |
| | ANGULAR ±1/2° DRAFT WHERE APPLICABLE MUST REMAIN WITHIN DIMENSIONS | MATERIAL NO. SEE TABLE | THIS DRAWING CONTAINS INFORMATION THAT IS PROPRIETARY TO MOLEX INCORPORATED AND SHOULD NOT BE USED WITHOUT WRITTEN PERMISSION | | |

10 9 8 7 6 5 4 3 2 1

F

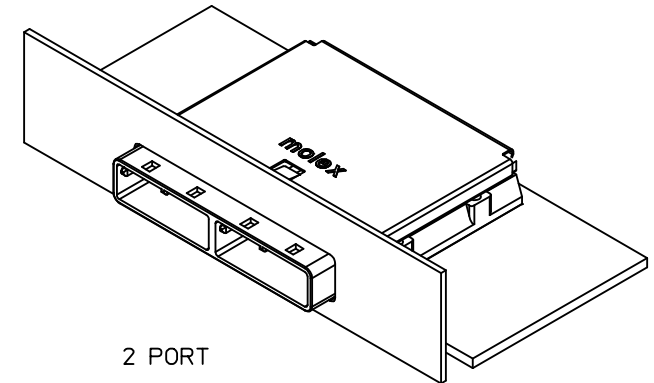
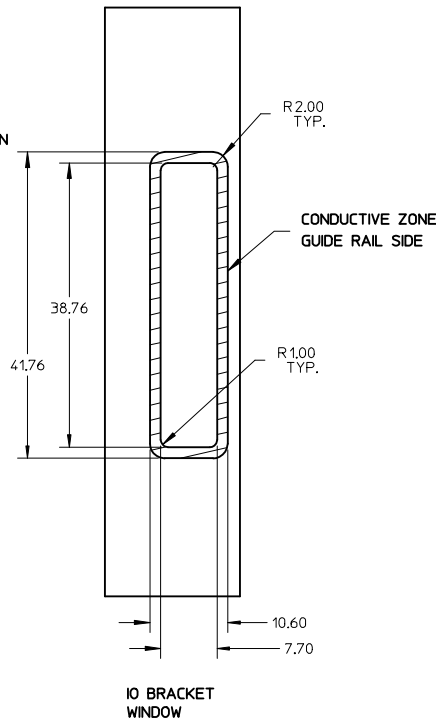
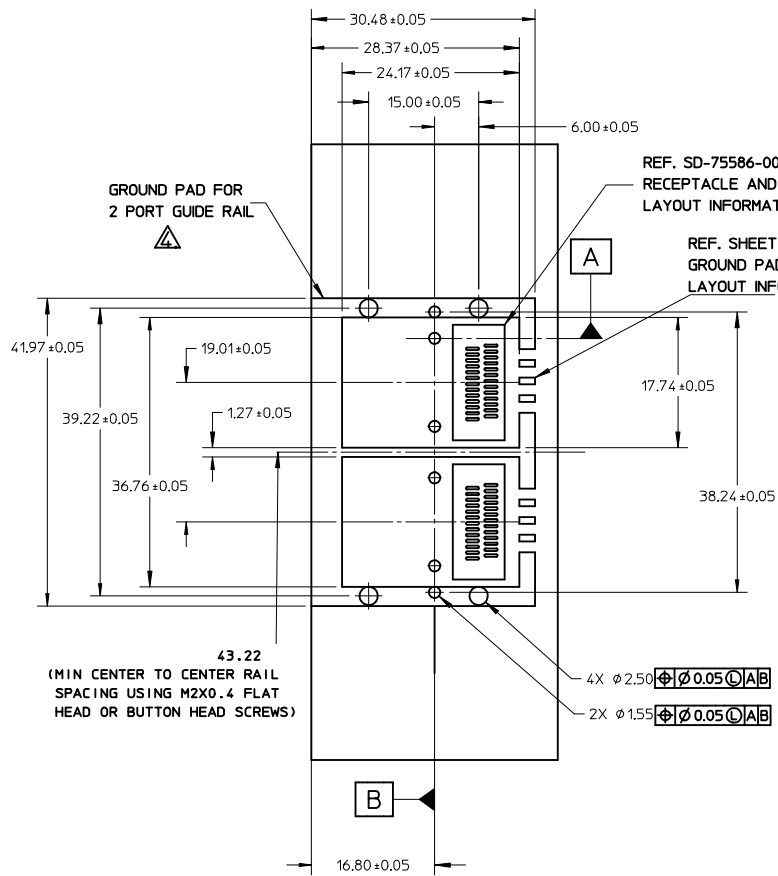
E

D

C

B

A

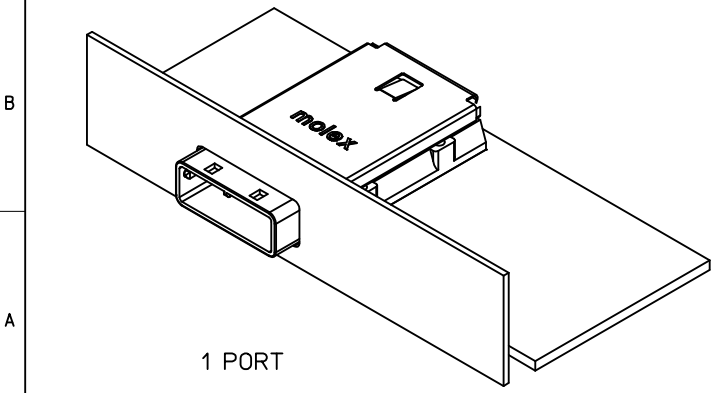
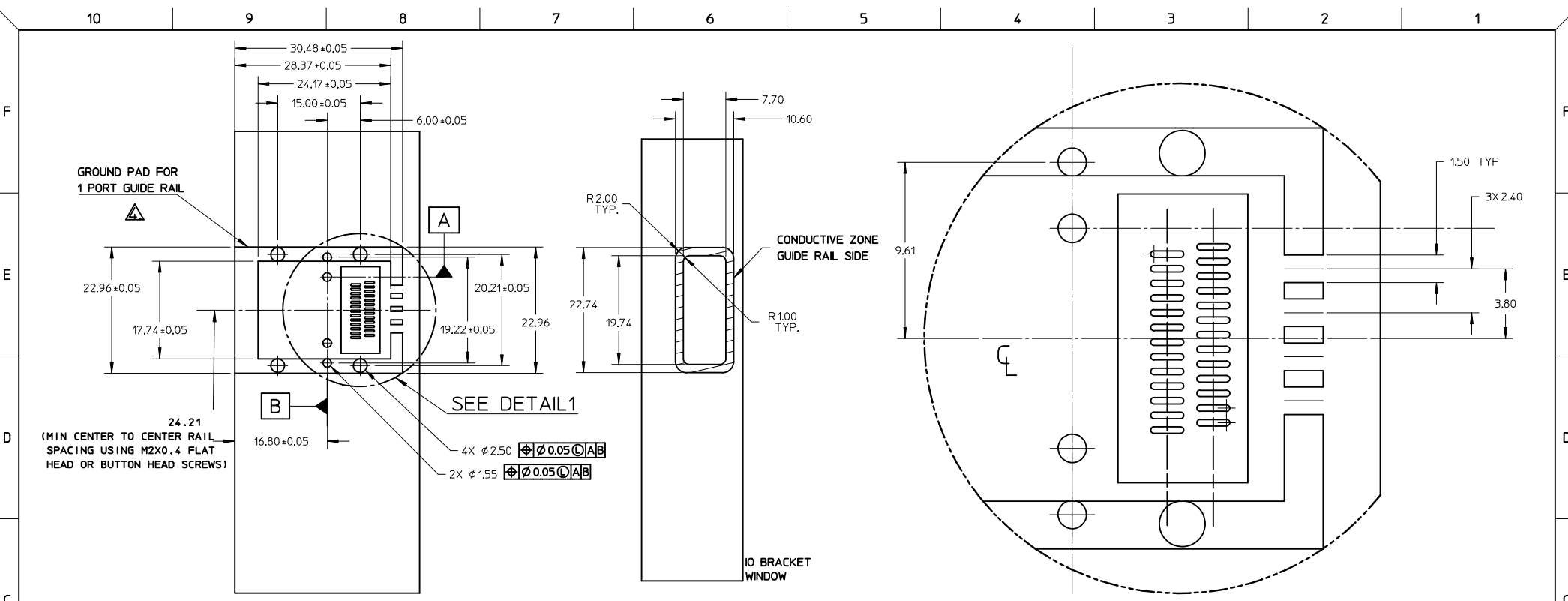


| PART NUMBER | PORT SIZE | SW | OAW | KEY(S) PORT1 | KEY(S) PORT2 | IDENTIFIERS |
|-------------|-----------|-------|-------|--------------|--------------|----------------------------|
| 745480202 | 2 | 38.26 | 41.96 | 1 | 1 | SATA - 'X' CABLES |
| 745480206 | 2 | 38.26 | 41.96 | 2,4 | 2,4 | SAS OUT PORT/END DEVICE |
| 745480207 | 2 | 38.26 | 41.96 | 4,6 | 4,6 | SAS IN PORT/END DEVICE |
| 745480208 | 2 | 38.26 | 41.96 | 4 | 4 | SAS UNIVERSAL PORT |
| 745480213 | 2 | 38.26 | 41.96 | 7 | 7 | SATA - 'M' CABLES |
| 745480215 | 2 | 38.26 | 41.96 | 4,6 | 2,4 | SAS IN PORT - SAS OUT PORT |
| 745480216 | 2 | 38.26 | 41.96 | 2,4 | 4,6 | SAS OUT PORT - SAS IN PORT |
| 745480218 | 2 | 38.26 | 41.96 | 2 | 2 | SAS - IN PORT |
| 745480221 | 2 | 38.26 | 41.96 | 6 | 6 | SAS - OUT PORT |
| 745480224 | 2 | 38.26 | 41.96 | 3 | 3 | SRIO |

I-PASS IS A TRADE MARK OF MOLEX.

| SEE REVISION TABLE | QUALITY SYMBOLS | GENERAL TOLERANCES (UNLESS SPECIFIED) | | DIMENSION STYLE | | SCALE | DESIGN UNITS | THIRD ANGLE PROJECTION | |
|--|-----------------|---------------------------------------|--------|-----------------|-------------|------------|---|------------------------|--|
| | | mm | INCH | MM ONLY | MM ONLY | 1:1 | METRIC | | |
| EC NO: CPG2015-0132 DRWN:SYANG16 2013/09/27 CHKD:EWANG07 2014/08/15 APPR:RCHEN08 2014/08/19 | $\nabla = 0$ | 4 PLACES | ± --- | ± --- | DRAWN BY | DATE | TITLE I-PASS 26 CKT ZERO DEG. EMI GUIDE RAIL HOUSING ASSEMBLY, MULTI PORT molex MATERIAL NO. SEE TABLE DOCUMENT NO. SD-74548-200 SHEET NO. 2 OF 4 | | |
| | $\nabla = 0$ | 3 PLACES | ± --- | ± --- | SNABARRO | 2006/05/26 | | | |
| | $\nabla = 0$ | 2 PLACES | ± 0.13 | ± --- | CHECKED BY | DATE | | | |
| | $\nabla = 0$ | 1 PLACE | ± 0.25 | ± --- | BREED | 2006/05/26 | | | |
| | $\nabla = 0$ | 0 PLACE | ± | ± | APPROVED BY | DATE | | | |
| | | ANGULAR ±1/2° | | | DDOYE | 2006/05/26 | | | |
| DRAFT WHERE APPLICABLE MUST REMAIN WITHIN DIMENSIONS | | | | SEE TABLE | | | | | |

9 8 7 6 5 4 3 2 1



DETAIL1
Scale 5:1

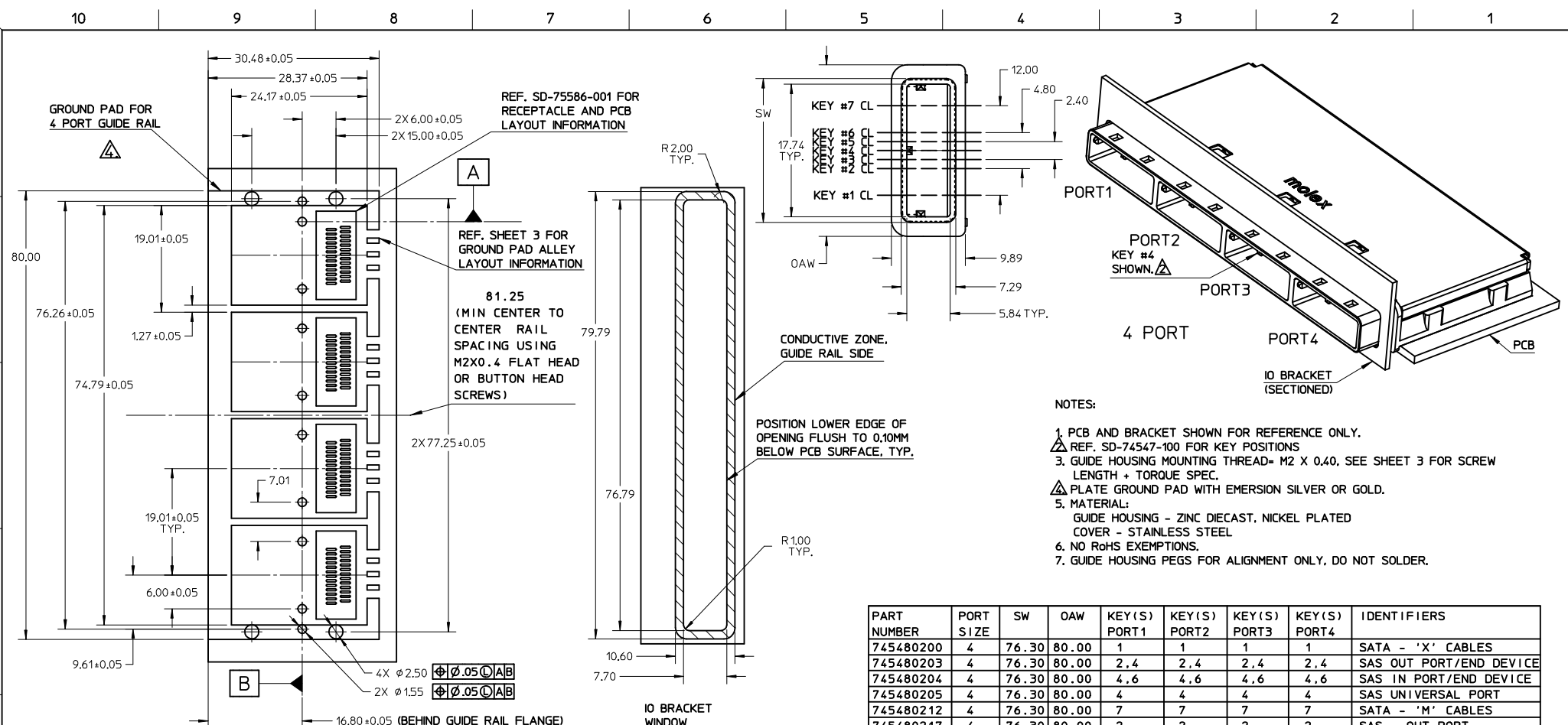
| PCB THICKNESS | SCREW LENGTH | TORQUE (IN LBS) |
|---------------|--------------|-----------------|
| 1.6 (.063') | 5MM | 2.3 |
| 2.38 (.093') | 6MM | 2.3 |
| 3.2 (.125') | 6MM | 2.3 |
| X | +4MM MAX | 2.3 |

| PART NUMBER | PORT SIZE | SW | OAW | KEY(S) | IDENTIFIERS |
|-------------|-----------|-------|-------|--------|-------------------------|
| 745480201 | 1 | 19.24 | 22.95 | 1 | SATA - 'X' CABLES |
| 745480209 | 1 | 19.24 | 22.95 | 2,4 | SAS OUT PORT/END DEVICE |
| 745480210 | 1 | 19.24 | 22.95 | 4,6 | SAS IN PORT/END DEVICE |
| 745480211 | 1 | 19.24 | 22.95 | 4 | SAS UNIVERSAL PORT |
| 745480214 | 1 | 19.24 | 22.95 | 7 | SATA - 'M' CABLES |
| 745480219 | 1 | 19.24 | 22.95 | 2 | SAS OUT PORT |
| 745480222 | 1 | 19.24 | 22.95 | 6 | SAS IN PORT |
| 745480225 | 1 | 19.24 | 22.95 | 3 | SR10 |
| 745480229 | 1 | 19.24 | 22.95 | 2,7 | CX4 |

| QUALITY SYMBOLS | GENERAL TOLERANCES (UNLESS SPECIFIED) | | DIMENSION STYLE | | SCALE | DESIGN UNITS | THIRD ANGLE PROJECTION |
|--|---------------------------------------|--------------|-----------------|---|--|--------------|------------------------|
| | mm | INCH | MM ONLY | | 1:1 | METRIC | |
| F=0 | 4 PLACES ±--- | ±--- | DRAWN BY | DATE | TITLE I-PASS 26 CKT ZERO DEG. EMI GUIDE RAIL HOUSING ASSEMBLY, MULTI PORT | | |
| F=0 | 3 PLACES ±--- | ±--- | SNAVARRO | 2006/05/26 | | | |
| F=0 | 2 PLACES ±0.13 | ±--- | CHECKED BY | DATE | DOCUMENT NO. SD-74548-200 | | |
| F=0 | 1 PLACE ±0.25 | ±--- | BREED | 2006/05/26 | | | |
| F=0 | 0 PLACE ± | ± | APPROVED BY | DATE | SHEET NO. 3 OF 4 | | |
| | | | DDOYE | 2006/05/26 | | | |
| ANGULAR ±1/2° | | MATERIAL NO. | | SEE TABLE | | | |
| DRAFT WHERE APPLICABLE MUST REMAIN WITHIN DIMENSIONS | | SIZE B | | THIS DRAWING CONTAINS INFORMATION THAT IS PROPRIETARY TO MOLEX INCORPORATED AND SHOULD NOT BE USED WITHOUT WRITTEN PERMISSION | | | |

| DATE | REV | DESCRIPTION |
|------------|-----|---|
| 2014/08/14 | U | 1.CHANGED 40.0 TO 40.0 REF $\text{\textcircled{0}B9}$ [SHEET 1] 2.CHANGED DIM 25.09 TO 25.09 REF $\text{\textcircled{0}A10}$ BASED ON SFF-8088 [SHEET 1] 3.ADDED NOTE FOR DIM 8.63 +0.13/-0.18 $\text{\textcircled{0}A7}$ [SHEET 1] 4.ADDED DIM 15.25MAX $\text{\textcircled{0}B9}$ BASED ON SFF-8088 [SHEET 1] 5.ADDED REVISION HISTORY [SHEET 4]. 6.CHANGED ALL LOCATIONS OF DIMENSION MULTIPLIERS. (EX: "YY(3)" TO "3X YY") |
| | | |
| | | |
| | | |
| | | |

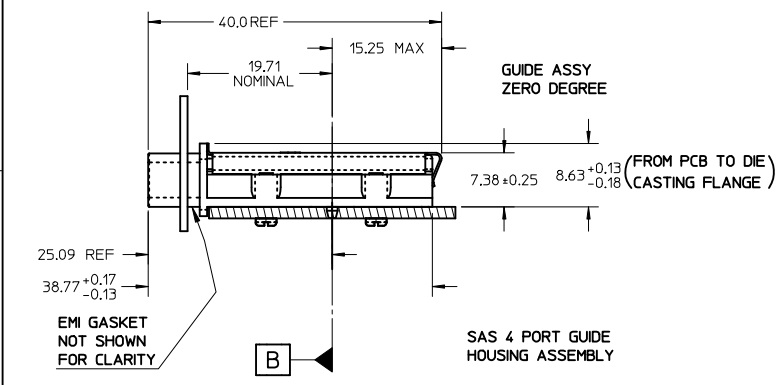
| | | | | | | | |
|---|--|---------------------------------------|---|--|--------------|------------------------|--|
| SEE REVISION TABLE EC NO: CPG2015-0132 U DRWN:SYANG16 2013/09/27 CHKD:EWANG07 2014/08/15 APPR:RCHEN08 2014/08/19 | QUALITY SYMBOLS | GENERAL TOLERANCES (UNLESS SPECIFIED) | DIMENSION STYLE | SCALE | DESIGN UNITS | THIRD ANGLE PROJECTION | |
| | $\nabla = 0$ | mm INCH | MM ONLY | 1:1 | METRIC | | |
| | $\nabla = 0$ | 4 PLACES ± --- ± --- | DRAWN BY DATE | TITLE I-PASS 26 CKT ZERO DEG. EMI GUIDE RAIL HOUSING ASSEMBLY, MULTI PORT | | | |
| | $\nabla = 0$ | 3 PLACES ± --- ± --- | SNAVARRO 2006/05/26 | | | | |
| | $\nabla = 0$ | 2 PLACES ± 0.13 ± --- | CHECKED BY DATE | DOCUMENT NO. SD-74548-200 SHEET NO. 4 OF 4 | | | |
| $\nabla = 0$ | 1 PLACE ± 0.25 ± --- | BREED 2006/05/26 | | | | | |
| $\nabla = 0$ | 0 PLACE ± ± | APPROVED BY DATE | MATERIAL NO. SEE TABLE | | | | |
| | ANGULAR ± 1/2° | DDOYE 2006/05/26 | | | | | |
| | DRAFT WHERE APPLICABLE MUST REMAIN WITHIN DIMENSIONS | SIZE B | THIS DRAWING CONTAINS INFORMATION THAT IS PROPRIETARY TO MOLEX INCORPORATED AND SHOULD NOT BE USED WITHOUT WRITTEN PERMISSION | | | | |



- NOTES:
1. PCB AND BRACKET SHOWN FOR REFERENCE ONLY.
 2. REF. SD-74547-100 FOR KEY POSITIONS
 3. GUIDE HOUSING MOUNTING THREAD= M2 X 0.40. SEE SHEET 3 FOR SCREW LENGTH + TORQUE SPEC.
 4. PLATE GROUND PAD WITH EMERSION SILVER OR GOLD.
 5. MATERIAL:
GUIDE HOUSING - ZINC DIECAST, NICKEL PLATED
COVER - STAINLESS STEEL
 6. NO RoHS EXEMPTIONS.
 7. GUIDE HOUSING PEGS FOR ALIGNMENT ONLY, DO NOT SOLDER.

| PART NUMBER | PORT SIZE | SW | OAW | KEY(S) PORT1 | KEY(S) PORT2 | KEY(S) PORT3 | KEY(S) PORT4 | IDENTIFIERS |
|-------------|-----------|-------|-------|--------------|--------------|--------------|--------------|-------------------------|
| 745480200 | 4 | 76.30 | 80.00 | 1 | 1 | 1 | 1 | SATA - 'X' CABLES |
| 745480203 | 4 | 76.30 | 80.00 | 2,4 | 2,4 | 2,4 | 2,4 | SAS OUT PORT/END DEVICE |
| 745480204 | 4 | 76.30 | 80.00 | 4,6 | 4,6 | 4,6 | 4,6 | SAS IN PORT/END DEVICE |
| 745480205 | 4 | 76.30 | 80.00 | 4 | 4 | 4 | 4 | SAS UNIVERSAL PORT |
| 745480212 | 4 | 76.30 | 80.00 | 7 | 7 | 7 | 7 | SATA - 'M' CABLES |
| 745480217 | 4 | 76.30 | 80.00 | 2 | 2 | 2 | 2 | SAS - OUT PORT |
| 745480220 | 4 | 76.30 | 80.00 | 6 | 6 | 6 | 6 | SAS - IN PORT |
| 745480304 | 4 | 76.30 | 80.00 | 2,7 | 2,7 | 2,7 | 2,7 | CX4 |
| 745480401 | 4 | 76.29 | 79.99 | 2,6 | 4 | 4 | 4 | CUSTOM |

IPASS IS A TRADE MARK OF MOLEX.



| | | | | | |
|--|---|--|--|--|---|
| SEE REVISION TABLE EC NO: CPG2015-0132 DRWN:SYANG16 2013/09/27 CHK:EWANG07 2014/08/15 APPR:RCHEN08 2014/08/19 | QUALITY SYMBOLS ▽=0 ▽=0 ▽=0 | GENERAL TOLERANCES (UNLESS SPECIFIED) mm INCH 4 PLACES ± --- ± --- 3 PLACES ± --- ± --- 2 PLACES ± 0.13 ± --- 1 PLACE ± 0.25 ± --- 0 PLACE ± ± | DIMENSION STYLE MM ONLY DRAWN BY SNAVARRO DATE 2006/05/26 CHECKED BY BREED DATE 2006/05/26 APPROVED BY DDOYE DATE 2006/05/26 | SCALE 1:1 DESIGN UNITS METRIC THIRD ANGLE PROJECTION | TITLE I-PASS 26 CKT ZERO DEG. EMI GUIDE RAIL HOUSING ASSEMBLY, MULTI PORT |
| | ANGULAR ±1/2° DRAFT WHERE APPLICABLE MUST REMAIN WITHIN DIMENSIONS | MATERIAL NO. SEE TABLE | DOCUMENT NO. SD-74548-200 | SHEET NO. 1 OF 4 | |
| | THIS DRAWING CONTAINS INFORMATION THAT IS PROPRIETARY TO MOLEX INCORPORATED AND SHOULD NOT BE USED WITHOUT WRITTEN PERMISSION | | | | |
| | SIZE B | | | | |

10 9 8 7 6 5 4 3 2 1

F

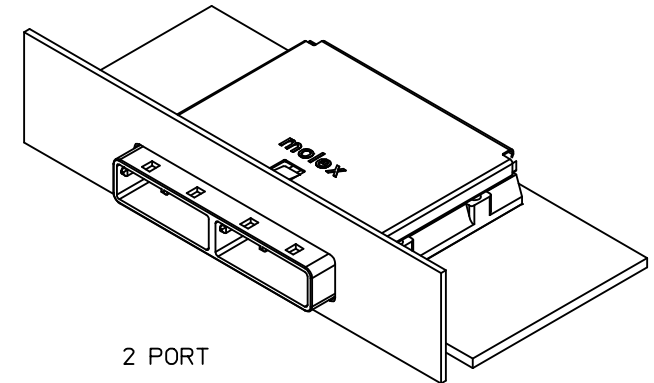
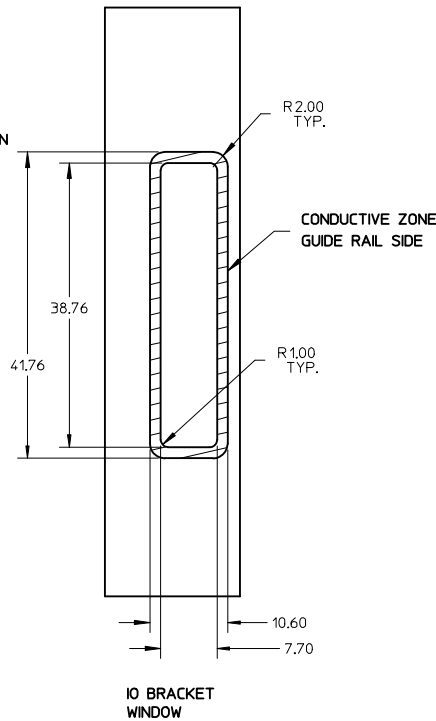
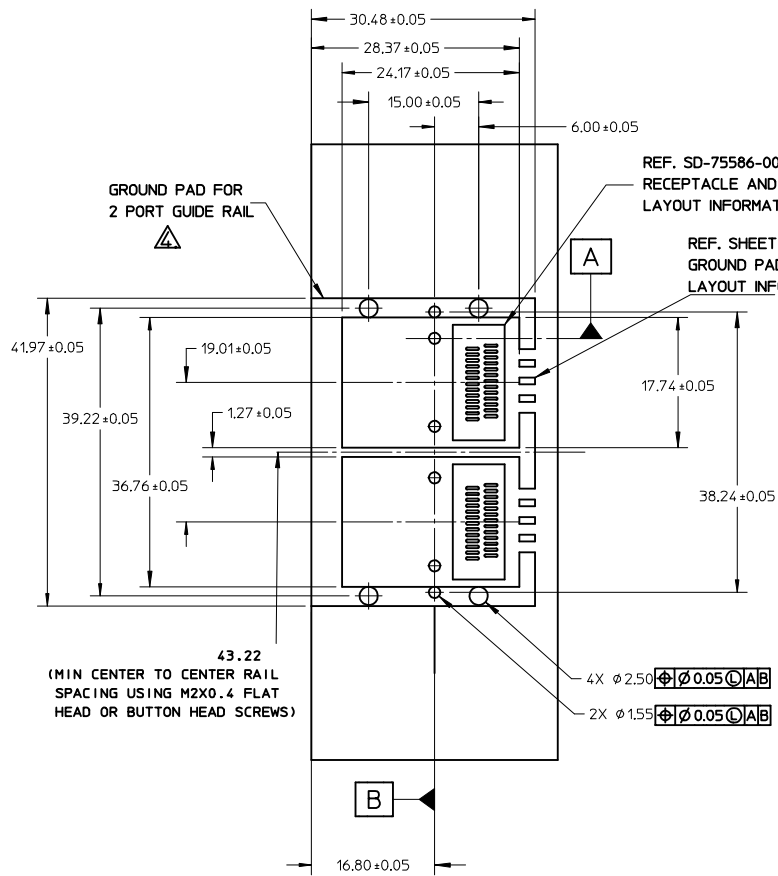
E

D

C

B

A

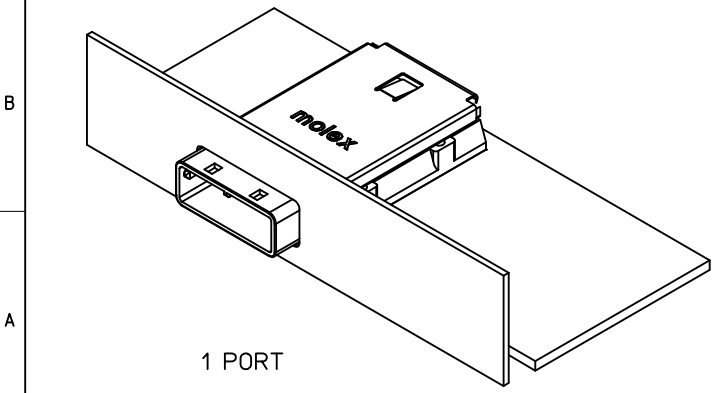
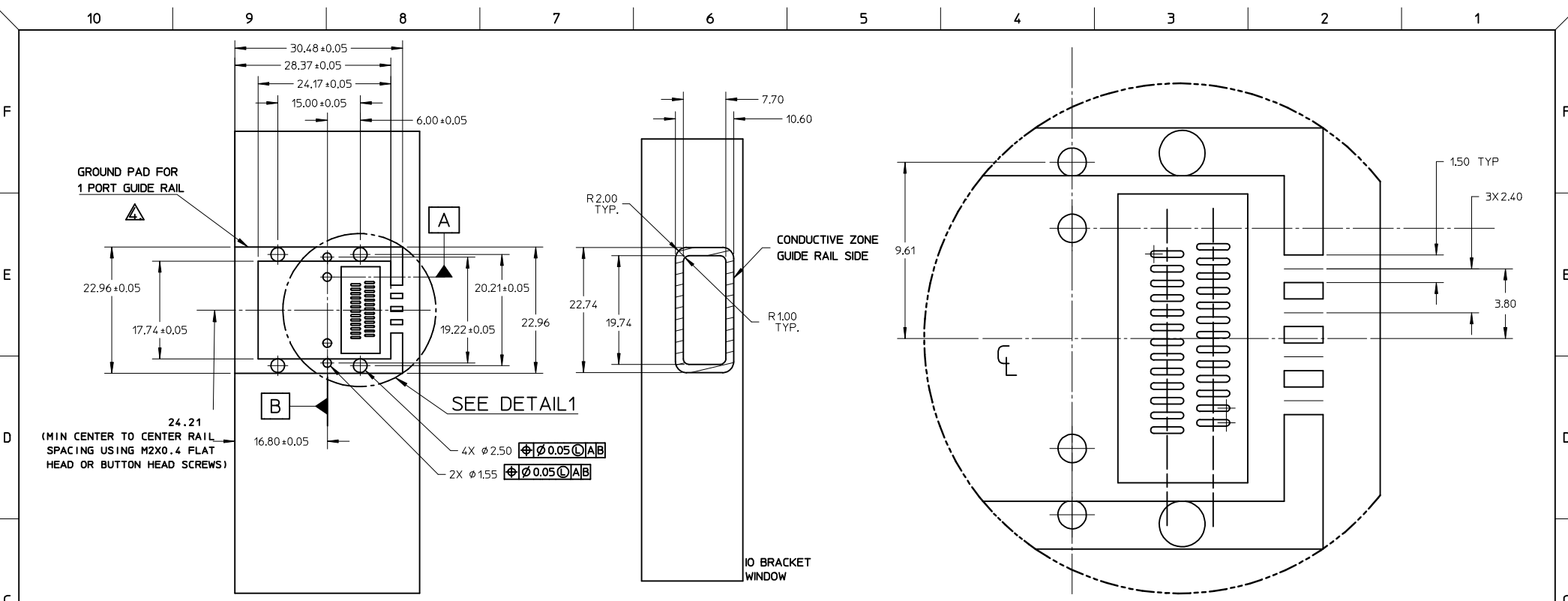


| PART NUMBER | PORT SIZE | SW | OAW | KEY(S) PORT1 | KEY(S) PORT2 | IDENTIFIERS |
|-------------|-----------|-------|-------|--------------|--------------|----------------------------|
| 745480202 | 2 | 38.26 | 41.96 | 1 | 1 | SATA - 'X' CABLES |
| 745480206 | 2 | 38.26 | 41.96 | 2,4 | 2,4 | SAS OUT PORT/END DEVICE |
| 745480207 | 2 | 38.26 | 41.96 | 4,6 | 4,6 | SAS IN PORT/END DEVICE |
| 745480208 | 2 | 38.26 | 41.96 | 4 | 4 | SAS UNIVERSAL PORT |
| 745480213 | 2 | 38.26 | 41.96 | 7 | 7 | SATA - 'M' CABLES |
| 745480215 | 2 | 38.26 | 41.96 | 4,6 | 2,4 | SAS IN PORT - SAS OUT PORT |
| 745480216 | 2 | 38.26 | 41.96 | 2,4 | 4,6 | SAS OUT PORT - SAS IN PORT |
| 745480218 | 2 | 38.26 | 41.96 | 2 | 2 | SAS - IN PORT |
| 745480221 | 2 | 38.26 | 41.96 | 6 | 6 | SAS - OUT PORT |
| 745480224 | 2 | 38.26 | 41.96 | 3 | 3 | SRIO |

I-PASS IS A TRADE MARK OF MOLEX.

| REV | DESCRIPTION | QUALITY SYMBOLS | GENERAL TOLERANCES (UNLESS SPECIFIED) | | DIMENSION STYLE | | SCALE | DESIGN UNITS | THIRD ANGLE PROJECTION |
|-----|-------------------------|-----------------|---|--------|-----------------|--------------|--------------|--------------|---|
| | | | mm | INCH | MM ONLY | 1:1 | METRIC | | |
| 1 | SEE REVISION TABLE | ▽=0 | 4 PLACES | ± --- | ± --- | DRAWN BY | DATE | TITLE | I-PASS 26 CKT ZERO DEG. EMI GUIDE RAIL HOUSING ASSEMBLY, MULTI PORT molex |
| 2 | EC NO: CPG2015-0132 | ▽=0 | 3 PLACES | ± --- | ± --- | SNABARRO | 2006/05/26 | | |
| 3 | DRWN:SYANG16 2013/09/27 | ▽=0 | 2 PLACES | ± 0.13 | ± --- | CHECKED BY | DATE | | |
| 4 | CHKD:EWANG07 2014/08/15 | ▽=0 | 1 PLACE | ± 0.25 | ± --- | BREED | 2006/05/26 | | |
| 5 | APPR:RCHEN08 2014/08/19 | ▽=0 | 0 PLACE | ± | ± | APPROVED BY | DATE | | |
| | | | ANGULAR ±1/2° | | | MATERIAL NO. | DOCUMENT NO. | SHEET NO. | |
| | | | DRAFT WHERE APPLICABLE MUST REMAIN WITHIN DIMENSIONS | | | SEE TABLE | SD-74548-200 | 2 OF 4 | |
| | | | THIS DRAWING CONTAINS INFORMATION THAT IS PROPRIETARY TO MOLEX INCORPORATED AND SHOULD NOT BE USED WITHOUT WRITTEN PERMISSION | | | | | | |

9 8 7 6 5 4 3 2 1



DETAIL1
Scale 5:1

| PART NUMBER | PORT SIZE | SW | OAW | KEY(S) | IDENTIFIERS |
|-------------|-----------|-------|-------|--------|-------------------------|
| 745480201 | 1 | 19.24 | 22.95 | 1 | SATA - 'X' CABLES |
| 745480209 | 1 | 19.24 | 22.95 | 2,4 | SAS OUT PORT/END DEVICE |
| 745480210 | 1 | 19.24 | 22.95 | 4,6 | SAS IN PORT/END DEVICE |
| 745480211 | 1 | 19.24 | 22.95 | 4 | SAS UNIVERSAL PORT |
| 745480214 | 1 | 19.24 | 22.95 | 7 | SATA - 'M' CABLES |
| 745480219 | 1 | 19.24 | 22.95 | 2 | SAS OUT PORT |
| 745480222 | 1 | 19.24 | 22.95 | 6 | SAS IN PORT |
| 745480225 | 1 | 19.24 | 22.95 | 3 | SR10 |
| 745480229 | 1 | 19.24 | 22.95 | 2,7 | CX4 |

| PCB THICKNESS | SCREW LENGTH | TORQUE (IN LBS) |
|---------------|--------------|-----------------|
| 1.6 (.063') | 5MM | 2.3 |
| 2.38 (.093') | 6MM | 2.3 |
| 3.2 (.125') | 6MM | 2.3 |
| X | +4MM MAX | 2.3 |

| | | | | | | | |
|---|--|---------------------------------------|---|---|--------------|------------------------|--|
| SEE REVISION TABLE EC NO: CPG2015-0132 DRAWN: SYANG16 2013/09/27 CHKD: EWANG07 2014/08/15 APPR: RICHEN08 2014/08/19 | QUALITY SYMBOLS | GENERAL TOLERANCES (UNLESS SPECIFIED) | DIMENSION STYLE | SCALE | DESIGN UNITS | THIRD ANGLE PROJECTION | |
| | ▽ F/0 | mm INCH | MM ONLY | 1:1 | METRIC | ⊙ | |
| | ▽ E/0 | 4 PLACES ± --- ± --- | DRAWN BY DATE | TITLE I-PASS 26 CKT ZERO DEG. EMI GUIDE RAIL HOUSING ASSEMBLY, MULTI PORT | | | |
| | ▽ F/0 | 3 PLACES ± --- ± --- | SNABARRO 2006/05/26 | | | | |
| ▽ E/0 | 2 PLACES ± 0.13 ± --- | CHECKED BY DATE | MATERIAL NO. DOCUMENT NO. SHEET NO. SEE TABLE SD-74548-200 3 OF 4 | | | | |
| ▽ F/0 | 1 PLACE ± 0.25 ± --- | BREED 2006/05/26 | | | | | |
| | 0 PLACE ± ± | APPROVED BY DATE | THIS DRAWING CONTAINS INFORMATION THAT IS PROPRIETARY TO MOLEX INCORPORATED AND SHOULD NOT BE USED WITHOUT WRITTEN PERMISSION | | | | |
| | ANGULAR ± 1/2° | DDOYE 2006/05/26 | | | | | |
| | DRAFT WHERE APPLICABLE MUST REMAIN WITHIN DIMENSIONS | | | | | | |

| DATE | REV | DESCRIPTION |
|------------|-----|---|
| 2014/08/14 | U | 1.CHANGED 40.0 TO 40.0 REF $\text{\textcircled{0}}\text{B9}$ [SHEET 1] 2.CHANGED DIM 25.09 TO 25.09 REF $\text{\textcircled{0}}\text{A10}$ BASED ON SFF-8088 [SHEET 1] 3.ADDED NOTE FOR DIM 8.63 +0.13/-0.18 $\text{\textcircled{0}}\text{A7}$ [SHEET 1] 4.ADDED DIM 15.25MAX $\text{\textcircled{0}}\text{B9}$ BASED ON SFF-8088 [SHEET 1] 5.ADDED REVISION HISTORY [SHEET 4]. 6.CHANGED ALL LOCATIONS OF DIMENSION MULTIPLIERS. (EX: "YY(3)" TO "3X YY") |
| | | |
| | | |
| | | |
| | | |

| | | | | | | | |
|---|--|---------------------------------------|--|--|--------------|------------------------|--|
| SEE REVISION TABLE EC NO: CPG2015-0132 U DRWN:SYANG16 2013/09/27 CHKD:EWANG07 2014/08/15 APPR:RCHEN08 2014/08/19 | QUALITY SYMBOLS | GENERAL TOLERANCES (UNLESS SPECIFIED) | DIMENSION STYLE | SCALE | DESIGN UNITS | THIRD ANGLE PROJECTION | |
| | $\nabla = 0$ | mm INCH | MM ONLY | 1:1 | METRIC | | |
| | $\nabla = 0$ | 4 PLACES \pm --- \pm --- | DRAWN BY DATE | TITLE I-PASS 26 CKT ZERO DEG. EMI GUIDE RAIL HOUSING ASSEMBLY, MULTI PORT | | | |
| | $\nabla = 0$ | 3 PLACES \pm --- \pm --- | SNAVARRO 2006/05/26 | | | | |
| | $\nabla = 0$ | 2 PLACES ± 0.13 \pm --- | CHECKED BY DATE | DOCUMENT NO. SD-74548-200 SHEET NO. 4 OF 4 | | | |
| | 1 PLACE ± 0.25 \pm --- | BREED 2006/05/26 | | | | | |
| | 0 PLACE \pm \pm | APPROVED BY DATE | THIS DRAWING CONTAINS INFORMATION THAT IS PROPRIETARY TO MOLEX INCORPORATED AND SHOULD NOT BE USED WITHOUT WRITTEN PERMISSION | | | | |
| | ANGULAR $\pm 1/2^\circ$ | DDOYE 2006/05/26 | | | | | |
| | DRAFT WHERE APPLICABLE MUST REMAIN WITHIN DIMENSIONS | MATERIAL NO. | | | | | |
| | | SEE TABLE | | | | | |