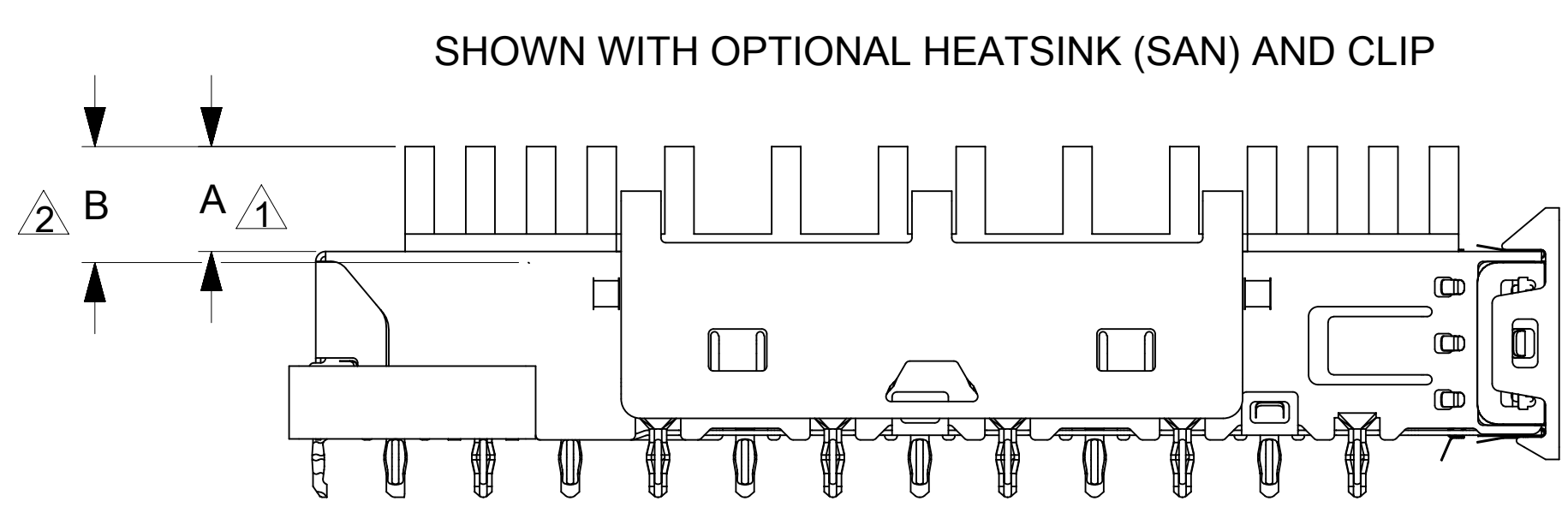
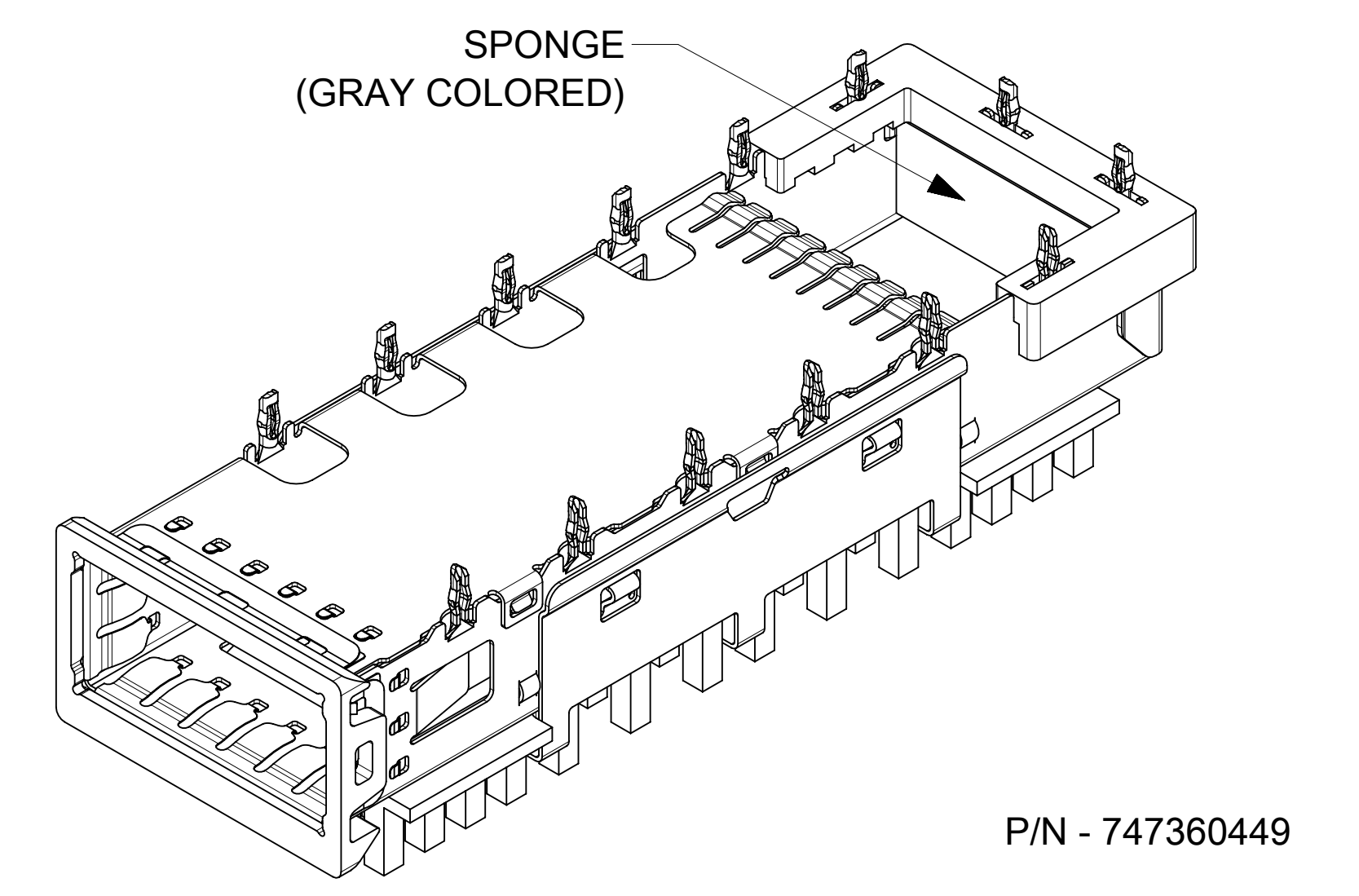
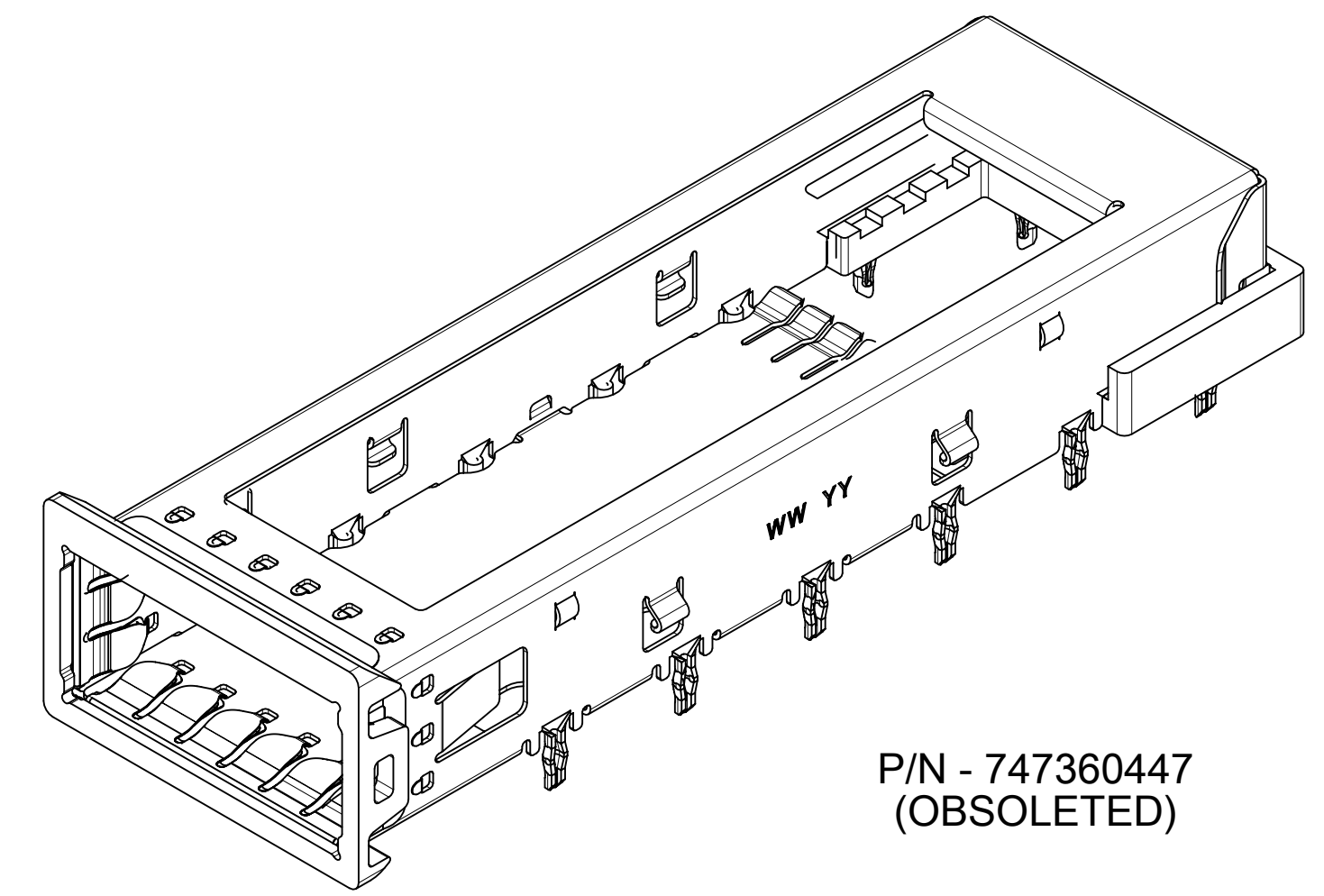
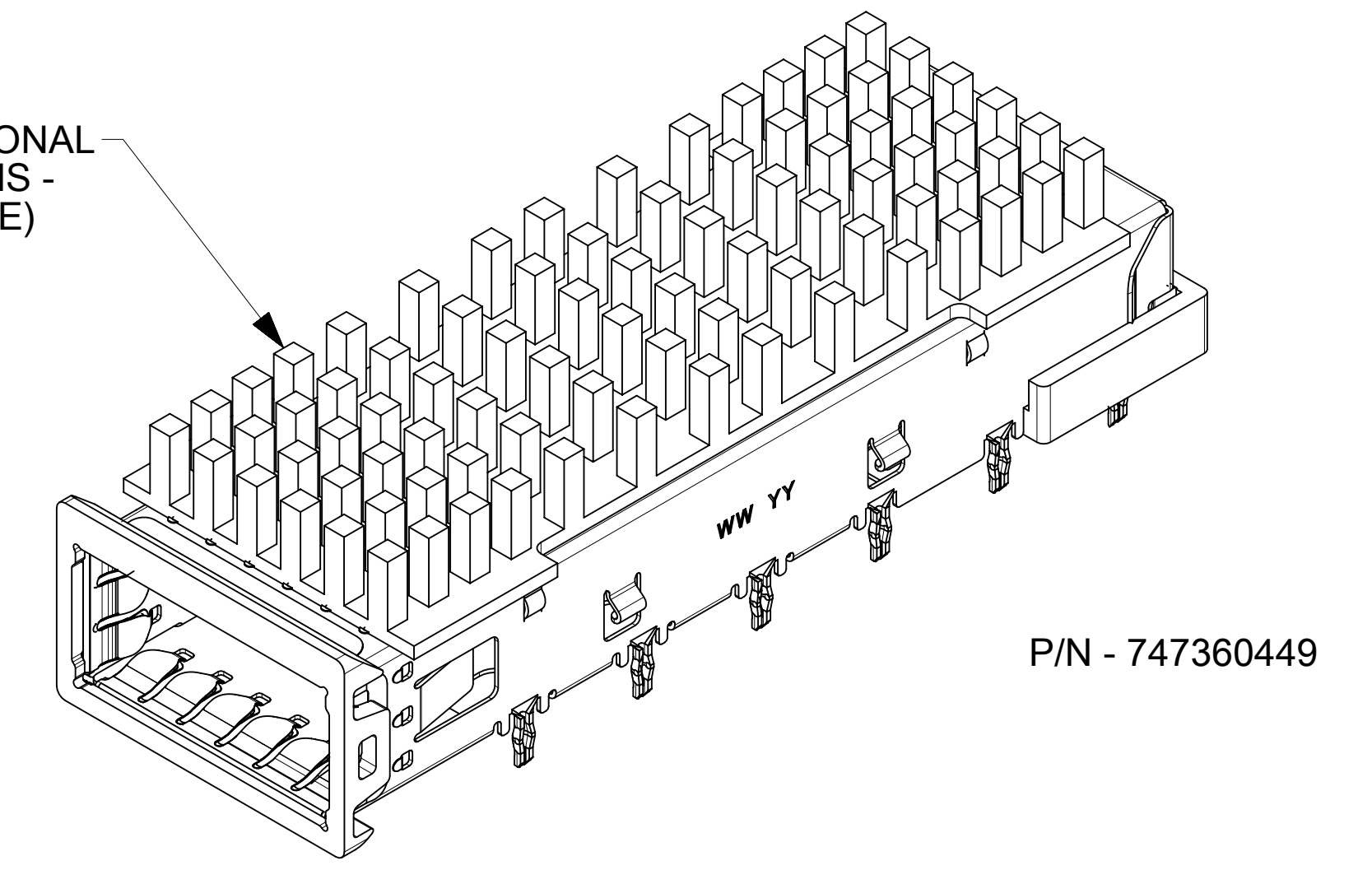
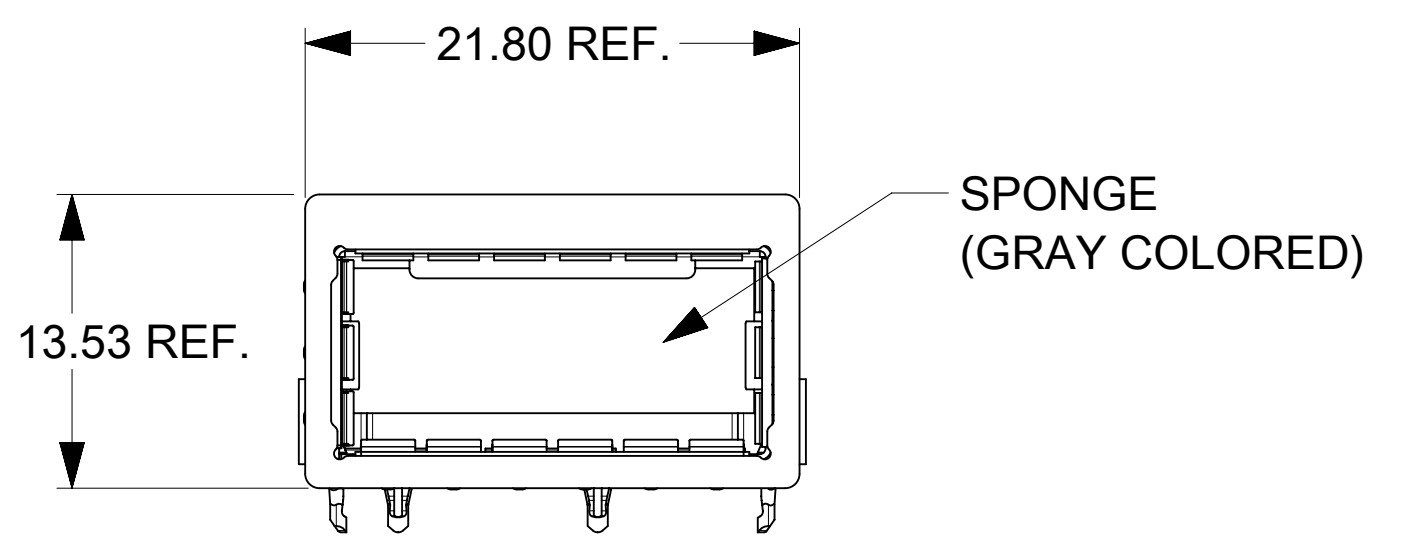


COMPLIANT EMI GASKET (DARK COLORED - GRAY)

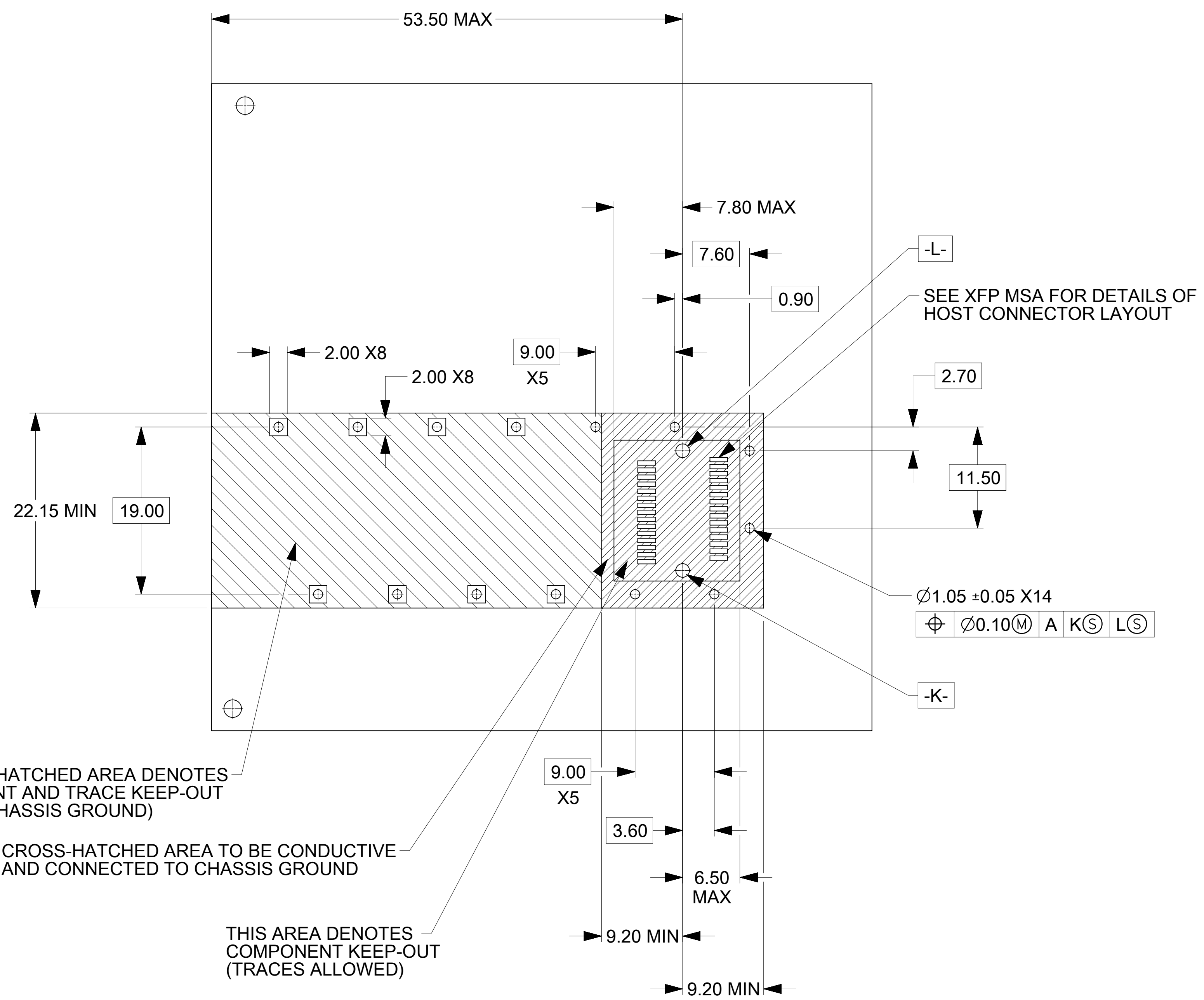
HEATSINK SINK AND CLIP ARE OPTIONAL (SEE CHART FOR HEATSINK OPTIONS - CUSTOM HEATSINKS ARE AVAILABLE)



- 1. MAXIMUM HEIGHT OF HEATSINK WITH MODULE INSERTED
- 2. OVERALL HEIGHT OF HEATSINK
- 3. OTHER HEATSINK DESIGNS ARE AVAILABLE INCLUDING CUSTOM DESIGNS

PART NUMBERS FOR XFP CAGE ASSEMBLY & PARTS					
P/N	DIM A	DIM B	DESCRIPTION	POWER LEVEL	THERMAL RESISTANCE @200 LFM
747360449	6.3	6.5	XFP CAGE WITH SAN HEATSINK (SHOWN)	UP TO 2.5W	<11.5 C/W
747360450	13.3	13.5	XFP CAGE WITH TALL HEATSINK	UP TO 3.5W	<8.0 C/W
747360230	N/A	N/A	HEATSINK CLIP ONLY	N/A	N/A
747360240	N/A	N/A	PCI HEATSINK ONLY	UP TO 1.5W	<18.0 C/W
747360241	N/A	N/A	SAN HEATSINK ONLY	UP TO 2.5W	<11.5 C/W
747360242	N/A	N/A	TALL HEATSINK ONLY	UP TO 3.5W	<8.0 C/W

FUNCTIONAL SYMBOLS FA = 0 FE = 0 FP = 0	THIS DRAWING CONTAINS INFORMATION THAT IS PROPRIETARY TO MOLEX ELECTRONIC TECHNOLOGIES, LLC AND SHOULD NOT BE USED WITHOUT WRITTEN PERMISSION	CURRENT REV DESC:		<b>molex</b>
	DIMENSION UNITS: mm	SCALE: 3:1	EC NO: 728791	
DIVISIONAL SYMBOLS	GENERAL TOLERANCES (UNLESS SPECIFIED)	MM	INCH	PRODUCT CUSTOMER DRAWING
	4 PLACES ±			DOCUMENT NUMBER
	3 PLACES ±			DOC TYPE
	2 PLACES ± 0.1			DOC PART
	1 PLACE ± 0.25			REVISION
	0 PLACES ±			
	ANGULAR TOL ± 1.0°			
	DRAFT WHERE APPLICABLE MUST REMAIN WITHIN DIMENSIONS	THIRD ANGLE PROJECTION	DRAWING: D-SIZE	SHEET NUMBER
			SERIES: 74736	
			MATERIAL NUMBER: SEE P/N TABLE	
			CUSTOMER: GENERAL MARKET	
				1 OF 3

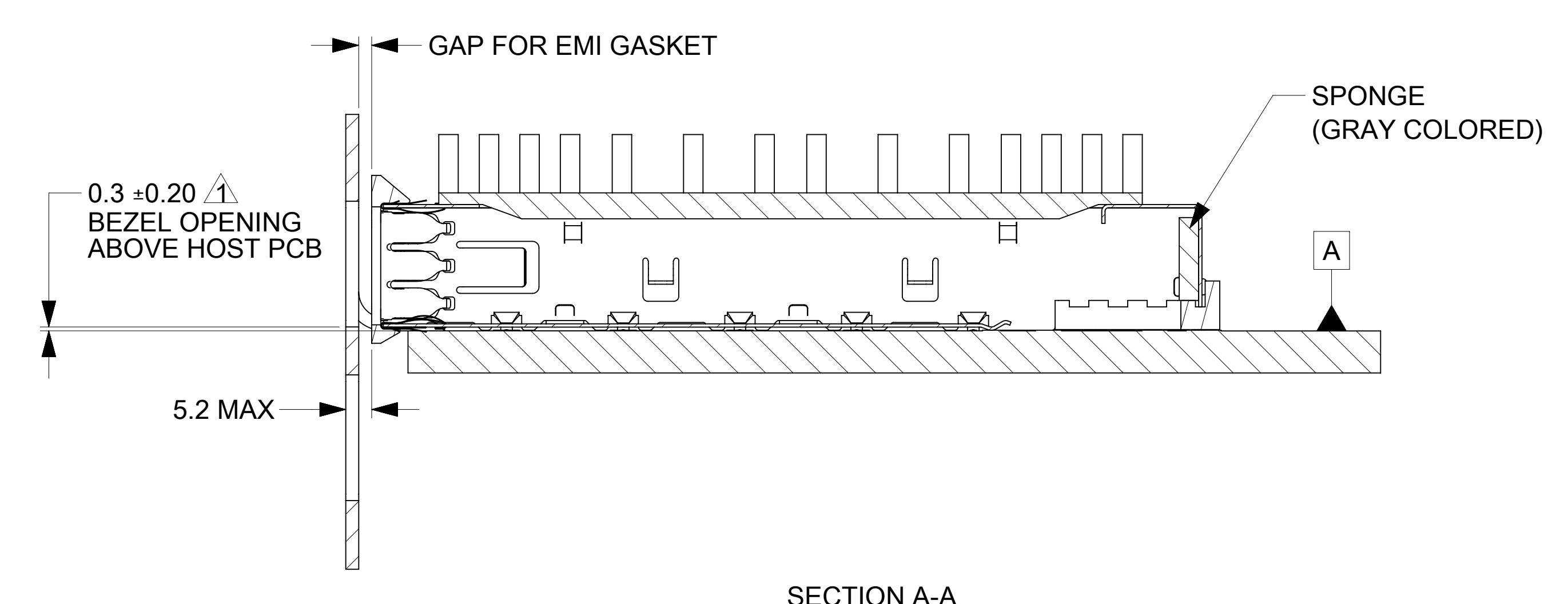
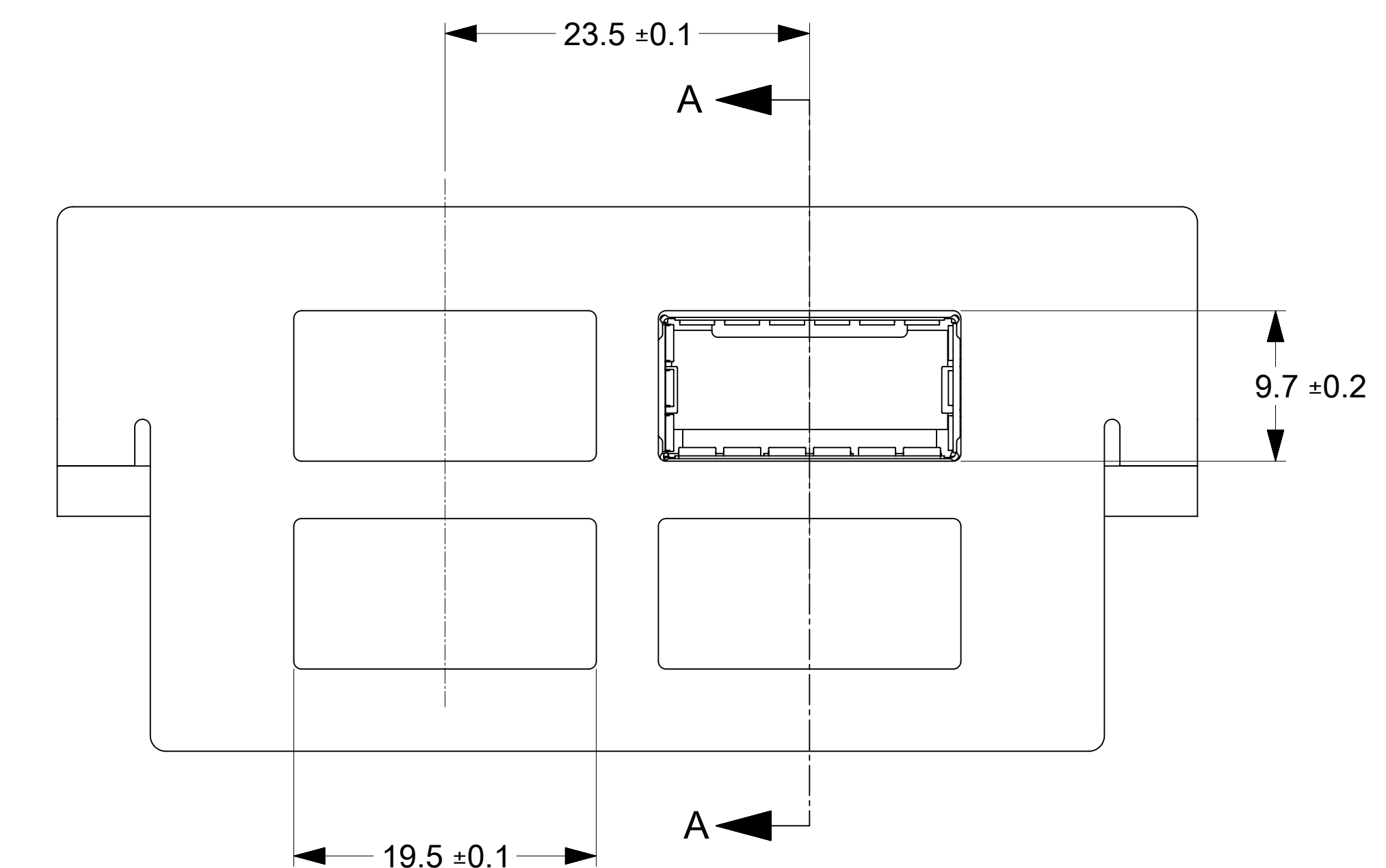


CROSSED-HATCHED AREA DENOTES COMPONENT AND TRACE KEEP-OUT (EXCEPT CHASSIS GROUND)

CROSS-HATCHED AREA TO BE CONDUCTIVE AND CONNECTED TO CHASSIS GROUND

THIS AREA DENOTES COMPONENT KEEP-OUT (TRACES ALLOWED)

▲ FOR PCI APPLICATIONS RECOMMENDED DIMENSION IS 0.4 ±0.1



FUNCTIONAL SYMBOLS	THIS DRAWING CONTAINS INFORMATION THAT IS PROPRIETARY TO MOLEX ELECTRONIC TECHNOLOGIES, LLC AND SHOULD NOT BE USED WITHOUT WRITTEN PERMISSION									
	$\frac{F_A}{A} = 0$ $\frac{F_C}{C} = 0$ $\frac{F_P}{P} = 0$	DIMENSION UNITS	SCALE	CURRENT REV DESC:						
		mm	3:1							
	DIVISIONAL SYMBOLS	GENERAL TOLERANCES (UNLESS SPECIFIED)								
		MM	INCH							
4 PLACES		±	±	EC NO: 728791						
3 PLACES		±	±	DRWN: DKUMARG 2022/11/16						
2 PLACES		±	±	CHK'D: SMALLESHAPPA 2022/11/16						
1 PLACE	±	±	APPR: SCHIEN 2022/11/17							
0 PLACES	±	±	INITIAL REVISION:							
ANGULAR TOL	±	1.0°	DRWN: CHIRSCHY 2008/09/25							
DRAFT WHERE APPLICABLE MUST REMAIN WITHIN DIMENSIONS			THIRD ANGLE PROJECTION	DRAWING		SERIES	MATERIAL NUMBER			
				D-SIZE	74736	SEE P/N TABLE	CUSTOMER			
					GENERAL MARKET		SHEET NUMBER			
					2 OF 3					


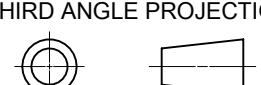
**molex**

XFP CAGE ASSEMBLY  
W/ 3D LEG

PRODUCT CUSTOMER DRAWING

DOCUMENT NUMBER: SD-74736-0448  
DOC TYPE: PSD  
DOC PART: 001  
REVISION: F3

DATE	REV	DESCRIPTION
2008/09/19	A	INITIAL RELEASE
2008/12/15	B	1. ADDED TEXT (DARK COLORED) TO COMPLIANT EMI GASKET NOTE
2010/03/01	C	1. ADDED NOTE TO PAGE 2 - THIS AREA DENOTES COMPONENT KEEP-OUT (TRACES ALLOWED) TO VIEW. 2. REMOVED NOTE 2 FROM PAGE 2.
2010/11/02	D	1. 13.53 REF. DIMENSION WAS 12.95 REF. 2. ADD 1 PLACE TOLERANCE OF ±0.25 TO TITLE BLOCK
2013/04/23	E	1. ADDED 747360453.
2019/02/04	F	1. OBSOLETE PART NUMBER 747360448.
2019/12/11	F1	1. OBSOLETE P/N 0747360447 AND 747360453
2021/01/07	F2	SHEET 1: E17: REMOVED THE VIEW OF 747360453. J09 & H05: ADDED A NOTE FOR SPONGE(GRAY COLORED). SHEET 2: G03: ADDED A NOTE FOR SPONGE(GRAY COLORED).
2022/11/16	F3	SHEET 01 : K12 : CORRECTED TYPO OF DIMENSION FROM 12.95 REF TO 13.53 REF FOR THE FG P/N 747360449 AND 747360450.

FUNCTIONAL SYMBOLS	THIS DRAWING CONTAINS INFORMATION THAT IS PROPRIETARY TO MOLEX ELECTRONIC TECHNOLOGIES, LLC AND SHOULD NOT BE USED WITHOUT WRITTEN PERMISSION			CURRENT REV DESC:																							
	FA = 0	mm	SCALE 1:1																								
DIVISIONAL SYMBOLS	GENERAL TOLERANCES (UNLESS SPECIFIED)			EC NO: 728791 DRWN: DKUMARG 2022/11/16 CHK'D: SMALLESHAPPA 2022/11/16 APPR: SCHIEN 2022/11/17			XFP CAGE ASSEMBLY W/ 3D LEG																				
	FC = 0																										
DIVISIONAL SYMBOLS	<table border="1"> <thead> <tr> <th></th> <th>MM</th> <th>INCH</th> </tr> </thead> <tbody> <tr> <td>4 PLACES ±</td> <td>±</td> <td>±</td> </tr> <tr> <td>3 PLACES ±</td> <td>±</td> <td>±</td> </tr> <tr> <td>2 PLACES ±</td> <td>0.1</td> <td>±</td> </tr> <tr> <td>1 PLACE ±</td> <td>0.25</td> <td>±</td> </tr> <tr> <td>0 PLACES ±</td> <td>±</td> <td>±</td> </tr> </tbody> </table>				MM	INCH	4 PLACES ±	±	±	3 PLACES ±	±	±	2 PLACES ±	0.1	±	1 PLACE ±	0.25	±	0 PLACES ±	±	±	INITIAL REVISION: DRWN: CHIRSCHY 2008/09/25 APPR: RMAHMOOD 2008/09/26			PRODUCT CUSTOMER DRAWING		
		MM	INCH																								
4 PLACES ±	±	±																									
3 PLACES ±	±	±																									
2 PLACES ±	0.1	±																									
1 PLACE ±	0.25	±																									
0 PLACES ±	±	±																									
FP = 0																											
ANGULAR TOL ± 1.0 °			DRAFT WHERE APPLICABLE MUST REMAIN WITHIN DIMENSIONS						DOCUMENT NUMBER: <b>SD-74736-0448</b>   DOC TYPE: PSD   DOC PART: 001   REVISION: <b>F3</b>																		
D-DRAWING			S-SERIES			MATERIAL NUMBER			CUSTOMER																		
D-SIZE			74736			SEE P/N TABLE			GENERAL MARKET																		
						SHEET NUMBER			3 OF 3																		