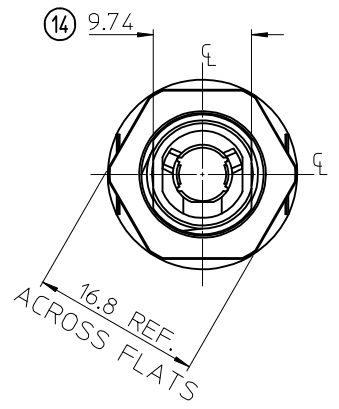
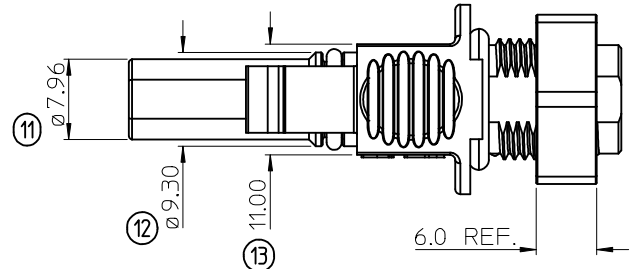
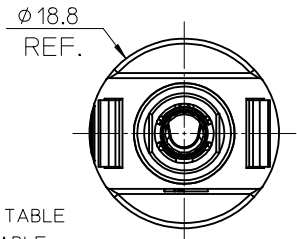
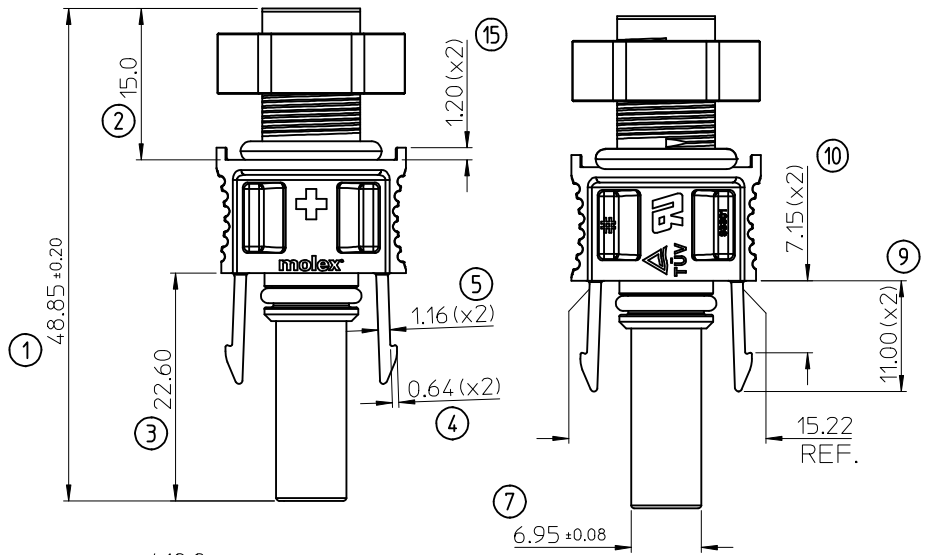
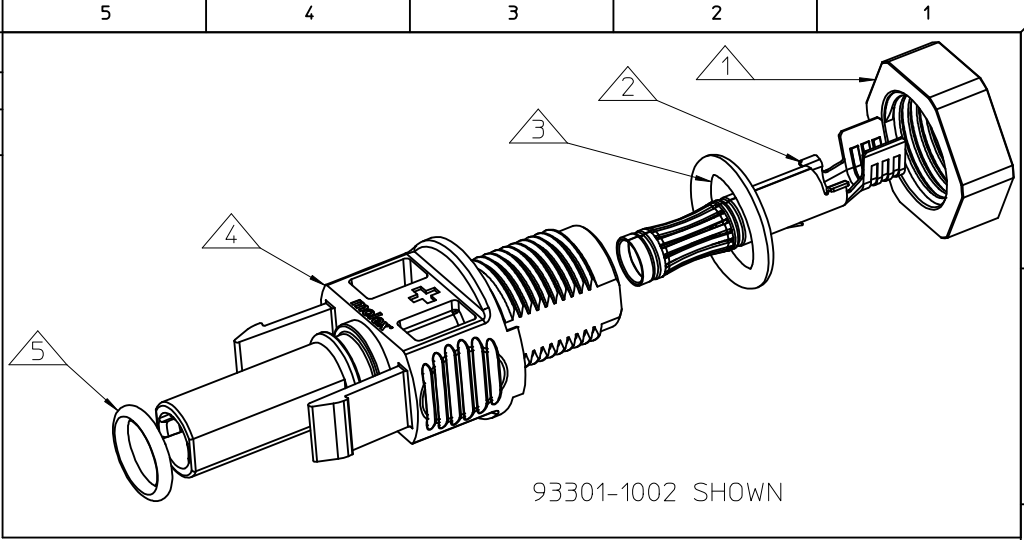


10	9	8	7	6
PART NUMBER	CRIMP SIZE	TERMINAL LOOSE	TERMINAL CHAIN	
93301-1001	2.5MM ² (14AWG)	933030005	933030003	
93301-1002	4-6MM ² (12-10AWG)	933030006	933030004	



NOTES:

1. MATERIALS: SEE TABLE
2. FINISHES: SEE TABLE
3. PRODUCT SPECIFICATION: PS-93301-001
4. PACKAGING SPECIFICATION: PK-93301-001(bulk packed)
PK-93301-004(single packed).
5. ASSEMBLY IS ROHS COMPLIANT.
6. FOR DUSTCAPS PLEASE REFER TO SD-93301-009

LAST INSPECTION NUMBER USED THIS SHEET: 15
REMOVED INSPECTION NO'S: 6 8

ITEM	QTY	DESCRIPTION	MATERIAL	FINISH
1	1	M12 X 1.0 NUT	PC.	BLACK
2	1	SOCKET TERMINAL	COPPER ALLOY	SELECTIVE SILVER
3	1	2.0 X 10.0 O-RING	SILICONE	TRANSLUCENT
4	1	SOCKET HOUSING	PC	BLACK
5	1	1.5 X 7.0 O-RING	SILICONE	TRANSLUCENT

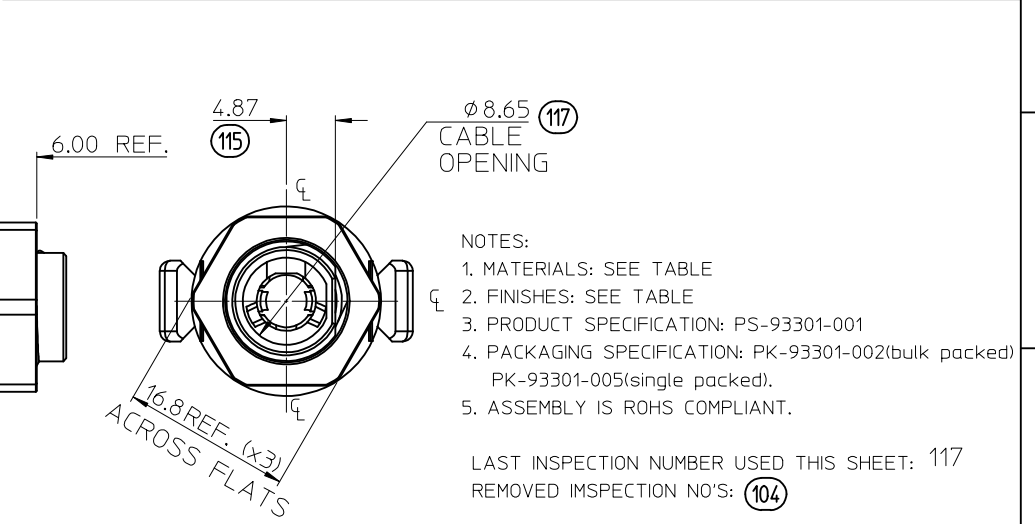
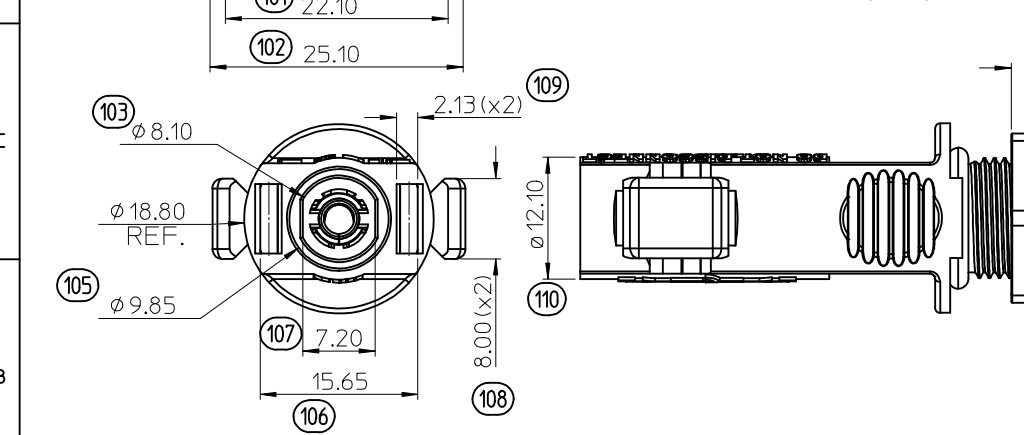
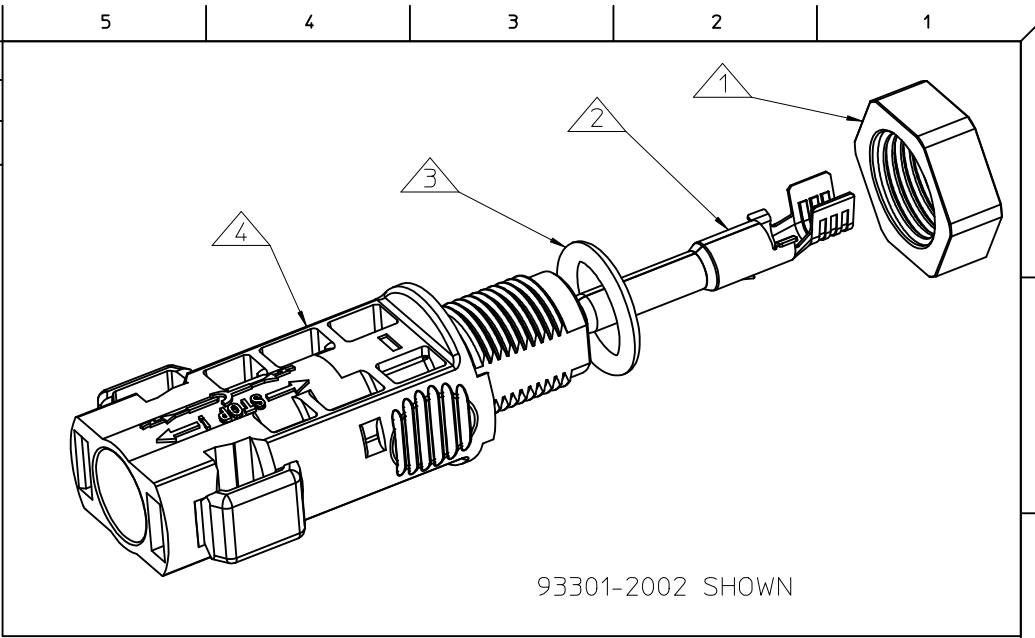
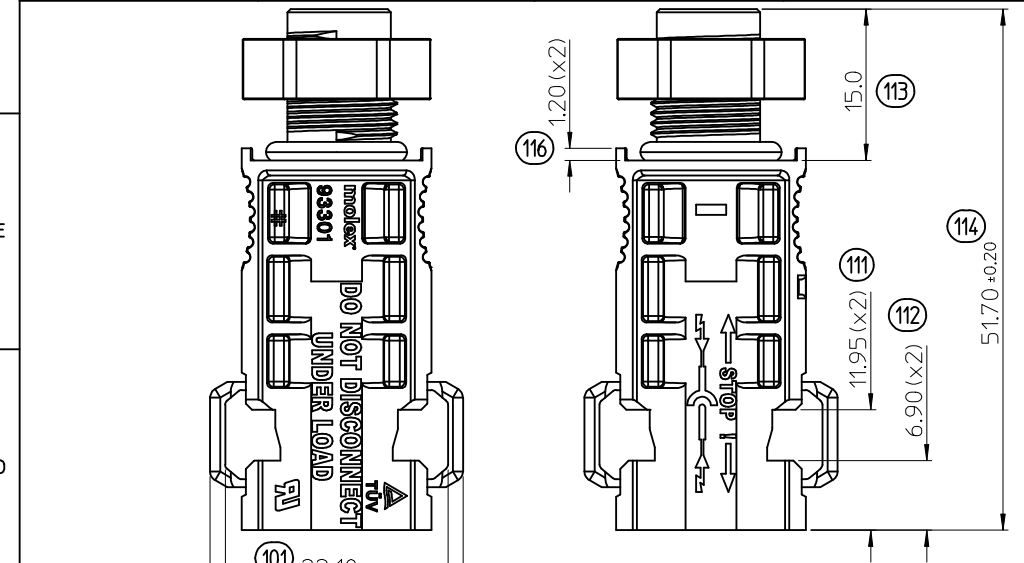
F.P.I.R. UPDATES EC NO: IPG2012-0274 DRWN:DBYRNES 2011/08/18 CHKD:SMCGREEVY 2012/11/29 APPR:ST.GRIFFIN 2013/03/05	QUALITY SYMBOLS	$\nabla=0$ $\sphericalangle=0$
	DESCRIPTION	
	REV	

GENERAL TOLERANCES (UNLESS SPECIFIED)	mm	INCH
	4 PLACES ± ---	± ---
	3 PLACES ± ---	± ---
	2 PLACES ± 0.15	± ---
	1 PLACE ± 0.25	± ---
	ANGULAR ± 2 °	
DRAFT WHERE APPLICABLE MUST REMAIN WITHIN DIMENSIONS		

DIMENSION STYLE		SCALE	DESIGN UNITS	THIRD ANGLE PROJECTION
MM ONLY		2:1	METRIC	
DRAWN BY	DATE	TITLE		
DBYRNES	2010/12/03	SOLAR DC PANEL MOUNT		
CHECKED BY	DATE	14 -10 AWG		
SMCGREEVY	2010/12/06			
APPROVED BY	DATE			
EFOLAN	2011/02/08			
MATERIAL NO.	DOCUMENT NO.			
SEE CHART	SD-93301-001			
SIZE A3	THIS DRAWING CONTAINS INFORMATION THAT IS PROPRIETARY TO MOLEX INCORPORATED AND SHOULD NOT BE USED WITHOUT WRITTEN PERMISSION			

MATERIAL NO.		DOCUMENT NO.	SHEET NO.
			1 OF 3

10	9	8	7	6
PART NUMBER	CRIMP SIZE	TERMINAL LOOSE	TERMINAL CHAIN	
93301-2001	2.5MM ² (14AWG)	933020005	933020003	
93301-2002	4-6MM ² (12-10AWG)	933020006	933020004	

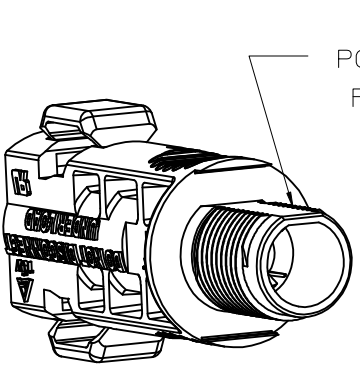
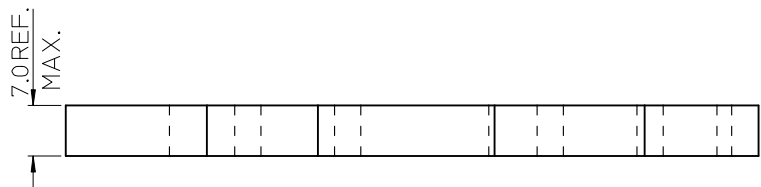


- NOTES:
1. MATERIALS: SEE TABLE
 2. FINISHES: SEE TABLE
 3. PRODUCT SPECIFICATION: PS-93301-001
 4. PACKAGING SPECIFICATION: PK-93301-002(bulk packed)
PK-93301-005(single packed).
 5. ASSEMBLY IS ROHS COMPLIANT.
- LAST INSPECTION NUMBER USED THIS SHEET: 117
REMOVED INSPECTION NO'S: 104

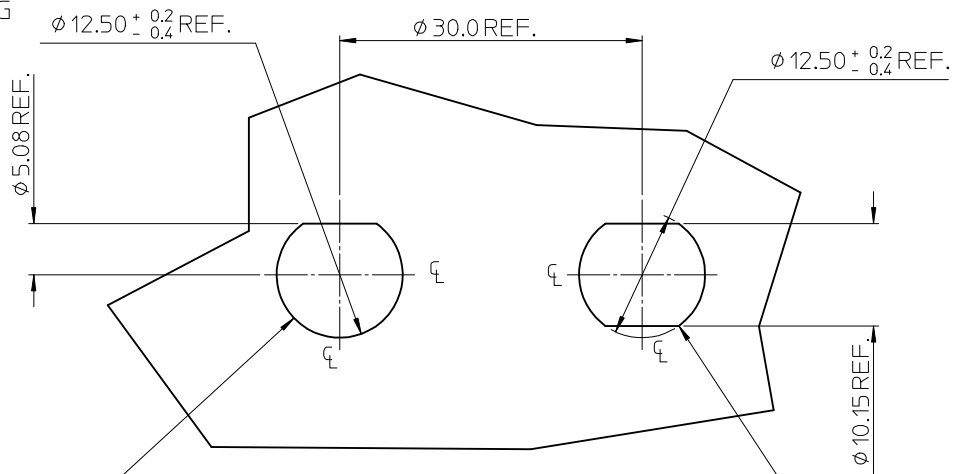
ITEM	QTY	DESCRIPTION	MATERIAL	FINISH
1	1	M12 X 1.0 NUT	PC.	BLACK
2	1	PIN TERMINAL	COPPER ALLOY	SELECTIVE SILVER
3	1	2.0 X 10.0 O-RING	SILICONE	TRANSLUCENT
4	1	PIN HOUSING	PC	BLACK

SEE SHEET 1 EC NO: IPG2012-0274 DRN:DBYRNES 2011/08/18 CHKD:SMCGREEVY 2012/11/29 APPR:ST.GRIFFIN 2013/03/05	QUALITY SYMBOLS	GENERAL TOLERANCES (UNLESS SPECIFIED)	DIMENSION STYLE	SCALE	DESIGN UNITS	THIRD ANGLE PROJECTION															
	$\nabla=0$ $\sphericalangle=0$	<table border="1"> <tr> <th></th> <th>mm</th> <th>INCH</th> </tr> <tr> <td>4 PLACES</td> <td>± ---</td> <td>± ---</td> </tr> <tr> <td>3 PLACES</td> <td>± ---</td> <td>± ---</td> </tr> <tr> <td>2 PLACES</td> <td>± 0.15</td> <td>± ---</td> </tr> <tr> <td>1 PLACE</td> <td>± 0.25</td> <td>± ---</td> </tr> </table>		mm	INCH	4 PLACES	± ---	± ---	3 PLACES	± ---	± ---	2 PLACES	± 0.15	± ---	1 PLACE	± 0.25	± ---	MM ONLY	2:1	METRIC	
		mm	INCH																		
	4 PLACES	± ---	± ---																		
3 PLACES	± ---	± ---																			
2 PLACES	± 0.15	± ---																			
1 PLACE	± 0.25	± ---																			
DESCRIPTION	DRAWN BY	DATE	TITLE	SOLAR DC PANEL MOUNT 14 -10 AWG																	
	DBYRNES	2010/12/03																			
	CHECKED BY	DATE		MOLEX INCORPORATED																	
	SMCGREEVY	2010/12/06																			
	APPROVED BY	DATE		MATERIAL NO. SD-93301-001 DOCUMENT NO. 2 OF 3																	
	EFOLAN	2011/02/08																			
			SIZE	THIS DRAWING CONTAINS INFORMATION THAT IS PROPRIETARY TO MOLEX INCORPORATED AND SHOULD NOT BE USED WITHOUT WRITTEN PERMISSION																	
			A3																		

RECOMMENDED PANEL LAYOUT

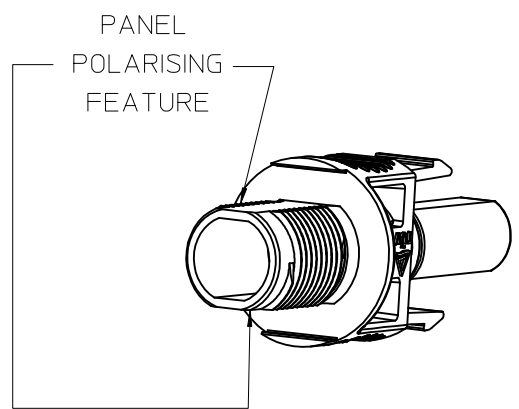


PANEL POLARISING FEATURE



PIN OPENING (MALE)

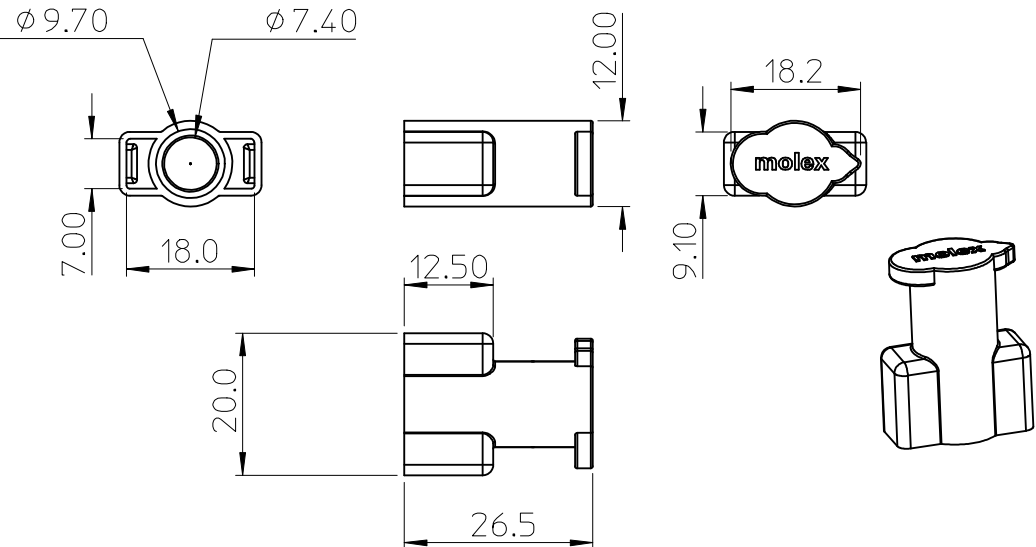
SOCKET OPENING (FEMALE)



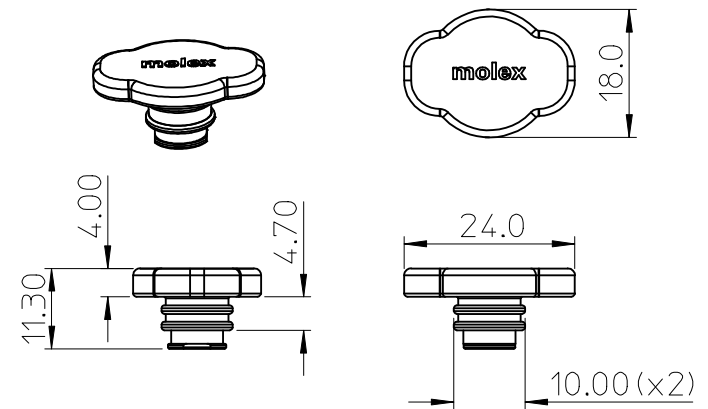
PANEL POLARISING FEATURE

SEE SHEET 1 EC NO: IPG2012-0274 DRWN:DBYRNES 2011/08/18 CHKD:SMCGREEVY 2012/11/29 APPR:STGRIFFIN 2013/03/05	DESCRIPTION REV	QUALITY SYMBOLS	GENERAL TOLERANCES (UNLESS SPECIFIED)	DIMENSION STYLE	SCALE	DESIGN UNITS	THIRD ANGLE PROJECTION	
		▼=0 ◻=0	mm INCH 4 PLACES ± --- ± --- 3 PLACES ± --- ± --- 2 PLACES ± 0.15 ± --- 1 PLACE ± 0.25 ± --- ANGULAR ± 2 °	MM ONLY	2:1	METRIC		
			DRAFT WHERE APPLICABLE MUST REMAIN WITHIN DIMENSIONS	DRAWN BY: DBYRNES DATE: 2010/12/03 CHECKED BY: SMCGREEVY DATE: 2010/12/06 APPROVED BY: EFOLAN DATE: 2011/02/08	TITLE		SOLAR DC PANEL MOUNT 14 -10 AWG	
				MATERIAL NO. N/A	MOLEX INCORPORATED		DOCUMENT NO. SD-93301-001	SHEET NO. 3 OF 3

93301-9001



93301-9002



NOTE'S

1. MATERIAL - SILICONE NE-7150
2. PARTS MUST BE RoHS COMPLIANT.
3. SUITABLE FOR USE WITH MOLEX SERIES 93301 & 130244 SOLARSPEC CONNECTORS.
4. PACKAGING SPECIFICATION: SEE CHART.

PART No.	DESCRIPTION	PKG SPEC
93301-9001	FEMALE SOCKET DUST CAP.	PK-93301-011
93301-9002	MALE PIN DUSTCAP.	PK-93301-012

ORIGINAL RELEASE EC NO: IPG2013-0910 DRWN:DBYRNES 2012/09/18 CHKD:CKNOWLES 2012/12/14 APPR:STGRIFFIN 2012/12/14	DESCRIPTION A	QUALITY SYMBOLS	GENERAL TOLERANCES (UNLESS SPECIFIED)	DIMENSION STYLE	SCALE	DESIGN UNITS	THIRD ANGLE PROJECTION	
		$\nabla=0$ $\sphericalangle=0$	mm INCH 4 PLACES ± --- ± --- 3 PLACES ± --- ± --- 2 PLACES ± 0.25 ± --- 1 PLACE ± 0.38 ± --- 0 PLACE ± --- ± ---	MM ONLY	1:1	METRIC	93301 SERIES SOLARSPEC DUSTCAPS	
		ANGULAR ± 2 ° DRAFT WHERE APPLICABLE MUST REMAIN WITHIN DIMENSIONS	DRAWN BY DATE DBYRNES 2012/09/18 CHECKED BY DATE CKNOWLES 2012/12/14 APPROVED BY DATE STGRIFFIN 2012/12/14	MATERIAL NO. SEE CHART	DOCUMENT NO. SD-93301-009	SHEET NO. 1 OF 1		
		THIS DRAWING CONTAINS INFORMATION THAT IS PROPRIETARY TO MOLEX INCORPORATED AND SHOULD NOT BE USED WITHOUT WRITTEN PERMISSION		SIZE A 4		molex		
				THIS DRAWING CONTAINS INFORMATION THAT IS PROPRIETARY TO MOLEX INCORPORATED AND SHOULD NOT BE USED WITHOUT WRITTEN PERMISSION				