

Voice Guidance LSI

■ Overview

The S1V3S344 is an LSI incorporating built-in flash memory for voice data and featuring pin compatibility with existing S1V3034x Series devices*. It features high-compression, high-quality audio decoding functions, built-in voice data flash memory, and a DA converter, making it ideal for use in voice guidance products. The voice data creation tool for EPSON voice guidance LSI allows easy creation of high-quality voice data without the need for studio recording. All functions are controlled by commands via a serial interface for easy addition to any existing system incorporating a host.

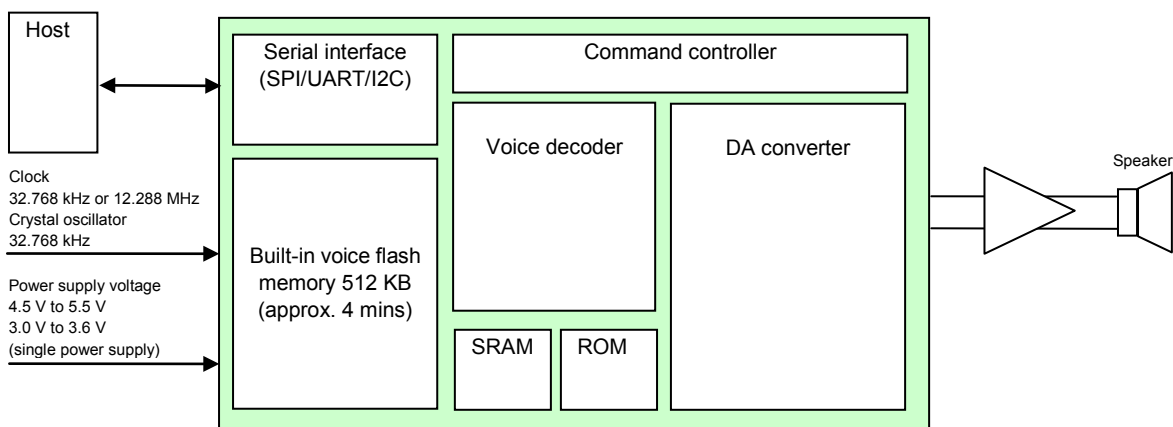
* External parts differ from S1V3034x Series devices.

■ Features

- **Audio playback**
 - High-compression, high-quality audio decoder (proprietary Epson data format)
 - Bitrate: 40 kbps, 32 kbps, 24 kbps, 16 kbps
 - Sampling rate: 16 kHz
- **Sequencer function (phrase interval setting)**
 - Sequence setting for up to 64 phrases (unlimited combinations)
 - Variable phrase interval delay setting: 0 ms or 20 ms to 2,047 ms (in 1 ms steps)
- **Voice data built-in flash memory¹**
 - Incorporates the following memory for voice data
 - 512 kbytes (approx. 4 minutes/16 kbps)
 - Erase/write cycles: 10,000 cycles (typ.)
1,000 cycles (min)
 - Data retention: 10 years (min)
- **Host interface**
 - Clock synchronized serial interface, supporting UART and I2C
 - Command control
- **High-quality 16-bit DA converter**
 - Sampling rate (f_s): 16 kHz
 - Input bits: 16 bits
- **Clock**
 - Clock input: 32.768 kHz or 12.288 MHz
 - Crystal oscillator: 32.768 kHz
- **Package**
 - QFP-52pin (10 mm × 10 mm) 0.65 mm pin pitch
- **Power supply voltage**
 - 5.0 V ±0.5 V (single power supply)
 - 3.3 V ±0.3 V (single power supply)

■ Standard application system

The S1V3S344 standard application system is configured as shown in the diagram below. The S1V3S344 is command-controlled by the host using a messaging protocol via the serial interface. Controlled by commands sent from the host via the serial interface after power-on resetting, the S1V3S344 outputs voice audio while internally decoding and processing internal or streamed (via host command transfer) compressed audio data.



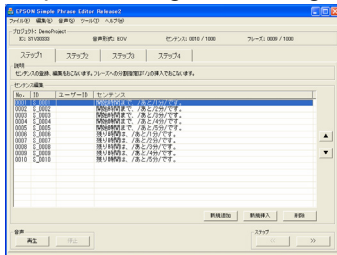
S1V3S344

Development Tools

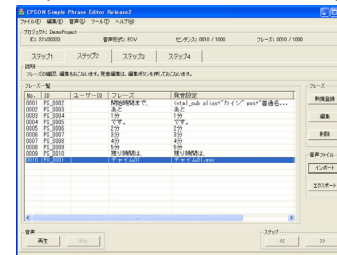
- Evaluation board
- Voice data creation tool
- Sample programs

[Voice data creation tool overview]

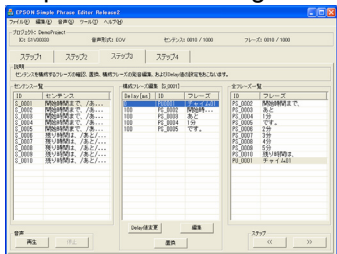
Step 1: Voice guidance registration



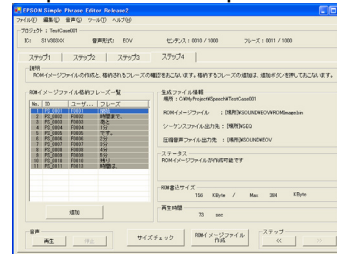
Step 2: Pronunciation editing



Step 3: Phrase editing



Step 4: ROM data production



· Supported languages : English, Japanese, Korean (all female voices)

*1 The flash memory technology used in this product is used under license of Silicon Storage Technology, Inc. in the USA.

NOTICE:

No part of this material may be reproduced or duplicated in any form or by any means without the written permission of Seiko Epson. Seiko Epson reserves the right to make changes to this material without notice. Seiko Epson does not assume any liability of any kind arising out of any inaccuracies contained in this material or due to its application or use in any product or circuit and, further, there is no representation that this material is applicable to products requiring high level reliability, such as, medical products. Moreover, no license to any intellectual property rights is granted by implication or otherwise, and there is no representation or warranty that anything made in accordance with this material will be free from any patent or copyright infringement of a third party. When exporting the products or technology described in this material, you should comply with the applicable export control laws and regulations and follow the procedures required by such laws and regulations. You are requested not to use, to resell, to export and/or to otherwise dispose of the products (and any technical information furnished, if any) for the development and/or manufacture of weapon of mass destruction or for other military purposes.

All brands or product names mentioned herein are trademarks and/or registered trademarks of their respective companies.

©Seiko Epson Corporation 2015. All rights reserved

SEIKO EPSON CORPORATION

MICRODEVICES OPERATIONS DIVISION

Device Sales & Marketing Department
421-8 Hino, Hino-shi, Tokyo 191-8501, JAPAN
Phone: +81-42-587-5814 FAX: +81-42-587-5117

EPSON semiconductor website

<http://global.epson.com/products/semicon/>

Document code: 411676801
First issue March, 2009
Revised June, 2015 in Japan