

Sound Processors for Home Theater System

7.1ch Sound Processor


BD3452KS

No.10081EAT01

●Description

BD3452KS is a sound processor where the functions including Input Selector, 8ch Volume and Gain Amp required for applications such as AV receivers, home theater systems and mini-component systems are integrated into a single chip. Adopting the BiCMOS process achieves low distortion, low noise and a wide dynamic range.

●Features

- 1) Dynamic range: 132dB (VOL=MUTE, IHF-A)
- 2) Independent 8 channels for Master Volume (0 to -99 dB, MUTE 1dB/Step)
- 3) Supporting 2nd room entertainment
- 4) Low current consumption design achieved by adopting the BiCMOS process
- 5) Built-in Output Gain Amp useful for adjusting output signal voltages (0 to 15dB, 1dB/Step)
- 6) BD3841FS (9-input selector), BD3843FS (6-input selector) and BUS are common to be controlled simultaneously.
- 7) Built-in 2ch output port
- 8) 2-wire serial control (For both 3.3V and 5V)

●Applications

AV receivers, home theater systems and mini-component systems

●Absolute maximum ratings (Ta=25°C)

Parameter	Symbol	Ratings	Unit
Power Supply Voltage	VCC	7.5 ^{*1}	V
	VEE	-7.5	
Input Signal Voltage	VIN	VCC+0.3 to VEE-0.3	V
Power Dissipation	Pd	1300 ^{*2}	mW
Operating Temperature Range	Topr	-20 to +75	°C
Storage Temperature Range	Tastg	-55 to +125	°C

*1 Even in the specified range of Power Supply Voltage, applying voltage only to the VCC side may cause an excessive current to give a permanent damage to the IC.

When starting up power supplies, VEE and VCC should be powered on simultaneously or VEE first; then followed by VCC.

*2 Over Ta=25°C, reduce at the rate of 13mW/°C. When installed on the standard board (size: 70×70×1.6mm).

●Operating conditions

It must function normally at Ta=25°C.

Parameter	Symbol	Ratings			Unit
		Min.	Typ.	Max.	
Operating Supply Voltage	VCC	6.5	7	7.3	V
	VEE	-7.3	-7	-6.5	

●Electrical characteristics

Ta=25°C, VCC=7V, VEE=-7V, f=1kHz, Vin=1Vrms, RL=10kΩ, Rg=600Ω, Input Gain=0dB,
Master volume=0dB, Output gain=0dB, unless otherwise noted.

	Parameter		Symbol	Limits			Unit	Conditions
				Min.	Typ.	Max.		
Total Output	Circuit Current	VCC	IQ	-	20	40	mA	No signal
		VEE		-40	-20	-		
	Output Voltage Gain		Gv	-2	0	2	dB	Measure : Pin87,88
	Total Harmonic Distortion Ratio		THD	-	0.0006	0.03	%	Measure : Pin87,88 BW=400 to 30kHz
	Maximum Output Voltage		Vomax	3.6	4.2	-	Vrms	Measure : Pin87,88 THD=1%
	Output Noise Voltage		Vno	-	1.4	12	μVrms	Measure : Pin87,88, Rg=0Ω, BW=IHF-A
	Residual Noise Voltage		Vnor	-	1	8	μVrms	Measure : Pin87,88, Rg=0Ω, BW=IHF-A, Volume=MUTE
	Cross-talk between Channels		CTC	-	-95	-80	dB	Measure : Pin88(OUTFL),87 (OUTFR) Rg=0Ω, BW=IHF-A Reference : Pin87(OUTFR), 88(OUTFL)=1Vrms
	Cross-talk between Selectors		CTS	-	-95	-80	dB	Measure : Pin87,88 Rg=0Ω, BW=IHF-A
Input Impedance		Rin	32	47	62	kΩ		
Volume Output	V Output Voltage Gain		GVV	-2	0	2	dB	Measure : Pin 81,82,83,84,85,86,87,88
	V Total Harmonic Distortion Ratio		THDV	-	0.0006	0.03	%	Measure : Pin 81,82,83,84,85,86,87,88 BW=400 to 30kHz
	V Residual Noise Voltage		VnorV	-	1	8	μVrms	Measure : Pin 81,82,83,84,85,86,87,88 BW=IHF-A, Rg=0Ω, Volume=MUTE
	Volume Setting Error		VOLE1	-0.5	0	0.5	dB	Measure : Pin 81,82,83,84,85,86,87,88 Volume=0dB, Vin=3Vrms
	Maximum Attenuation		VOLmin	-	-115	-105	dB	Measure : Pin 81,82,83,84,85,86,87,88 Vin=3Vrms, BW=IHF-A
Input Gain	Input Gain Control Range		GIG	10	12	14	dB	Measure : Pin 81,82,83,84,85,86,87,88 Input Gain=12dB, Vin=0.3Vrms
Output Gain	Output Gain Control Range		GOG	13	15	17	dB	Measure : Pin 81,82,83,84,85,86,87,88 Output Gain=15dB, Vin=0.3Vrms
	Output Gain Setting Error		GOE	-0.5	0	0.5	dB	Measure : Pin 81,82,83,84,85,86,87,88 Output Gain=0dB, Vin=0.3Vrms
REC Out	R Output Impedance		RoutR	-	20	100	Ω	Measure : Pin 44,45,46,47
	R Voltage Gain		GVR	-2	0	2	dB	Measure : Pin 44,45,46,47 (*)RL=10kΩ
	R Total Harmonic Distortion Ratio		THDR	-	0.005	0.09	%	Measure : Pin 44,45,46,47 BW=400 to 30kHz, (*)RL=10kΩ
Port	Port H Output		PH	4.0	4.9	5.4	V	Measure : Pin 62,63 RL=10kΩ
	Port Output Current		PI	-	-	1.0	mA	Measure : Pin 62,63

(*) If two RECOUTs are ON, total load resistances of these two (RL) should be 10 kΩ.

* This product is not of "anti radiation design".

●Timing chart

1) Signal Timing Conditions

- Data is read on the rising edge of the clock.
- Latch is read on the falling edge of the clock.
- Latch signal must terminate with the LOW state.

*To avoid malfunctions, clock and data signals must terminate with the LOW state.

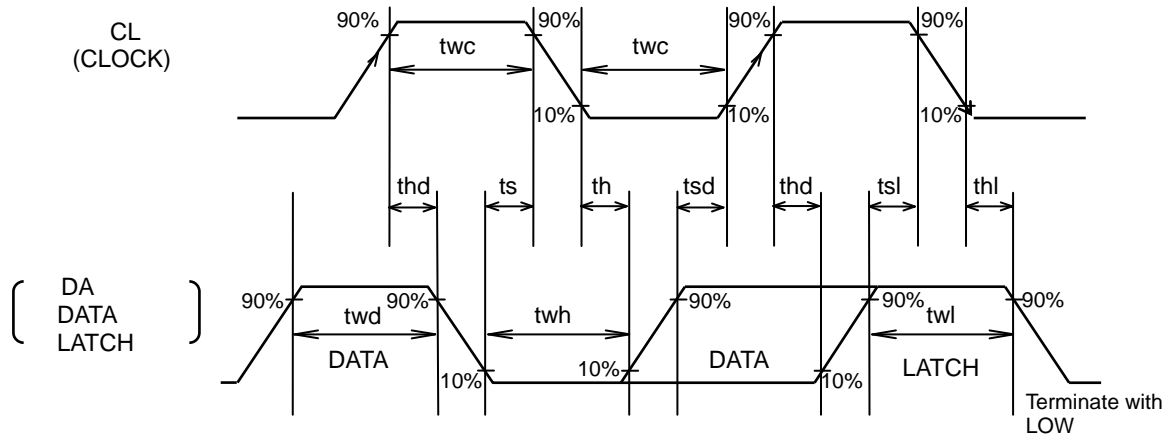


Fig.1

Parameter	Symbol	Limits			Unit
		Min.	Typ.	Max.	
Minimum Clock Width	twc	1.0	-	-	μs
Minimum Data Width	twd	1.0	-	-	μs
Minimum Latch Width	twl	1.0	-	-	μs
LOW Hold Width	twh	1.0	-	-	μs
Data Set-up Time (DATA→CLK)	tsd	0.5	-	-	μs
Data Hold Time (CLK→DATA)	thd	0.5	-	-	μs
Latch Set-up Time (CLK→LATCH)	tsl	0.5	-	-	μs
Latch Hold Time (DATA→LATCH)	thl	0.5	-	-	μs
Latch Low Set-up Time	ts	0.5	-	-	μs
Latch Low Hold Time	th	0.5	-	-	μs

2) Voltage Conditions for Control Signals

Parameter	Limits			Unit	Conditions
	Min.	Typ.	Max.		
“H” Input Voltage	2.2	—	5.5	V	V _{CC} = 6.5~7.3V V _{EE} = -6.5~-7.3V
“L” Input Voltage	0	—	1.0	V	

3) Basic Configuration of Control Data Formats

← Input direction

	MSB															LSB	
Data	D16	D15	D14	D13	D12	D11	D10	D9	D8	D7	D6	D5	D4	D3	D2	D1	D0
	Data														Select Address		

• Control Data Formats

← Input direction

															Select Address		
Data (1)	D16	D15	D14	D13	D12	D11	D10	D9	D8	D7	D6	D5	D4	D3	D2	D1	D0
	Input selector 1				Input selector 2				Input ATT		Input gain		*	*	0	0	0
Data (2)	D16	D15	D14	D13	D12	D11	D10	D9	D8	D7	D6	D5	D4	D3	D2	D1	D0
	FLR Input Selector			SBLR Input Selector			Multi Input Selector		REC A	REC B	Port A	Port B	*	0	0	0	1
Data (3)	D16	D15	D14	D13	D12	D11	D10	D9	D8	D7	D6	D5	D4	D3	D2	D1	D0
	Output gain 7ch				Output gain SWch				*	*	*	*	*	1	0	0	1
Data (4)	D16	D15	D14	D13	D12	D11	D10	D9	D8	D7	D6	D5	D4	D3	D2	D1	D0
	Master volume FLch						Master volume FRch						0	1	0		
Data (5)	D16	D15	D14	D13	D12	D11	D10	D9	D8	D7	D6	D5	D4	D3	D2	D1	D0
	Master volume Cch						Master volume SWch						0	1	1		
Data (6)	D16	D15	D14	D13	D12	D11	D10	D9	D8	D7	D6	D5	D4	D3	D2	D1	D0
	Master volume SLch						Master volume SRch						1	1	0		
Data (7)	D16	D15	D14	D13	D12	D11	D10	D9	D8	D7	D6	D5	D4	D3	D2	D1	D0
	Master volume SBLch						Master volume SBRch						1	1	1		

By changing the setting of Select Address, seven different control formats are selectable.
 For Select Address, the values except those shown above must not be specified.
 Each time of power-on, all of the address data must be initialized.
 * indicates 0 or 1.

(Example)

← Input direction

MSB	LSB	MSB	LSB	MSB	LSB	MSB	LSB	MSB	LSB	MSB	LSB	MSB	LSB
Data(1)	L	Data(2)	L	Data(3)	L	Data(4)	L	Data(5)	L	Data(6)	L	Data(7)	L

"L" means latch.

After power-on, for the second and subsequent times, only the desired data can be selected for setting.

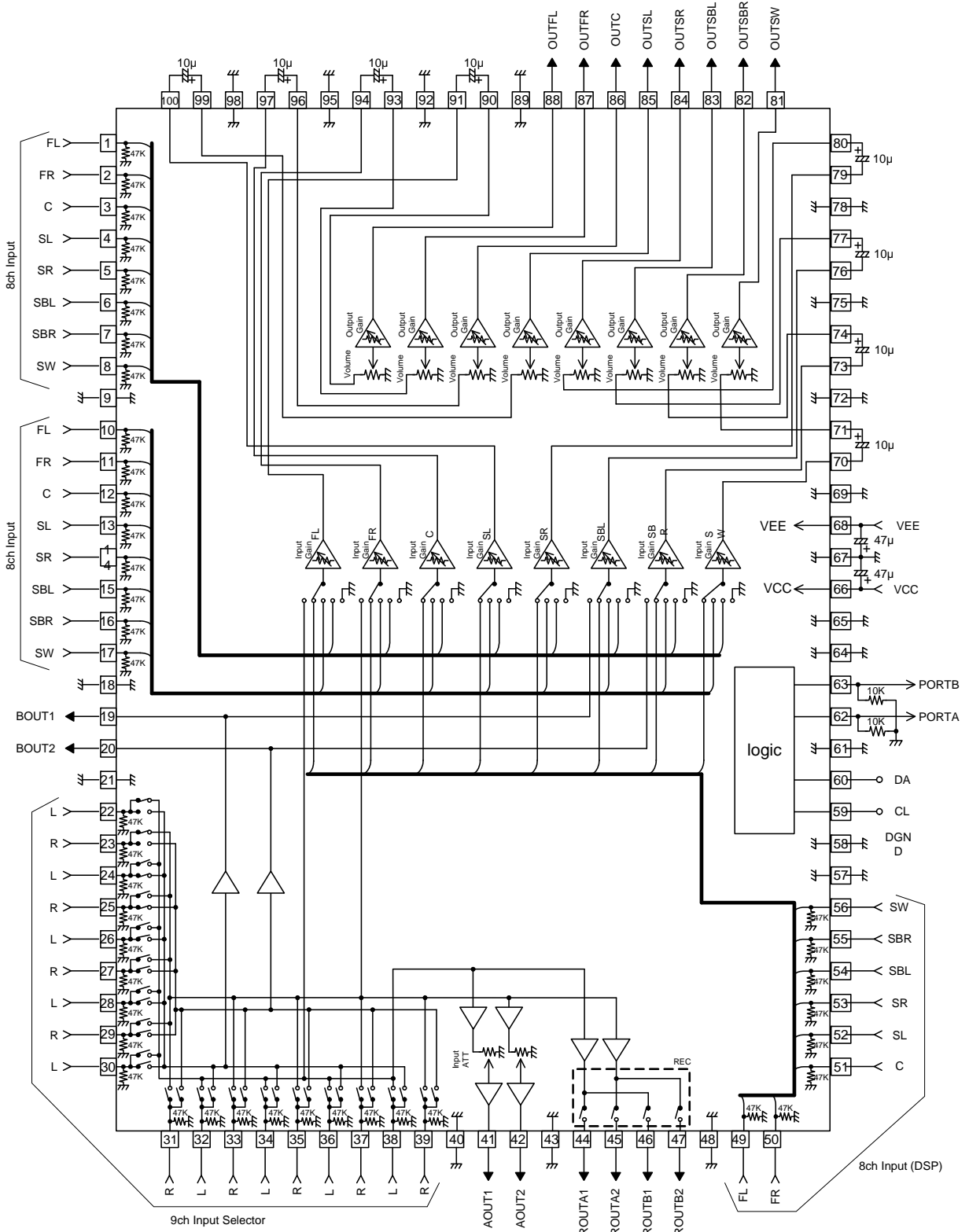
(Example) When changing Output Gain SWch, Input direction

← MSB LSB

Data(3)	L
---------	---

"L" means latch.

●Application circuit



UNIT
RESISTOR : Ω
CAPACITOR : F

Fig.2

●Reference data

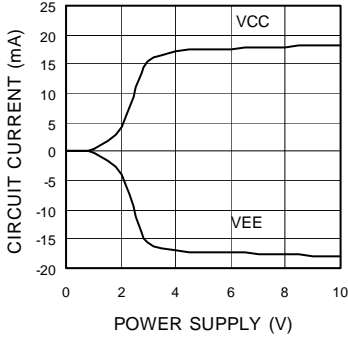


Fig.3 Circuit Current - Power Supply

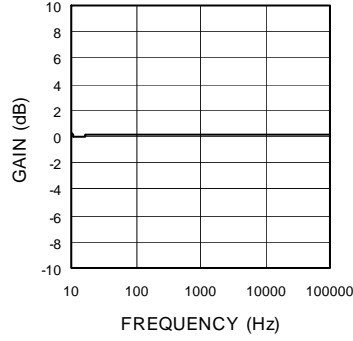


Fig.4 Voltage Gain - Frequency

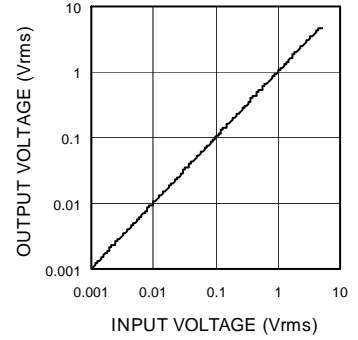


Fig.5 Output Voltage - Input Voltage

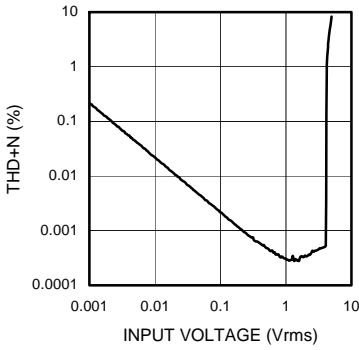


Fig.6 THD+N - Input Voltage

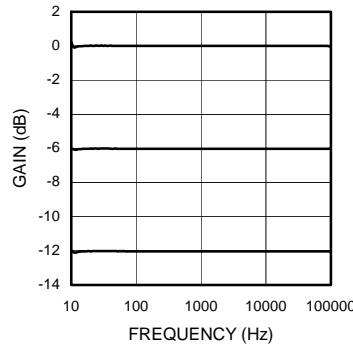


Fig.7 Input Attenuation - Frequency

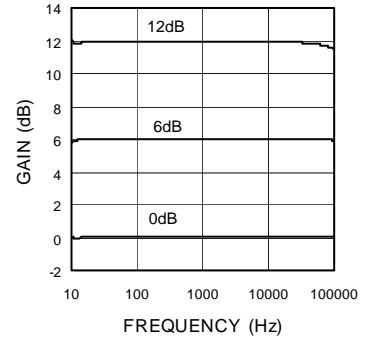


Fig.8 Input Gain - Frequency

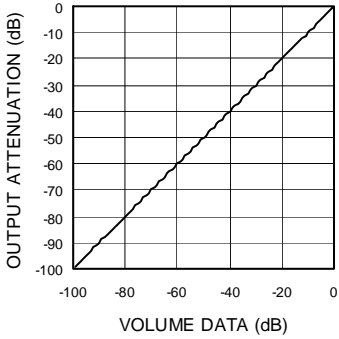


Fig.9 Volume Attenuation - Volume Settin

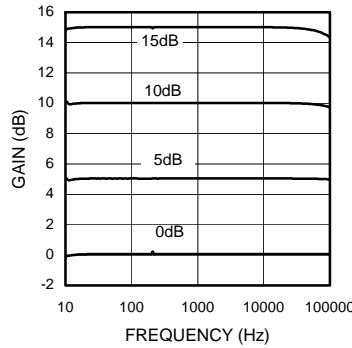


Fig.10 Output Gain - Frequency

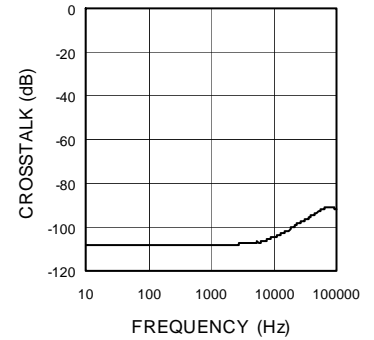


Fig.11 Cross-talk between Channels - Frequency

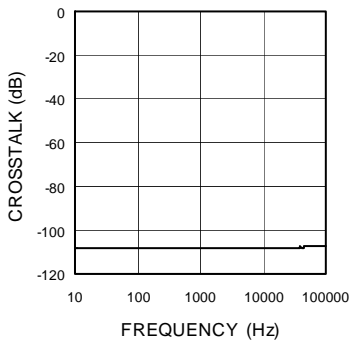


Fig.12 Cross-talk between Selectors - Frequency

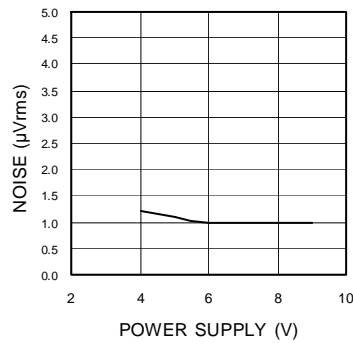


Fig.13 Output Noise Voltage - Power Supply Voltage

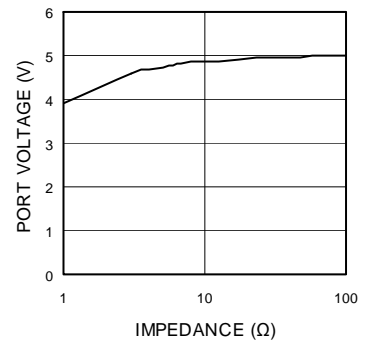


Fig.14 Port H Voltage - Load Resistance

●Notes for use

- (1) Numbers and data in entries are representative design values and are not guaranteed values of the items.
- (2) Although we are confident in recommending the sample application circuits, carefully check their characteristics further when using them. When modifying externally attached component constants before use, determine them so that they have sufficient margins by taking into account variations in externally attached components and the Rohm LSI, not only for static characteristics but also including transient characteristics.
- (3) Absolute maximum ratings
If applied voltage, operating temperature range, or other absolute maximum ratings are exceeded, the LSI may be damaged. Do not apply voltages or temperatures that exceed the absolute maximum ratings. If you think of a case in which absolute maximum ratings are exceeded, enforce fuses or other physical safety measures and investigate how not to apply the conditions under which absolute maximum ratings are exceeded to the LSI.
- (4) VEE potential
Make the VEE pin voltage such that it is the lowest voltage even when operating below it. Actually confirm that the voltage of each pin does not become a lower voltage than the VEE pin, including transient phenomena.
- (5) Thermal design
Perform thermal design in which there are adequate margins by taking into account the allowable power dissipation in actual states of use.
- (6) Shorts between pins and misinstallation
When mounting the LSI on a board, pay adequate attention to orientation and placement discrepancies of the LSI. If it is misinstalled and the power is turned on, the LSI may be damaged. It also may be damaged if it is shorted by a foreign substance coming between pins of the LSI or between a pin and a power supply or a pin and a GND.
- (7) Operation in strong magnetic fields
Adequately evaluate use in a strong magnetic field, since there is a possibility of malfunction.
- (8) About Operating Voltage Range and Operating Temperature Range
The circuit functional operations are guaranteed within the Operating Voltage Range and Operating Temperature Range. The standard values of electrical characteristics, however, are guaranteed under the specific conditions. Accordingly, careful consideration of the IC characteristic variations is required to design a set of circuit.
- (9) About power ON/OFF
 - (a) At power ON/OFF, a shock sound will be generated and, therefore, use MUTE on the set.
 - (b) When turning on power supplies, VEE and VCC should be powered on simultaneously or VEE first; then followed by VCC. If the VCC side is started up first, an excessive current may pass VCC through VEE.
- (10) About serial control
For the CL and DA terminals, the patterned and other wirings should be routed not to cause interference with the analog-signal-related lines.
- (11) About function switching
When switching Input Selector or Input Gain, use MUTE on Master Volume.

●Thermal derating characteristic

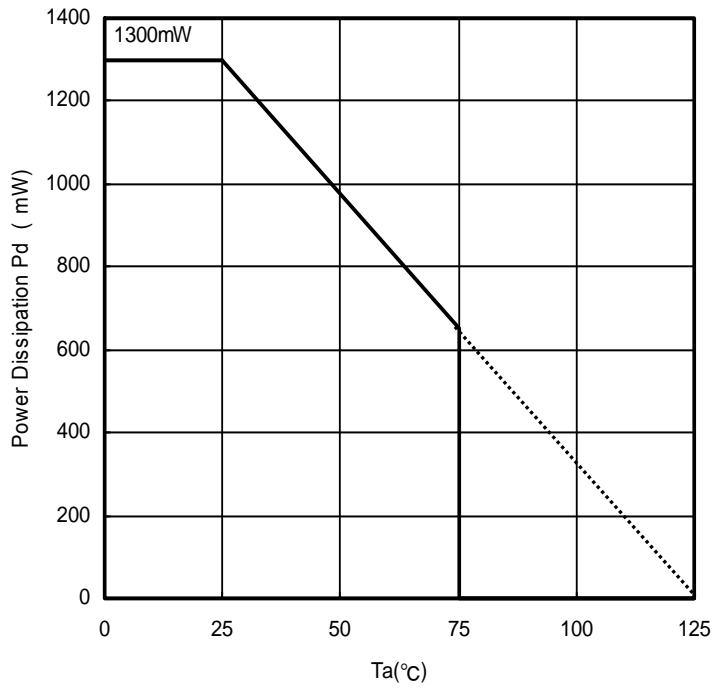


Fig.15

BD3452KS
ROHM standard board packaging time value
Board size: 70 x 70 x 1.6mm Raw material : FR4 glass epoxy board (copper area 3% or below)

●Ordering part number

B	D
---	---

Part No.

3	4	5	2
---	---	---	---

Part No.

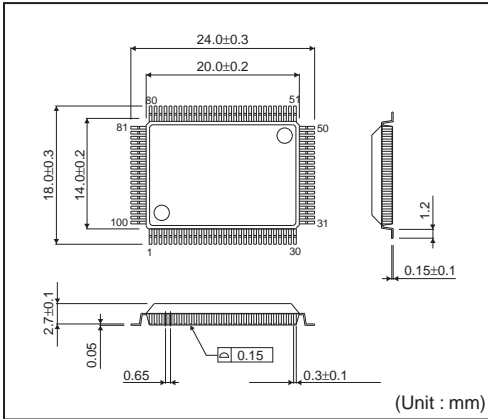
K	S
---	---

Package
KS: SQFP100

--	--

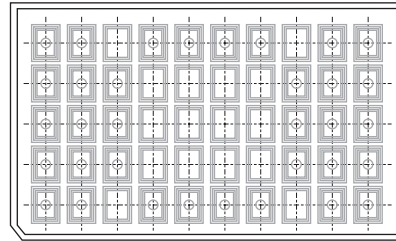
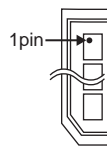
Packaging and forming specification
None :Tray

SQFP100



<Tape and Reel information>

Container	Tray (with dry pack)
Quantity	500pcs
Direction of feed	Direction of product is fixed in a tray



* Order quantity needs to be multiple of the minimum quantity.

Notice

Precaution on using ROHM Products

- Our Products are designed and manufactured for application in ordinary electronic equipments (such as AV equipment, OA equipment, telecommunication equipment, home electronic appliances, amusement equipment, etc.). If you intend to use our Products in devices requiring extremely high reliability (such as medical equipment ^(Note 1), transport equipment, traffic equipment, aircraft/spacecraft, nuclear power controllers, fuel controllers, car equipment including car accessories, safety devices, etc.) and whose malfunction or failure may cause loss of human life, bodily injury or serious damage to property ("Specific Applications"), please consult with the ROHM sales representative in advance. Unless otherwise agreed in writing by ROHM in advance, ROHM shall not be in any way responsible or liable for any damages, expenses or losses incurred by you or third parties arising from the use of any ROHM's Products for Specific Applications.

(Note1) Medical Equipment Classification of the Specific Applications

JAPAN	USA	EU	CHINA
CLASS III	CLASS III	CLASS II b	CLASS III
CLASS IV		CLASS III	

- ROHM designs and manufactures its Products subject to strict quality control system. However, semiconductor products can fail or malfunction at a certain rate. Please be sure to implement, at your own responsibilities, adequate safety measures including but not limited to fail-safe design against the physical injury, damage to any property, which a failure or malfunction of our Products may cause. The following are examples of safety measures:
 - Installation of protection circuits or other protective devices to improve system safety
 - Installation of redundant circuits to reduce the impact of single or multiple circuit failure
- Our Products are designed and manufactured for use under standard conditions and not under any special or extraordinary environments or conditions, as exemplified below. Accordingly, ROHM shall not be in any way responsible or liable for any damages, expenses or losses arising from the use of any ROHM's Products under any special or extraordinary environments or conditions. If you intend to use our Products under any special or extraordinary environments or conditions (as exemplified below), your independent verification and confirmation of product performance, reliability, etc. prior to use, must be necessary:
 - Use of our Products in any types of liquid, including water, oils, chemicals, and organic solvents
 - Use of our Products outdoors or in places where the Products are exposed to direct sunlight or dust
 - Use of our Products in places where the Products are exposed to sea wind or corrosive gases, including Cl₂, H₂S, NH₃, SO₂, and NO₂
 - Use of our Products in places where the Products are exposed to static electricity or electromagnetic waves
 - Use of our Products in proximity to heat-producing components, plastic cords, or other flammable items
 - Sealing or coating our Products with resin or other coating materials
 - Use of our Products without cleaning residue of flux (even if you use no-clean type fluxes, cleaning residue of flux is recommended); or Washing our Products by using water or water-soluble cleaning agents for cleaning residue after soldering
 - Use of the Products in places subject to dew condensation
- The Products are not subject to radiation-proof design.
- Please verify and confirm characteristics of the final or mounted products in using the Products.
- In particular, if a transient load (a large amount of load applied in a short period of time, such as pulse. is applied, confirmation of performance characteristics after on-board mounting is strongly recommended. Avoid applying power exceeding normal rated power; exceeding the power rating under steady-state loading condition may negatively affect product performance and reliability.
- De-rate Power Dissipation (Pd) depending on Ambient temperature (Ta). When used in sealed area, confirm the actual ambient temperature.
- Confirm that operation temperature is within the specified range described in the product specification.
- ROHM shall not be in any way responsible or liable for failure induced under deviant condition from what is defined in this document.

Precaution for Mounting / Circuit board design

- When a highly active halogenous (chlorine, bromine, etc.) flux is used, the residue of flux may negatively affect product performance and reliability.
- In principle, the reflow soldering method must be used; if flow soldering method is preferred, please consult with the ROHM representative in advance.

For details, please refer to ROHM Mounting specification

Precautions Regarding Application Examples and External Circuits

1. If change is made to the constant of an external circuit, please allow a sufficient margin considering variations of the characteristics of the Products and external components, including transient characteristics, as well as static characteristics.
2. You agree that application notes, reference designs, and associated data and information contained in this document are presented only as guidance for Products use. Therefore, in case you use such information, you are solely responsible for it and you must exercise your own independent verification and judgment in the use of such information contained in this document. ROHM shall not be in any way responsible or liable for any damages, expenses or losses incurred by you or third parties arising from the use of such information.

Precaution for Electrostatic

This Product is electrostatic sensitive product, which may be damaged due to electrostatic discharge. Please take proper caution in your manufacturing process and storage so that voltage exceeding the Products maximum rating will not be applied to Products. Please take special care under dry condition (e.g. Grounding of human body / equipment / solder iron, isolation from charged objects, setting of ionizer, friction prevention and temperature / humidity control).

Precaution for Storage / Transportation

1. Product performance and soldered connections may deteriorate if the Products are stored in the places where:
 - [a] the Products are exposed to sea winds or corrosive gases, including Cl₂, H₂S, NH₃, SO₂, and NO₂
 - [b] the temperature or humidity exceeds those recommended by ROHM
 - [c] the Products are exposed to direct sunshine or condensation
 - [d] the Products are exposed to high Electrostatic
2. Even under ROHM recommended storage condition, solderability of products out of recommended storage time period may be degraded. It is strongly recommended to confirm solderability before using Products of which storage time is exceeding the recommended storage time period.
3. Store / transport cartons in the correct direction, which is indicated on a carton with a symbol. Otherwise bent leads may occur due to excessive stress applied when dropping of a carton.
4. Use Products within the specified time after opening a humidity barrier bag. Baking is required before using Products of which storage time is exceeding the recommended storage time period.

Precaution for Product Label

QR code printed on ROHM Products label is for ROHM's internal use only.

Precaution for Disposition

When disposing Products please dispose them properly using an authorized industry waste company.

Precaution for Foreign Exchange and Foreign Trade act

Since our Products might fall under controlled goods prescribed by the applicable foreign exchange and foreign trade act, please consult with ROHM representative in case of export.

Precaution Regarding Intellectual Property Rights

1. All information and data including but not limited to application example contained in this document is for reference only. ROHM does not warrant that foregoing information or data will not infringe any intellectual property rights or any other rights of any third party regarding such information or data. ROHM shall not be in any way responsible or liable for infringement of any intellectual property rights or other damages arising from use of such information or data.:
2. No license, expressly or implied, is granted hereby under any intellectual property rights or other rights of ROHM or any third parties with respect to the information contained in this document.

Other Precaution

1. This document may not be reprinted or reproduced, in whole or in part, without prior written consent of ROHM.
2. The Products may not be disassembled, converted, modified, reproduced or otherwise changed without prior written consent of ROHM.
3. In no event shall you use in any way whatsoever the Products and the related technical information contained in the Products or this document for any military purposes, including but not limited to, the development of mass-destruction weapons.
4. The proper names of companies or products described in this document are trademarks or registered trademarks of ROHM, its affiliated companies or third parties.

General Precaution

1. Before you use our Products, you are requested to carefully read this document and fully understand its contents. ROHM shall not be in any way responsible or liable for failure, malfunction or accident arising from the use of any ROHM's Products against warning, caution or note contained in this document.
2. All information contained in this document is current as of the issuing date and subject to change without any prior notice. Before purchasing or using ROHM's Products, please confirm the latest information with a ROHM sales representative.
3. The information contained in this document is provided on an "as is" basis and ROHM does not warrant that all information contained in this document is accurate and/or error-free. ROHM shall not be in any way responsible or liable for any damages, expenses or losses incurred by you or third parties resulting from inaccuracy or errors of or concerning such information.