

Mobile Phone Module Drivers

Bi-directional VCM Driver for Autofocus

BU64253GWZ

General Description

The BU64253GWZ is designed to drive Bi-directional voice coil motors. Additionally the driver is able to source the output current without the need for a direction control signal. The driver includes ISRC (Intelligent Slew Rate Control) to reduce mechanical ringing to optimize the camera's autofocus capabilities.

Key Specifications

■ Power Supply Voltage:	2.5 V to 4.5 V
■ Output Resistance:	3.2 Ω (Typ)
■ Master Clock:	2 MHz (Typ)
■ Output Current:	-100 mA to +100 mA
■ Operating Temperature:	-25 °C to +85 °C

Features

- Bi-directional Constant Current Driver
- 10 bit Resolution Current Control
- ISRC Mechanical Ringing Compensation
- 2-wire Serial Interface (I²C FAST-MODE Plus Compatible)
- Integrated Current Sense Resistor

Package

UCSP30L1A(6pin)

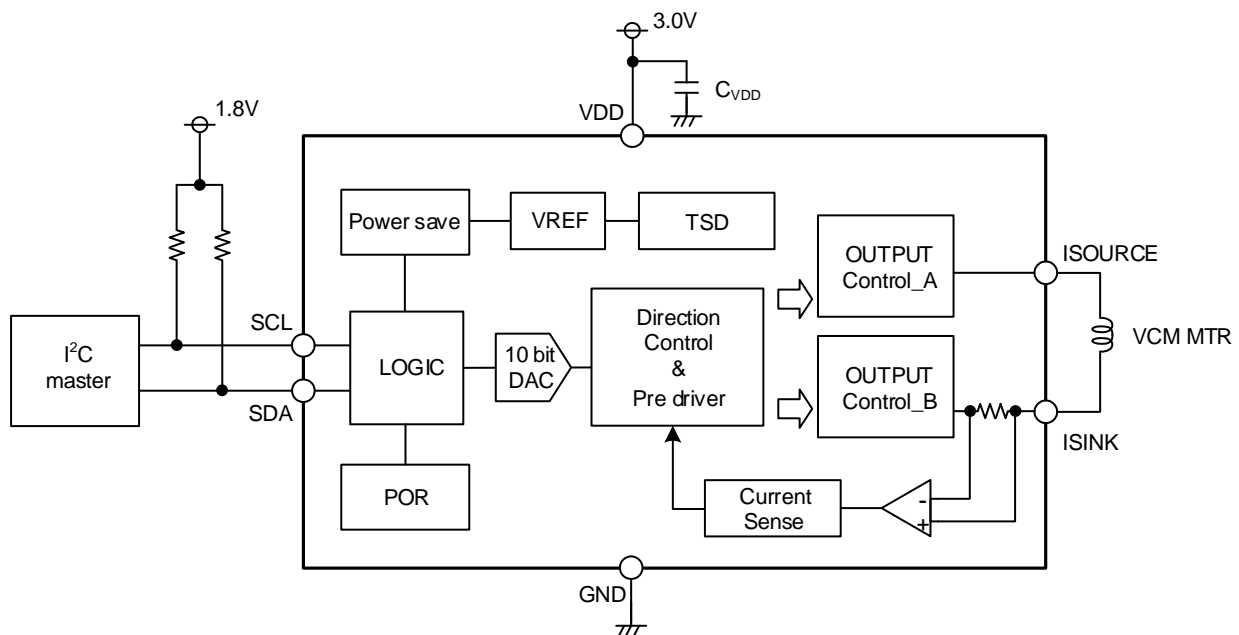
W (Typ) x D (Typ) x H (Max)

0.72 mm x 1.13 mm x 0.33 mm

Applications

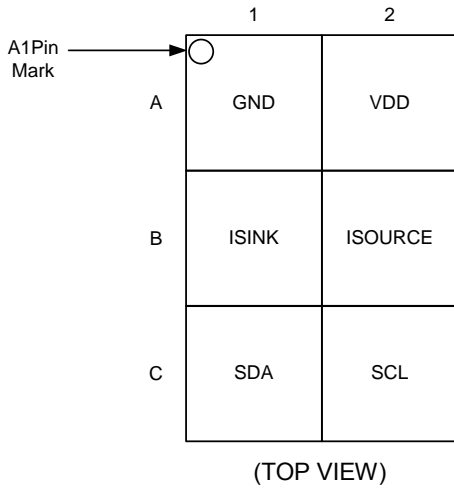
- Mobile Camera Module
- Bi-directional VCM Actuators

Typical Application Circuit



○Product structure : Silicon monolithic integrated circuit ○This product has no designed protection against radioactive rays

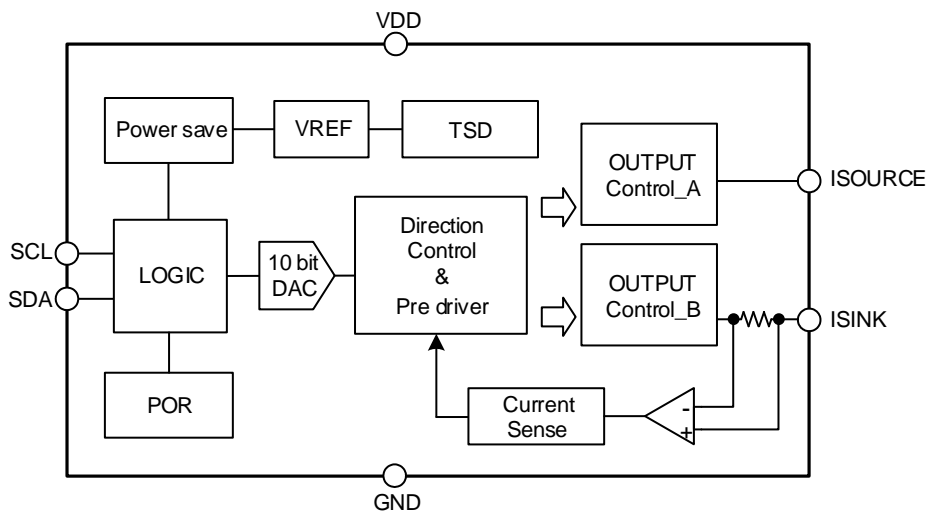
Pin Configuration



Pin Description

Pin No.	Pin Name	Function
A1	GND	Ground
A2	VDD	Power Supply Voltage
B1	ISINK	Output -
B2	ISOURCE	Output +
C1	SDA	2-wire Serial Interface Data Input
C2	SCL	2-wire Serial Interface Clock Input

Block Diagram



Absolute Maximum Ratings (Ta = 25 °C)

Parameter	Symbol	Rating	Unit
Power Supply Voltage	V _{DD}	-0.3 to +5.5	V
Control Input Voltage ^(Note 1)	V _{IN}	-0.3 to +5.5	V
Power Dissipation ^(Note 2)	P _d	0.29	W
Maximum Junction Temperature	T _{Jmax}	125	°C
Storage Temperature Range	T _{stg}	-55 to +125	°C
Output Current ^(Note 3)	I _{OUT}	-150 to +150	mA

Caution 1: Operating the IC over the absolute maximum ratings may damage the IC. The damage can either be a short circuit between pins or an open circuit between pins and the internal circuitry. Therefore, it is important to consider circuit protection measures, such as adding a fuse, in case the IC is operated over the absolute maximum ratings.

Caution 2: Should by any chance the maximum junction temperature rating be exceeded the rise in temperature of the chip may result in deterioration of the properties of the chip. In case of exceeding this absolute maximum rating, design a PCB boards with power dissipation taken into consideration by increasing board size and copper area so as not to exceed the maximum junction temperature rating.

(Note 1) V_{IN} is 2-wire serial interface input pins (SCL, SDA).

(Note 2) UCSP30L1A package. Reduced by 0.29 W/°C when operating above Ta=25 °C (when mounted in ROHM's standard board).

(Note 3) Must not exceed Pd, ASO, or T_{Jmax}=125 °C.

Recommended Operating Conditions

Parameter	Symbol	Rating			Unit
		Min	Typ	Max	
Power Supply Voltage	V _{DD}	2.5	-	4.5	V
Control Input Voltage ^(Note 4)	V _{IN}	0	-	4.5	V
2-wire Serial Interface Frequency	f _{CLK}	0	-	1	MHz
Output Current ^(Note 5)	I _{OUT}	-100	-	+100	mA
Operating Temperature	T _{opr}	-25		+85	°C
Capacitance of VDD Capacitor ^(Note 6)	C _{VDD}	0.5	1.0	-	μF

(Note 4) V_{IN} is 2-wire serial interface input pins (SCL, SDA).

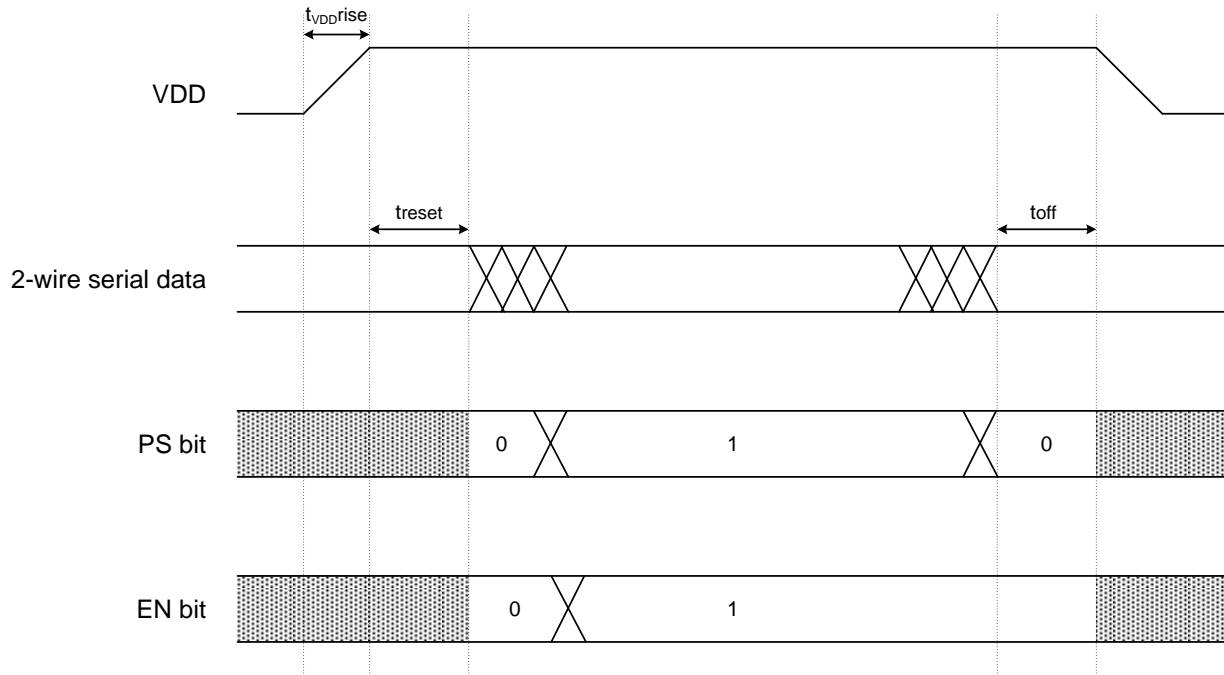
(Note 5) Must not exceed Pd, ASO, or T_{Jmax}=125 °C.

(Note 6) Ceramic capacitor is recommended. The capacitor value including temperature change, DC bias change, and aging change must be larger than minimum value.

Electrical Characteristics(Unless otherwise specified Ta=25 °C, V_{DD}=3.0 V)

Parameter	Symbol	Limit			Unit	Conditions
		Min	Typ	Max		
Power Consumption						
Standby Current	I _{CCST}	-	60	120	μA	PS bit = 0, EN bit = 0
Circuit Current	I _{CC}	-	1.0	1.6	mA	PS bit = 1, EN bit = 0
Control Input (V_{IN} = SCL, SDA)						
High Level Input Voltage	V _{INH}	1.2	-	4.8	V	
Low Level Input Voltage	V _{INL}	0	-	0.5	V	
Low Level Output Voltage	V _{INOL}	-	-	0.4	V	I _{IN} = +3mA (SDA)
High Level Input Current	I _{INH}	-5	-	+5	μA	Input Voltage = 0.9 x V _{IN}
Low Level Input Current	I _{INL}	-5	-	+5	μA	Input Voltage = 0.1 x V _{IN}
Master Clock						
MCLK Accuracy	-	-3	-	+3	%	2MHz (Typ)
10 Bit D/A Converter (for Controlling Output Current)						
Resolution	-	-	10	-	bits	
Differential Nonlinearity	-	-1	-	+1	LSB	
Integral Nonlinearity	-	-4	-	+4	LSB	
Output Current Performance						
Output Reference Current 1	I _{OREF1}	-3	0	+3	mA	Target position DAC Code = 0x200 (Initial Value)
Output Reference Current 2	I _{OREF2}	95	100	105	mA	Target position DAC Code = 0x3FF
Output Reference Current 3	I _{OREF3}	-105	-100	-95	mA	Target position DAC Code = 0x000
Output Resistance	R _{OUT}	-	3.2	3.7	Ω	

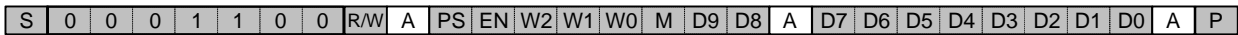
Timing Chart



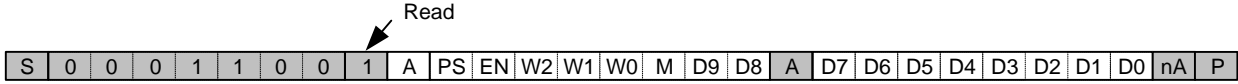
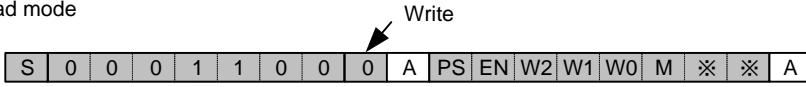
Parameter	Symbol	Min	Typ	Max	Unit
VDD Rise Time	$t_{vDDrise}$	0	-	-	μs
Time from VDD Rise to First Serial Command	t_{reset}	20	-	-	μs
Time Delay of Last Serial Command to VDD Fall	t_{off}	1.3	-	-	μs

2-wire Serial BUS Format (FAST-MODE Plus SCL = 1 MHz)

Write mode(R/W = 0) Output from Master Output from Slave



Read mode



S: start signal P: stop signal
 A: acknowledge nA: non acknowledge ※: Don't care

Register Name	Setting Item	Description	Initial Value
R/W	Read/Write Setting	0 = Write to serial registers, 1 = Read from serial registers	0
PS	Serial Power Save	0 = Driver in standby mode, 1 = Driver in operating mode	0
EN	Output Pin Status	0 = Output current set to zero and idling current set to zero, 1 = Constant current drive	0
W[2:0]	Register Address	000 = Limit Current	0x0
		001 = ISRC Mode	
		010 = Resonance Frequency	
		011 = Don't care	
		100 = Don't care	
		101 = Test mode	
M	Mode Select Signal	0 = Direct Mode, 1 = ISRC Mode	0
D[9:0]	Limit Current	Target position DAC Code D[9:0]	0x200
	ISRC Mode	ISRC Setting D[1:0] [D1:D0] = 0x0: Settling Time ((1/f ₀) x 0.48) [D1:D0] = 0x1: Settling Time ((1/f ₀) x 0.72) [D1:D0] = 0x2: Settling Time ((1/f ₀) x 0.92) [D1:D0] = 0x3: Settling Time ((1/f ₀) x 1.20)	0x0
	Resonance Frequency	Actuator resonance frequency setting D[7:0], 0.4 Hz/LSB(0x00 to 0xFF) D[7:0] = 0x00: 50 Hz D[7:0] = 0xFF: 152 Hz	0x7D
	Reference DAC Code	Reference DAC Code D[7:0] = 0x40 to 0xC0	0x80

Register Update Timing

- PS – Register is updated during the 2nd ACK response
- EN – Register is updated during the 3rd ACK response
- W[2:0] – Register is updated during the 2nd ACK response
- M – Register is updated during the 3rd ACK response
- D[9:0] – Register is updated during the 3rd ACK response

Characteristics of the SDA and SCL Bus Lines for 2-wire Serial Interface

(Unless otherwise specified Ta = 25 °C, VDD = 2.5 V to 4.5 V)

Parameter	Symbol	FAST-MODE Plus <i>(Note 7)</i>		FAST-MODE <i>(Note 7)</i>		STANDARD-MODE <i>(Note 7)</i>		Unit
		Min	Max	Min	Max	Min	Max	
SCL Clock Frequency	f _{SCL}	-	1000	-	400	-	100	kHz
High Period of the SCL Clock	t _{HIGH}	0.26	-	0.6	-	4.0	-	µs
Low Period of SCL Clock	t _{LOW}	0.5	-	1.3	-	4.7	-	µs
Hold Time (repeated) START Condition	t _{HD:STA}	0.26	-	0.6	-	4.0	-	µs
Setup Time (repeated) START Condition	t _{SU:STA}	0.26	-	0.6	-	4.7	-	µs
Data Hold Time	t _{HD:DAT}	0	0.45	0	0.9	0	3.45	µs
Data Setup Time	t _{SU:DAT}	50	-	100	-	250	-	ns
Setup Time for STOP Condition	t _{SU:STO}	0.26	-	0.6	-	4.0	-	µs
Bus Free Time between STOP and START Condition	t _{BUF}	0.5	-	1.3	-	4.7	-	µs

(Note 7) STANDARD-MODE, FAST-MODE, and FAST-MODE PLUS 2-wire Serial Interface devices must be able to transmit or receive at the designated speed. The maximum bit transfer rates are 100 kbit/s for STANDARD-MODE devices, 400 kbit/s for FAST-MODE devices, and 1 Mbit/s for FAST-MODE PLUS devices. This transfer rates are based on the maximum transfer rate. For example, the bus is able to drive 1 Mbit/s clocks with FAST-MODE PLUS.

2-wire Serial Interface Timing

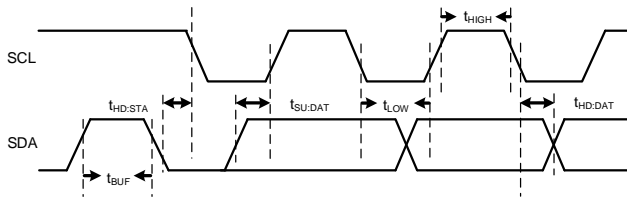


Figure 1. Serial Data Timing

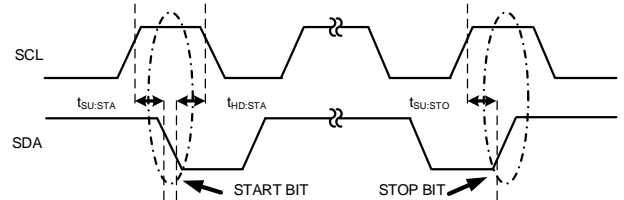


Figure 2. START and STOP Bit Timing

ISRC Mode Update Timing (Typ)

Following shows ISRC parameters.

Register Address W[2:0]	ISRC Mode D[1:0]	Slew_rate	Settling Time	Function Name
0x1	0x0	0.48 times	$(1/f_0) \times 0.48$	0.48 times control mode
0x1	0x1	0.72 times	$(1/f_0) \times 0.72$	0.72 times control mode
0x1	0x2	0.92 times	$(1/f_0) \times 0.92$	0.92 times control mode
0x1	0x3	1.20 times	$(1/f_0) \times 1.20$	1.20 times control mode

1. Setting 0.48 times control mode

(1) Limit Current (W[2:0]=0x0) Update Timing

Settling Time is controlled by the resonant frequency of the actuator and the driver's slew rate speed setting.

This Settling Time is decided by the below Equation 1. Utilize the slew rate speed parameter in order to modify the Settling Time so that any updates to the Limit Current do not occur before the lens has settled.

$$0.70 \times T_0 \quad [\text{ms}] \quad \text{Equation 1}$$

Where:

f_0 is the VCM resonant frequency.

T_0 is the 1 over f_0 .

In case $f_0 = 100 \text{ Hz}$, $0.70 \times 10 \text{ ms} = 7 \text{ ms}$

(2) Slew_rate Update Timing (Change 0.72 times control mode, 0.92 times control mode or 1.20 times control mode)

Slew_rate update timing is also decided by the Equation 1.

Take care not to change ISRC Setting D[1:0] earlier than the timing decided by the Equation 1. The accidental current may be happened. However, this accidental current does not exceed maximum output current.

2. Setting 0.72 times control mode

(1) Limit Current (W[2:0]=0x0) Update Timing

Settling Time is controlled by the resonant frequency of the actuator and the driver's slew rate speed setting.

This Settling Time is decided by the below Equation 2. Utilize the slew rate speed parameter in order to modify the Settling Time so that any updates to the Limit Current do not occur before the lens has settled.

$$0.87 \times T_0 \quad [\text{ms}] \quad \text{Equation 2}$$

Where:

In case $f_0 = 100 \text{ Hz}$, $0.87 \times 10 \text{ ms} = 8.7 \text{ ms}$

(2) Slew_rate Update Timing (Change 0.48 times control mode, 0.92 times control mode or 1.20 times control mode)

When M becomes "1", take care not to change ISRC Setting D[1:0] earlier than the timing decided by the Equation 2. The accidental current may be happened. However, this accidental current does not exceed maximum output current.

It is necessary to change from M = "1" to M = "0" when ISRC Setting D[1:0] is changed after the time obtained by the Equation 2 passes.

Meanwhile, M = "1" and limit current code are input at the same time after ISRC Setting D[1:0] is updated.

3. Setting 0.92 times control mode

(1) Limit Current (W[2:0]=0x0) Update Timing

Settling Time is controlled by the resonant frequency of the actuator and the driver's slew rate speed setting.

This Settling Time is decided by the below Equation 3. Utilize the slew rate speed parameter in order to modify the Settling Time so that any updates to the Limit Current do not occur before the lens has settled.

$$1.20 \times T_0 \quad [\text{ms}] \quad \text{Equation 3}$$

Where:

In case $f_0 = 100 \text{ Hz}$, $1.20 \times 10 \text{ ms} = 12.0 \text{ ms}$

(2) Slew_rate Update Timing (Change 0.48 times control mode, 0.72 times control mode or 1.20 times control mode)

When M becomes "1", take care not to change ISRC Setting D[1:0] earlier than the timing decided by the Equation 3. the accidental current may be happened. However, this accidental current does not exceed maximum output current.

It is necessary to change from M = "1" to M = "0" when ISRC Setting D[1:0] is changed after the time obtained by the Equation 2 passes.

Meanwhile, M = "1" and limit current code are input at the same time after ISRC Setting D[1:0] is updated.

ISRC Mode Update Timing (Typ) - continued

4. Setting 1.2 times control mode

(1) Limit Current (W[2:0]=0x0) Update Timing

Settling Time is controlled by the resonant frequency of the actuator and the driver's slew rate speed setting.

This Settling Time is decided by the below Equation 4. Utilize the slew rate speed parameter in order to modify the Settling Time so that any updates to the Limit Current do not occur before the lens has settled.

$$1.60 \times T_0 \quad [\text{ms}] \quad \text{Equation 4}$$

Where:

In case $f_0 = 100 \text{ Hz}$, $1.60 \times 10 \text{ ms} = 16.0 \text{ ms}$

(2) Slew_rate Update Timing (Change 0.48 times control mode, 0.72 times control mode or 0.92 times control mode)

When M becomes "1", take care not to change ISRC Setting D[1:0] earlier than the timing decided by the Equation 4. The accidental current may be happened. However, this accidental current does not exceed maximum output current.

It is necessary to change from M = "1" to M = "0" when ISRC Setting D[1:0] is changed after the time obtained by the Equation 2 passes.

Meanwhile, M = "1" and limit current code are input at the same time after ISRC Setting D[1:0] is updated.

Description of Output Current Characteristics

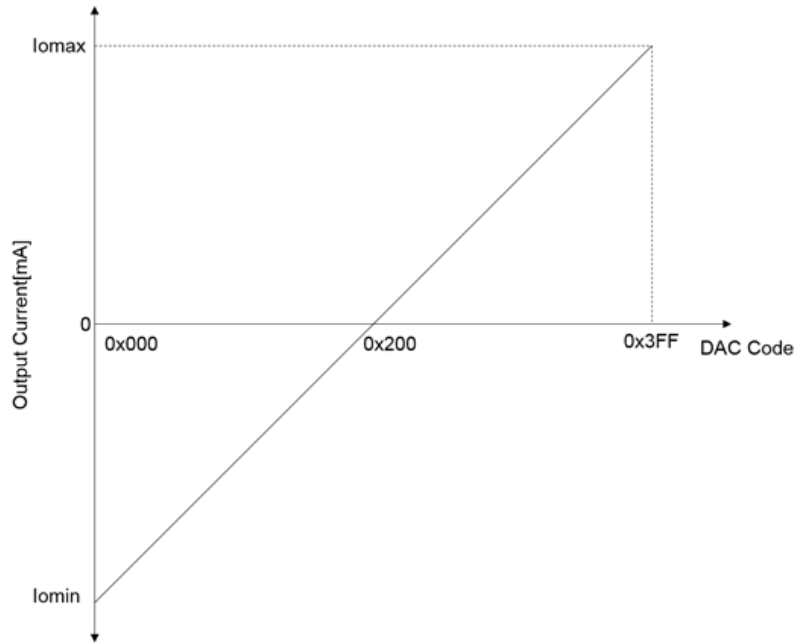


Figure 3. Description of Output Current Characteristics

The BU64253GWZ allows for configurable positive and negative output currents as well as the 0mA zero-cross reference point (REF). The 0mA REF value is set by modifying the W[2:0]=0x6 register with an 8-bit DAC code offset by 2 LSBs. For example, a REF value of 0x55 is normally shown as [0101 0101] or 0d085, however after adding 2 zeros to the LSB the binary value becomes [01 0101 0100] which corresponds to 0x154 and 340 for use in the below equation. Based on the adjusted REF value, the maximum output current of the BU64253GWZ is calculated as:

$$I_{Omax} = \left(\frac{200}{1023}\right) \times (0x3FF - REF) \quad [mA]$$

Additionally, based on the REF value, the minimum output current of the BU64253GWZ is calculated as:

$$I_{Omin} = \left(\frac{200}{1023}\right) \times -REF \quad [mA]$$

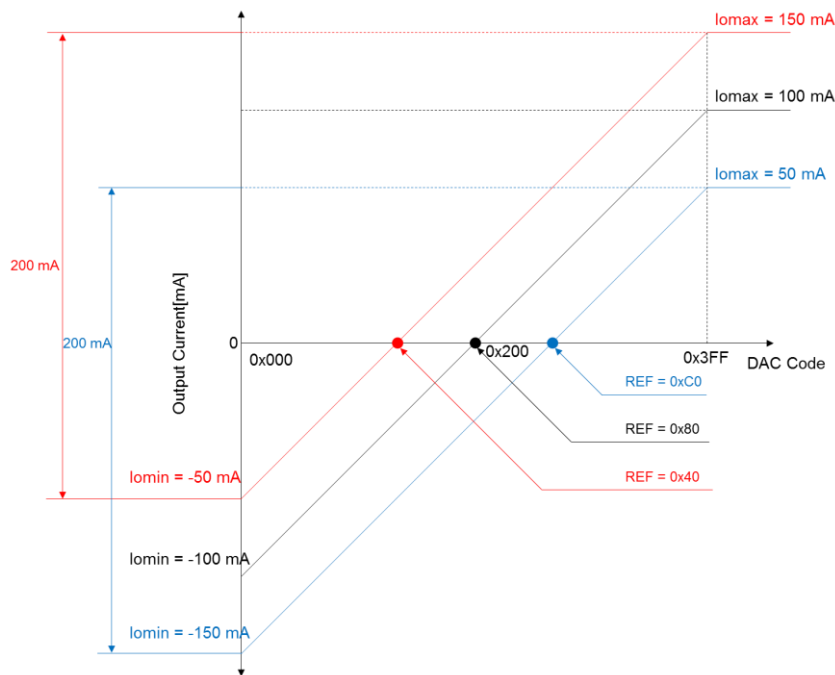


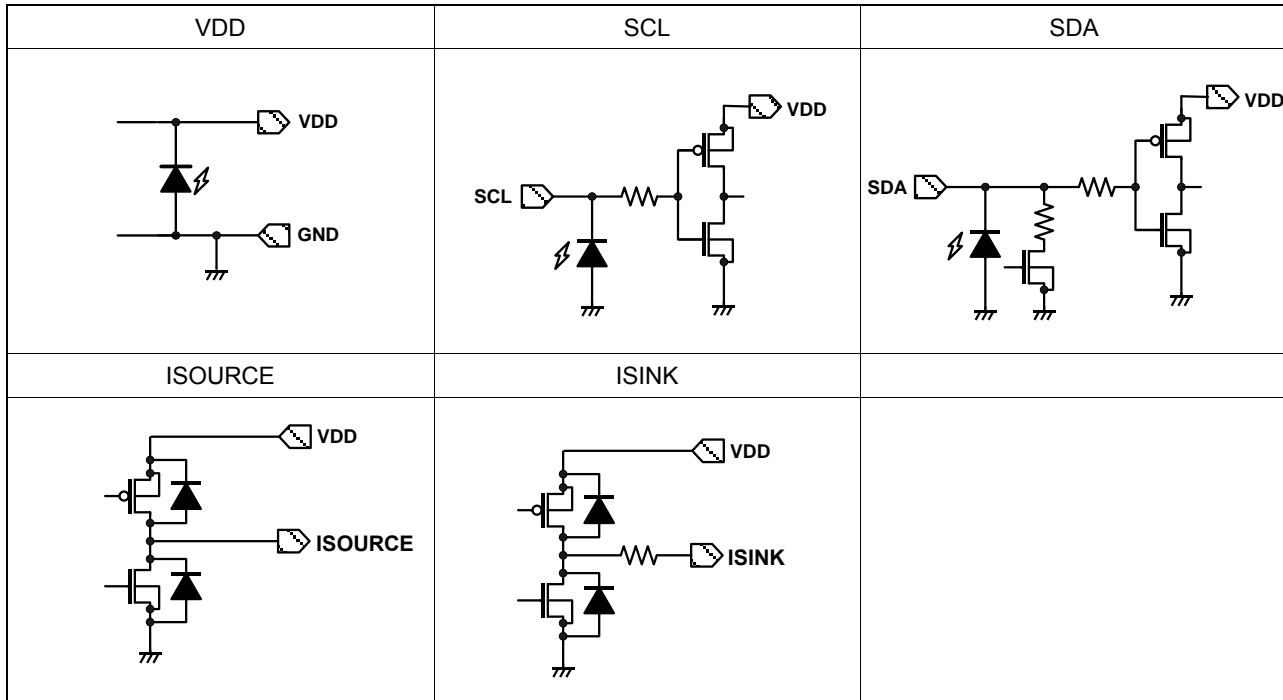
Figure 4. Example of Reference Code Setting

Description of Output Current Characteristics - continued

Please note that when calculating a REF value based on a target output current, the resulting REF value needs to be converted to an 8-bit DAC code by removing the 2 LSBs.

The Reference DAC Code should be set based on the properties of the VCM actuator. A traditional VCM actuator uses a barrel that rests against the mechanical end of the actuator when no current is applied to the coil. Using a traditional VCM requires the Reference DAC Code to be set to 0. Bi-directional VCM actuators have the natural position set based on the actuator manufacturers' process. Typically, the Reference DAC Code for Bi-directional VCM actuators should be set so that the output current range matches the natural full stroke range as closely as possible. The Reference DAC Code is set to 0x80 as a default after power initialization.

I/O Equivalence Circuit



Operational Notes

1. Reverse Connection of Power Supply

Connecting the power supply in reverse polarity can damage the IC. Take precautions against reverse polarity when connecting the power supply, such as mounting an external diode between the power supply and the IC's power supply pins.

2. Power Supply Lines

Design the PCB layout pattern to provide low impedance supply lines. Furthermore, connect a capacitor to ground at power supply pin. Consider the effect of temperature and aging on the capacitance value when using electrolytic capacitors.

3. Ground Voltage

Ensure that no pins are at a voltage below that of the ground pin at any time, even during transient condition.

4. Ground Wiring Pattern

When using both small-signal and large-current ground traces, the two ground traces should be routed separately but connected to a single ground at the reference point of the application board to avoid fluctuations in the small-signal ground caused by large currents. Also ensure that the ground traces of external components do not cause variations on the ground voltage. The ground lines must be as short and thick as possible to reduce line impedance.

5. Recommended Operating Conditions

The function and operation of the IC are guaranteed within the range specified by the recommended operating conditions. The characteristic values are guaranteed only under the conditions of each item specified by the electrical characteristics.

6. Inrush Current

When power is first supplied to the IC, it is possible that the internal logic may be unstable and inrush current may flow instantaneously due to the internal powering sequence and delays, especially if the IC has more than one power supply. Therefore, give special consideration to power coupling capacitance, power wiring, width of ground wiring, and routing of connections.

7. Operation Under Strong Electromagnetic Field

Operating the IC in the presence of a strong electromagnetic field may cause the IC to malfunction.

8. Testing on Application Boards

When testing the IC on an application board, connecting a capacitor directly to a low-impedance output pin may subject the IC to stress. Always discharge capacitors completely after each process or step. The IC's power supply should always be turned off completely before connecting or removing it from the test setup during the inspection process. To prevent damage from static discharge, ground the IC during assembly and use similar precautions during transport and storage.

9. Inter-pin Short and Mounting Errors

Ensure that the direction and position are correct when mounting the IC on the PCB. Incorrect mounting may result in damaging the IC. Avoid nearby pins being shorted to each other especially to ground, power supply and output pin. Inter-pin shorts could be due to many reasons such as metal particles, water droplets (in very humid environment) and unintentional solder bridge deposited in between pins during assembly to name a few.

10. Unused Input Pins

Input pins of an IC are often connected to the gate of a MOS transistor. The gate has extremely high impedance and extremely low capacitance. If left unconnected, the electric field from the outside can easily charge it. The small charge acquired in this way is enough to produce a significant effect on the conduction through the transistor and cause unexpected operation of the IC. So unless otherwise specified, unused input pins should be connected to the power supply or ground line.

11. Regarding the Input Pin of the IC

In the construction of this IC, P-N junctions are inevitably formed creating parasitic diodes or transistors. The operation of these parasitic elements can result in mutual interference among circuits, operational faults, or physical damage. Therefore, conditions which cause these parasitic elements to operate, such as applying a voltage to an input pin lower than the ground voltage should be avoided. Furthermore, do not apply a voltage to the input pins when no power supply voltage is applied to the IC. Even if the power supply voltage is applied, make sure that the input pins have voltages within the values specified in the electrical characteristics of this IC.

12. Ceramic Capacitor

When using a ceramic capacitor, determine a capacitance value considering the change of capacitance with temperature and the decrease in nominal capacitance due to DC bias and others.

Operational Notes – continued**13. Area of Safe Operation (ASO)**

Operate the IC such that the output voltage, output current, and power dissipation are all within the Area of Safe Operation (ASO).

14. Thermal Shutdown Circuit(TSD)

This IC has a built-in thermal shutdown circuit that prevents heat damage to the IC. Normal operation should always be within the IC's power dissipation rating. If however the rating is exceeded for a continued period, the junction temperature (T_j) will rise which will activate the TSD circuit that will turn OFF power output pins. When the T_j falls below the TSD threshold, the circuits are automatically restored to normal operation.

Note that the TSD circuit operates in a situation that exceeds the absolute maximum ratings and therefore, under no circumstances, should the TSD circuit be used in a set design or for any purpose other than protecting the IC from heat damage.

15. Disturbance Light

In a device where a portion of silicon is exposed to light such as in a WL-CSP and chip products, IC characteristics may be affected due to photoelectric effect. For this reason, it is recommended to come up with countermeasures that will prevent the chip from being exposed to light.

Ordering Information

B U 6 4 2 5 3 G W Z

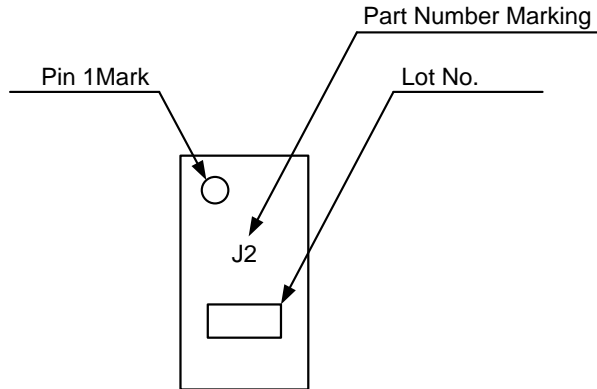
Part Number

Package
GWZ: UCSP30L1A

TR

Packaging and forming specification
TR: Embossed carrier tape

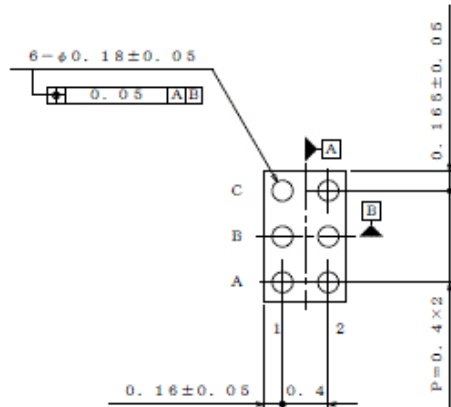
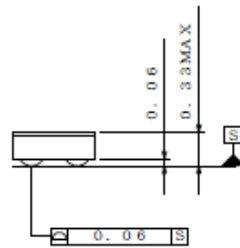
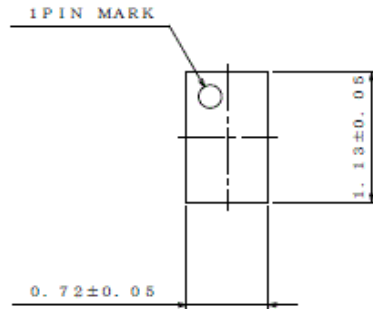
Marking Diagram



UCSP30L1A(TOP VIEW)

Physical Dimension and Packing Information

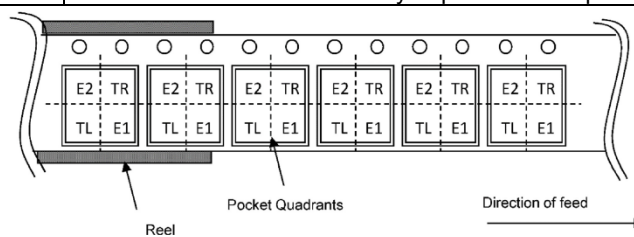
Package Name	UCSP30L1A
--------------	-----------



(Unit: mm)

< Tape and Reel Information >

Tape	Embossed carrier tape
Quantity	6,000pcs
Direction of feed	TR The direction is the pin 1 of product is at the upper right when you hold reel on the left hand and you pull out the tape on the right hand.



*Order quantity needs to be multiple of the minimum quantity.

Revision History

Date	Revision	Changes
16. Mar. 2018	001	New release

Notice

Precaution on using ROHM Products

- Our Products are designed and manufactured for application in ordinary electronic equipment (such as AV equipment, OA equipment, telecommunication equipment, home electronic appliances, amusement equipment, etc.). If you intend to use our Products in devices requiring extremely high reliability (such as medical equipment ^(Note 1), transport equipment, traffic equipment, aircraft/spacecraft, nuclear power controllers, fuel controllers, car equipment including car accessories, safety devices, etc.) and whose malfunction or failure may cause loss of human life, bodily injury or serious damage to property ("Specific Applications"), please consult with the ROHM sales representative in advance. Unless otherwise agreed in writing by ROHM in advance, ROHM shall not be in any way responsible or liable for any damages, expenses or losses incurred by you or third parties arising from the use of any ROHM's Products for Specific Applications.

(Note1) Medical Equipment Classification of the Specific Applications

JAPAN	USA	EU	CHINA
CLASS III	CLASS III	CLASS II b	CLASS III
CLASS IV		CLASS III	

- ROHM designs and manufactures its Products subject to strict quality control system. However, semiconductor products can fail or malfunction at a certain rate. Please be sure to implement, at your own responsibilities, adequate safety measures including but not limited to fail-safe design against the physical injury, damage to any property, which a failure or malfunction of our Products may cause. The following are examples of safety measures:
 - Installation of protection circuits or other protective devices to improve system safety
 - Installation of redundant circuits to reduce the impact of single or multiple circuit failure
- Our Products are designed and manufactured for use under standard conditions and not under any special or extraordinary environments or conditions, as exemplified below. Accordingly, ROHM shall not be in any way responsible or liable for any damages, expenses or losses arising from the use of any ROHM's Products under any special or extraordinary environments or conditions. If you intend to use our Products under any special or extraordinary environments or conditions (as exemplified below), your independent verification and confirmation of product performance, reliability, etc. prior to use, must be necessary:
 - Use of our Products in any types of liquid, including water, oils, chemicals, and organic solvents
 - Use of our Products outdoors or in places where the Products are exposed to direct sunlight or dust
 - Use of our Products in places where the Products are exposed to sea wind or corrosive gases, including Cl₂, H₂S, NH₃, SO₂, and NO₂
 - Use of our Products in places where the Products are exposed to static electricity or electromagnetic waves
 - Use of our Products in proximity to heat-producing components, plastic cords, or other flammable items
 - Sealing or coating our Products with resin or other coating materials
 - Use of our Products without cleaning residue of flux (even if you use no-clean type fluxes, cleaning residue of flux is recommended); or Washing our Products by using water or water-soluble cleaning agents for cleaning residue after soldering
 - Use of the Products in places subject to dew condensation
- The Products are not subject to radiation-proof design.
- Please verify and confirm characteristics of the final or mounted products in using the Products.
- In particular, if a transient load (a large amount of load applied in a short period of time, such as pulse. is applied, confirmation of performance characteristics after on-board mounting is strongly recommended. Avoid applying power exceeding normal rated power; exceeding the power rating under steady-state loading condition may negatively affect product performance and reliability.
- De-rate Power Dissipation depending on ambient temperature. When used in sealed area, confirm that it is the use in the range that does not exceed the maximum junction temperature.
- Confirm that operation temperature is within the specified range described in the product specification.
- ROHM shall not be in any way responsible or liable for failure induced under deviant condition from what is defined in this document.

Precaution for Mounting / Circuit board design

- When a highly active halogenous (chlorine, bromine, etc.) flux is used, the residue of flux may negatively affect product performance and reliability.
- In principle, the reflow soldering method must be used on a surface-mount products, the flow soldering method must be used on a through hole mount products. If the flow soldering method is preferred on a surface-mount products, please consult with the ROHM representative in advance.

For details, please refer to ROHM Mounting specification

Precautions Regarding Application Examples and External Circuits

1. If change is made to the constant of an external circuit, please allow a sufficient margin considering variations of the characteristics of the Products and external components, including transient characteristics, as well as static characteristics.
2. You agree that application notes, reference designs, and associated data and information contained in this document are presented only as guidance for Products use. Therefore, in case you use such information, you are solely responsible for it and you must exercise your own independent verification and judgment in the use of such information contained in this document. ROHM shall not be in any way responsible or liable for any damages, expenses or losses incurred by you or third parties arising from the use of such information.

Precaution for Electrostatic

This Product is electrostatic sensitive product, which may be damaged due to electrostatic discharge. Please take proper caution in your manufacturing process and storage so that voltage exceeding the Products maximum rating will not be applied to Products. Please take special care under dry condition (e.g. Grounding of human body / equipment / solder iron, isolation from charged objects, setting of Ionizer, friction prevention and temperature / humidity control).

Precaution for Storage / Transportation

1. Product performance and soldered connections may deteriorate if the Products are stored in the places where:
 - [a] the Products are exposed to sea winds or corrosive gases, including Cl₂, H₂S, NH₃, SO₂, and NO₂
 - [b] the temperature or humidity exceeds those recommended by ROHM
 - [c] the Products are exposed to direct sunshine or condensation
 - [d] the Products are exposed to high Electrostatic
2. Even under ROHM recommended storage condition, solderability of products out of recommended storage time period may be degraded. It is strongly recommended to confirm solderability before using Products of which storage time is exceeding the recommended storage time period.
3. Store / transport cartons in the correct direction, which is indicated on a carton with a symbol. Otherwise bent leads may occur due to excessive stress applied when dropping of a carton.
4. Use Products within the specified time after opening a humidity barrier bag. Baking is required before using Products of which storage time is exceeding the recommended storage time period.

Precaution for Product Label

A two-dimensional barcode printed on ROHM Products label is for ROHM's internal use only.

Precaution for Disposition

When disposing Products please dispose them properly using an authorized industry waste company.

Precaution for Foreign Exchange and Foreign Trade act

Since concerned goods might be fallen under listed items of export control prescribed by Foreign exchange and Foreign trade act, please consult with ROHM in case of export.

Precaution Regarding Intellectual Property Rights

1. All information and data including but not limited to application example contained in this document is for reference only. ROHM does not warrant that foregoing information or data will not infringe any intellectual property rights or any other rights of any third party regarding such information or data.
2. ROHM shall not have any obligations where the claims, actions or demands arising from the combination of the Products with other articles such as components, circuits, systems or external equipment (including software).
3. No license, expressly or implied, is granted hereby under any intellectual property rights or other rights of ROHM or any third parties with respect to the Products or the information contained in this document. Provided, however, that ROHM will not assert its intellectual property rights or other rights against you or your customers to the extent necessary to manufacture or sell products containing the Products, subject to the terms and conditions herein.

Other Precaution

1. This document may not be reprinted or reproduced, in whole or in part, without prior written consent of ROHM.
2. The Products may not be disassembled, converted, modified, reproduced or otherwise changed without prior written consent of ROHM.
3. In no event shall you use in any way whatsoever the Products and the related technical information contained in the Products or this document for any military purposes, including but not limited to, the development of mass-destruction weapons.
4. The proper names of companies or products described in this document are trademarks or registered trademarks of ROHM, its affiliated companies or third parties.

General Precaution

1. Before you use our Products, you are requested to carefully read this document and fully understand its contents. ROHM shall not be in any way responsible or liable for failure, malfunction or accident arising from the use of any ROHM's Products against warning, caution or note contained in this document.
2. All information contained in this document is current as of the issuing date and subject to change without any prior notice. Before purchasing or using ROHM's Products, please confirm the latest information with a ROHM sales representative.
3. The information contained in this document is provided on an "as is" basis and ROHM does not warrant that all information contained in this document is accurate and/or error-free. ROHM shall not be in any way responsible or liable for any damages, expenses or losses incurred by you or third parties resulting from inaccuracy or errors of or concerning such information.