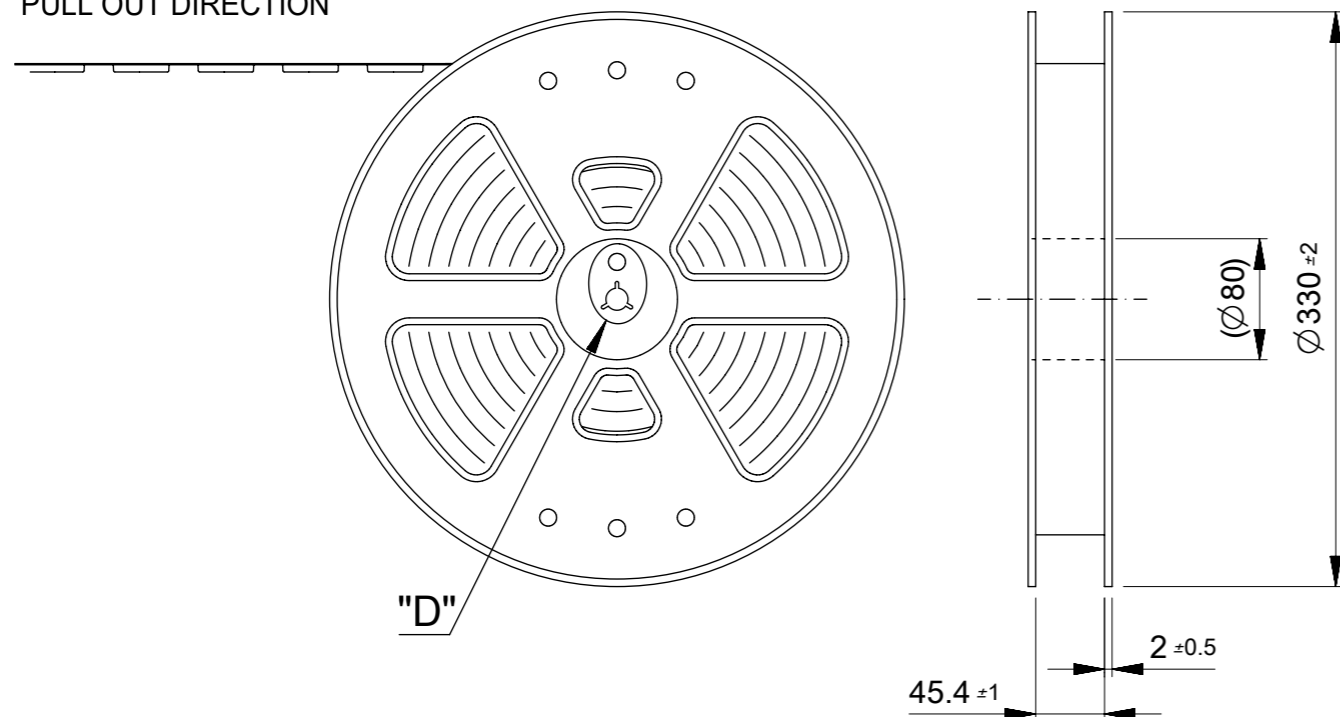
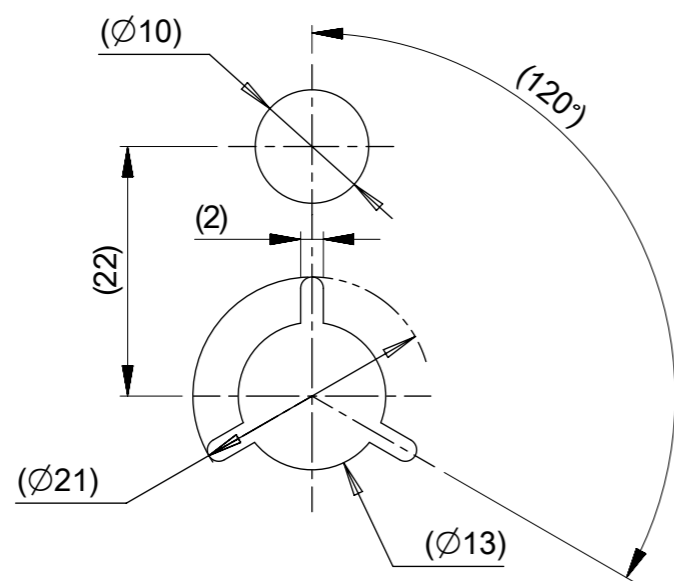


引き出し方向
PULL OUT DIRECTION



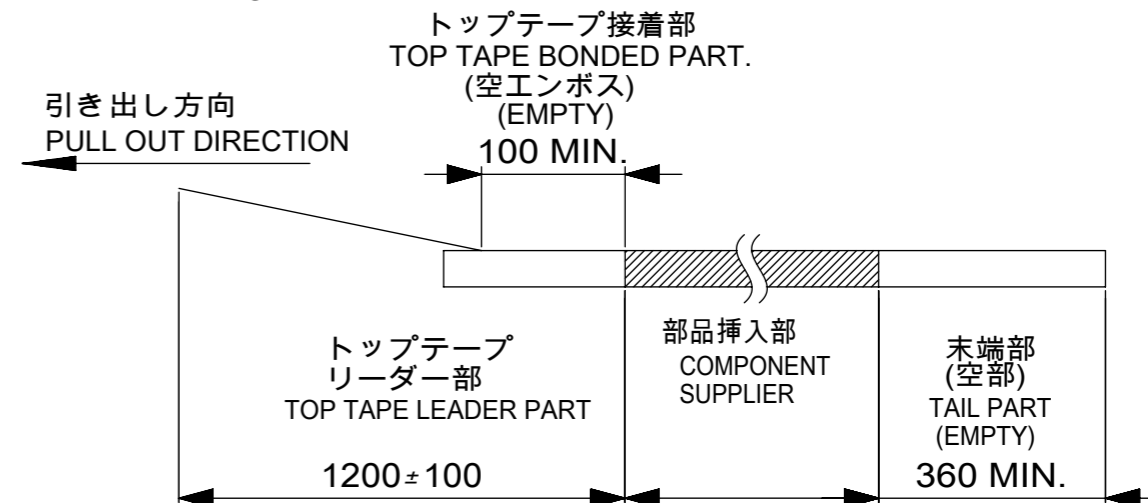
"D"



DETAIL "D"

NOTES

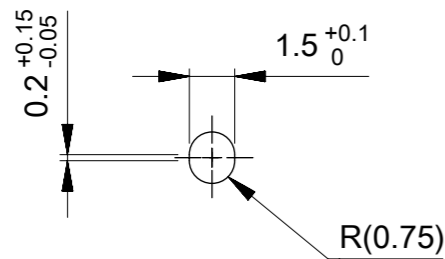
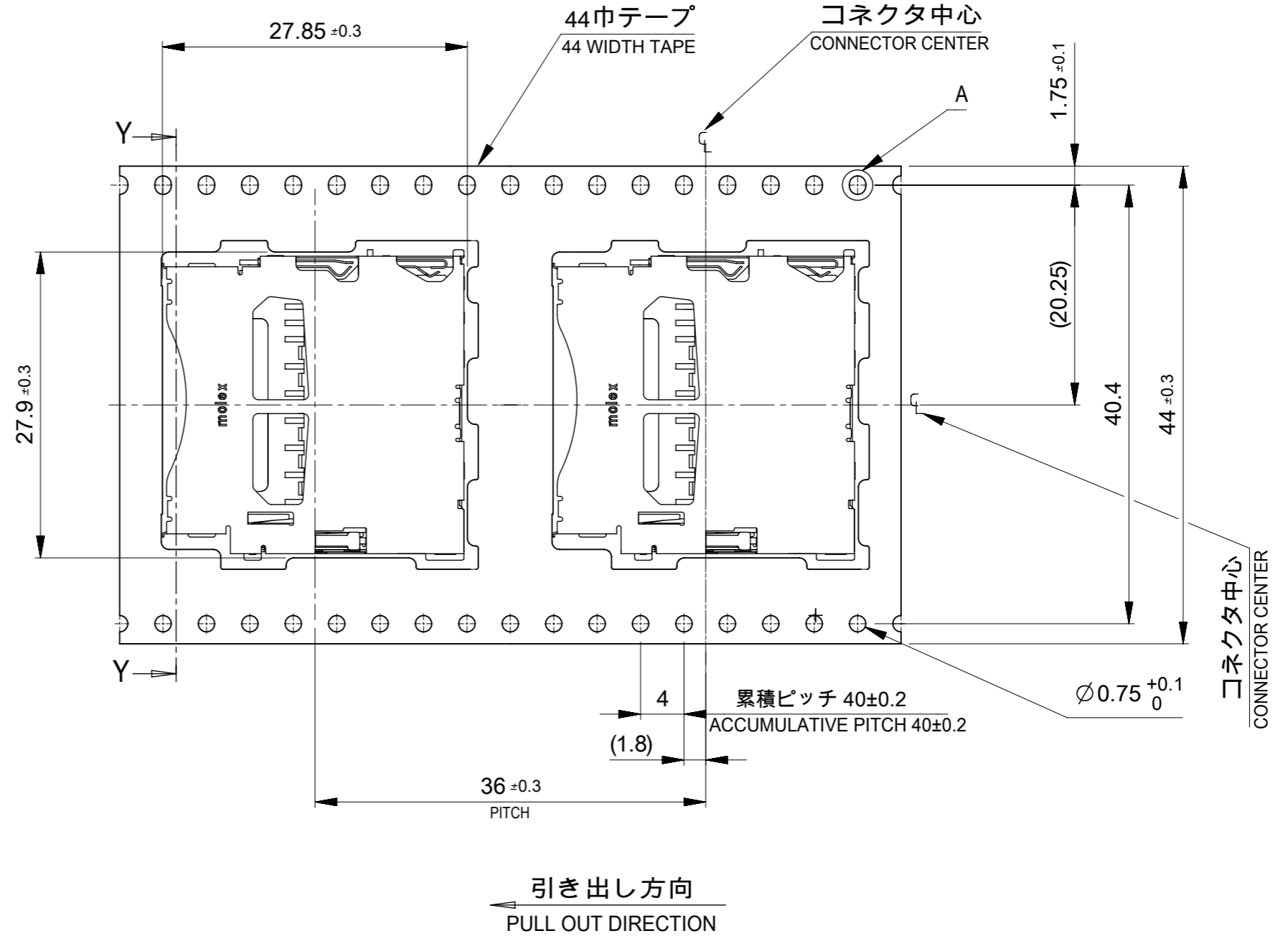
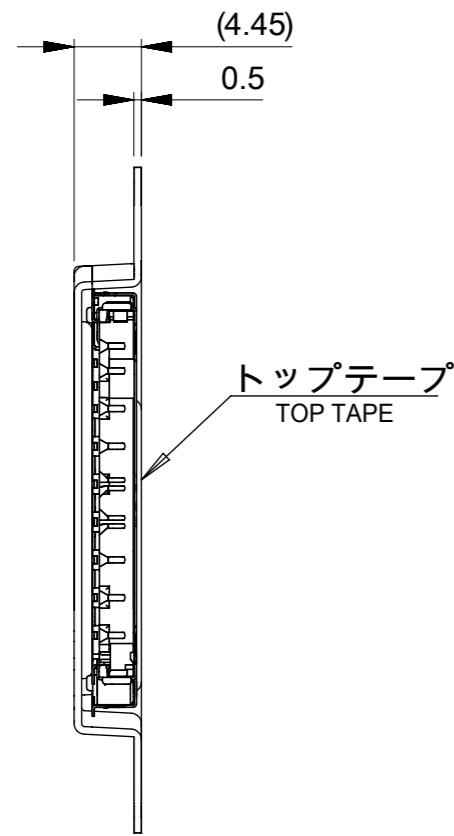
- 製品詳細寸法については、SD 図面を参照下さい。
DETAILED DIMENSION, SEE SALES DRAWING.
- 梱包数量 : 300個 / リール
NUMBER OF CONNECTORS : 300 PCS/REEL.
- リードテープ長さ
LEAD TAPE LENGTH.



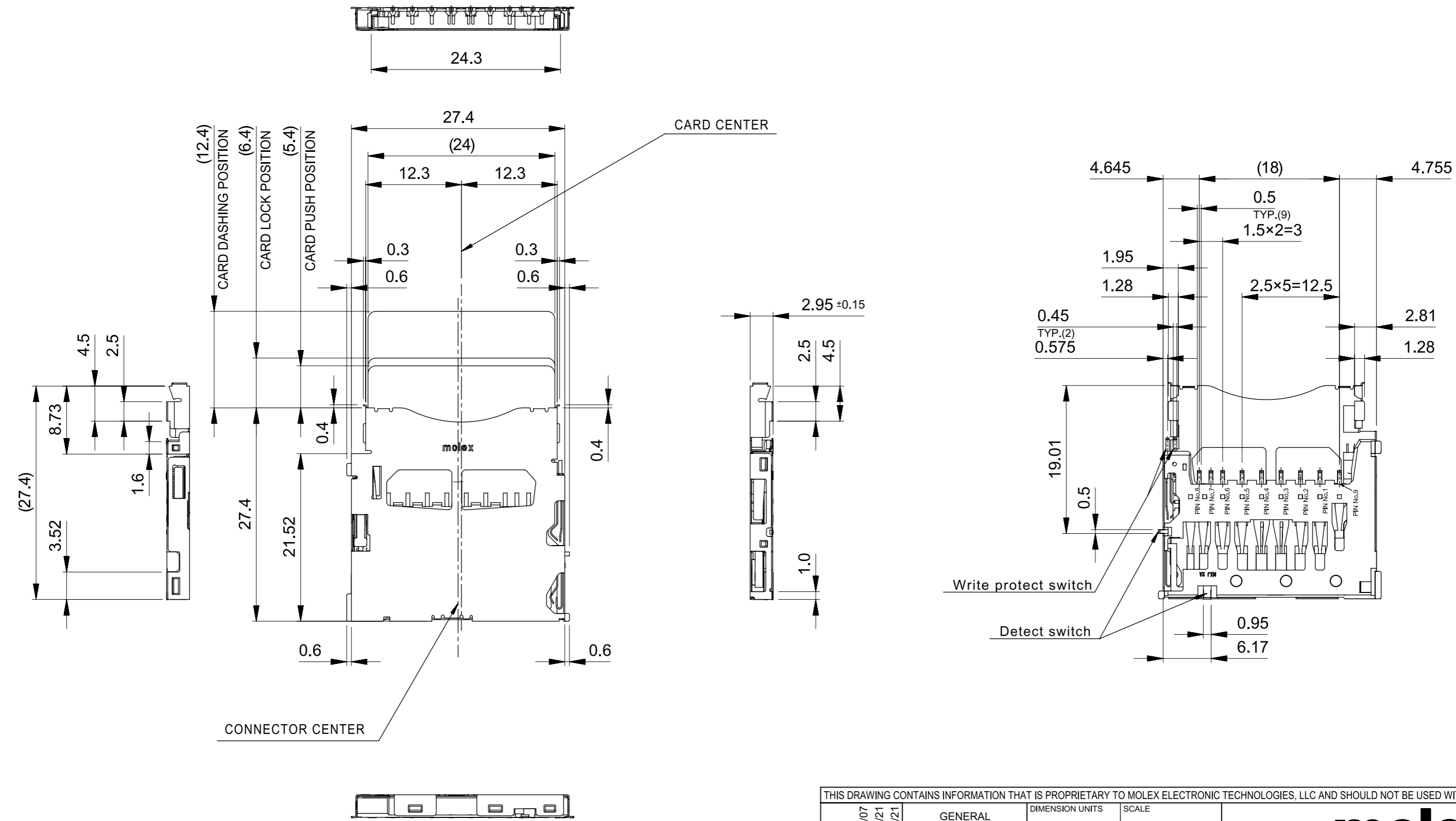
- 材料 MATERIAL
キャリアテープ (CARRIER TAPE) ポリスチレン (POLYSTYRENE)
トップテープ (TOP TAPE): PET, PE, PEF
リール (REEL): ポリスチレン (PS) (リサイクル材含む)
POLYSTYRENE (PS) (RECYCLE MATERIAL CONTAINED)

THIS DRAWING CONTAINS INFORMATION THAT IS PROPRIETARY TO MOLEX ELECTRONIC TECHNOLOGIES, LLC AND SHOULD NOT BE USED WITHOUT WRITTEN PERMISSION										
DIMENSION UNITS	SCALE	CURRENT REV DESC:					molex			
mm	4:1									
GENERAL TOLERANCES (UNLESS SPECIFIED)		EC NO: 623513					SD CARD CONN. PUSH/PUSH NORMAL EMBOSSED TAPE PACKAGE			
ANGULAR TOL	± 1.0 °	DRWN: GB 2019/09/04					PRODUCT CUSTOMER DRAWING			
4 PLACES	± 0.03	CHK'D: GGA 2019/09/05					DOCUMENT NUMBER			
3 PLACES	± 0.03	APPR: GGA 2019/09/05					5035000000			
2 PLACES	± 0.05	INITIAL REVISION:					DOC TYPE DOC PART REVISION			
1 PLACE	± 0.1	DRWN: YHONDA01 2017/08/07					PSD 010 B1			
0 PLACES	± 0.2	APPR: RTAKEUCHI 2017/08/21					MATERIAL NUMBER CUSTOMER SHEET NUMBER			
DRAFT WHERE APPLICABLE MUST REMAIN WITHIN DIMENSIONS		THIRD ANGLE PROJECTION	DRAWING	SERIES	MATERIAL NUMBER	CUSTOMER	SHEET NUMBER			
			A3-SIZE	503500	SEE CHART	GENERAL	1 OF 2			

503500-0993	9
EMBOSSSED TAPE	極数
ORDER No. オーダー番号	CIRCUITS
CONNECTOR SERIES NO. 503500-**13	
DOCUMENT STATUS	P1
RELEASE DATE	2019/09/05 04:39:56

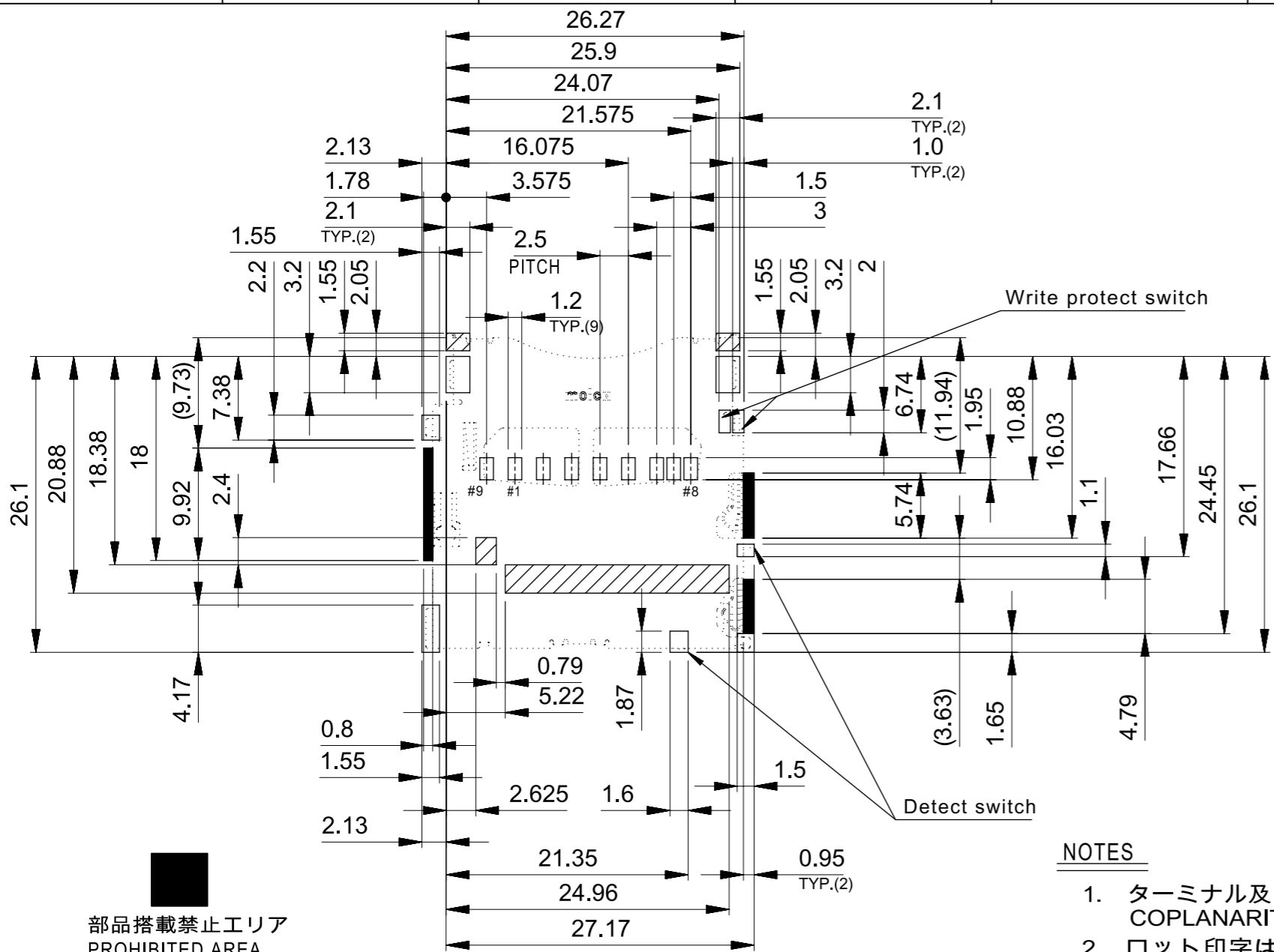


THIS DRAWING CONTAINS INFORMATION THAT IS PROPRIETARY TO MOLEX ELECTRONIC TECHNOLOGIES, LLC AND SHOULD NOT BE USED WITHOUT WRITTEN PERMISSION									
DIMENSION UNITS		SCALE		CURRENT REV DESC:				molex	
mm		4:1							
GENERAL TOLERANCES (UNLESS SPECIFIED)									
ANGULAR TOL		± 1.0 °		EC NO: 623513				SD CARD CONN. PUSH/PUSH NORMAL EMBOSSED TAPE PACKAGE	
4 PLACES		± 0.03		DRWN: GB 2019/09/04				PRODUCT CUSTOMER DRAWING	
3 PLACES		± 0.03		CHK'D: GGA 2019/09/05					
2 PLACES		± 0.05		APPR: GGA 2019/09/05					
1 PLACE		± 0.1		INITIAL REVISION:				DOCUMENT NUMBER	
0 PLACES		± 0.2		DRWN: YHONDA01 2017/08/07				5035000000	
DRAFT WHERE APPLICABLE MUST REMAIN WITHIN DIMENSIONS				THIRD ANGLE PROJECTION		DRAWING		SERIES	
				A3-SIZE		503500		MATERIAL NUMBER	
				SEE CHART		CUSTOMER		REVISION	
				GENERAL				PSD 010 B1	
								SHEET NUMBER	
								2 OF 2	



503500-0993		9
EMBOSSED TAPE		極数
ORDER No. オーダー番号		CIRCUITS
CONNECTOR SERIES NO. 503500-***13		
RELEASE STATUS	P1	RELEASE DATE 21.08.2017 13:33:34

THIS DRAWING CONTAINS INFORMATION THAT IS PROPRIETARY TO MOLEX ELECTRONIC TECHNOLOGIES, LLC AND SHOULD NOT BE USED WITHOUT WRITTEN PERMISSION											
EC NO: 120830 DRWN: YHONDA01 CHK'D: KTANAKA03 APPR: RTAKEUCHI	2017/08/07 2017/08/21 2017/08/21		GENERAL TOLERANCES (UNLESS SPECIFIED)		DIMENSION UNITS		SCALE		 SD CARD CONN. PUSH/PUSH NORMAL ASSY		
			ANGULAR TOL ± 1.0 °		mm		2:1				
	4 PLACES		± 0.2		DRWN BY		DATE				
	3 PLACES		± 0.2		YHONDA01		2017/08/07				
	2 PLACES		± 0.2		CHK'D BY		DATE				
1 PLACE		± 0.2		KTANAKA03		2017/08/21		PRODUCT CUSTOMER DRAWING			
0 PLACES		± 0.2		APPR BY		DATE		SERIES			
				RTAKEUCHI		2017/08/21		503500		MATERIAL NUMBER	
				DRAFT WHERE APPLICABLE MUST REMAIN WITHIN DIMENSIONS		DRAWING SIZE		THIRD ANGLE PROJECTION		SEE CHART IN SHEET 1	
						A3				CUSTOMER	
								GENERAL		DOCUMENT NUMBER	
								5035001000		DOC TYPE	
								PSD		DOC PART	
								010		SHEET NUMBER	
								1 OF 2			



番号 No.	名称 NAME	材料 MATERIAL
①	ハウジング HOUSING	耐熱樹脂 HEAT RESISTANCE POLYMER
②	ターミナル TERMINAL	銅合金、接点部：金めっき 半田付部：錫めっき 下地：ニッケルめっき COPPER ALLOY, CONTACT AREA:GOLD TAIL AREA : TIN UNDER PLATING : NICKEL
③	メタルシェル METAL SHELL	銅合金 COPPER ALLOY
④	カムスライダー CAM SLIDER	耐熱樹脂 HEAT RESISTANCE POLYMER
⑤	ディテクトスイッチ DETECT SWITCH	銅合金、接点部：金めっき 半田付部：金めっき 下地：ニッケルめっき COPPER ALLOY, CONTACT AREA:GOLD TAIL AREA : GOLD UNDER PLATING : NICKEL
⑥	ライトプロテクトスイッチ WRITE PROTECT SWITCH	銅合金、接点部：金めっき 半田付部：錫めっき 下地：ニッケルめっき COPPER ALLOY, CONTACT AREA:GOLD TAIL AREA : TIN UNDER PLATING : NICKEL
⑦	スプリング SPRING	ピアノ線 SWP
⑧	カムピン CAM PIN	ステンレス鋼 STAINLESS STEEL

NOTES

- ターミナル及びネイルの平坦度は0.1MAX.とする。
COPLANARITY OF TERMINAL AND NAIL IS TO BE 0.1MAX.
- ロット印字は任意とする
LOT NUMBERING IS TO BE OPTIONAL.
- 肉抜き位置は任意とする。
CAVITY IS TO BE OPTIONAL.
- 本製品の側面にはカード挿抜時に一部金属が突出する箇所があります。該当箇所は部品搭載禁止エリアとなりますので、ご注意ください。
There are the places that the part of metal stands out at the side of the connector when the card insertion .The area is prohibited to place the other parts.
- ELV及びRoHS適合品
ELV AND RoHS COMPLIANT.

Lot No. : 7 09 01 A

西暦 (1桁目) 月 ラインNo.
THE YEAR OF GRACE MONTH LINE No.
7 : 2017年 08 : 9月 日 DAY
10 : 10月 07 : 07日

部品搭載禁止エリア
PROHIBITED AREA

パターン禁止エリア
PATTERN PROHIBITION AREA
注：コネクタ投影面上の半田付けは禁止

RECOMMENDED PCB PATTERN LAYOUT
(GENERAL TOLERANCE : ±0.05)

6. 各スイッチのオープン/クローズ
OPENING/CLOSE OF EACH SWITCH

	プロテクトターミナル PROTECT TERMINAL		ディテクトターミナル DETECT TERMINAL
	カード書き込み 禁止状態 WRITE PROTECT POSITION	カード書き込み 可能状態 WRITE ENABLE POSITION	
カード未装着状態 CARD UNINSERTION	オープン OPEN	オープン OPEN	オープン OPEN
カード装着 AFTER CARD INSERTION	オープン OPEN	クローズ CLOSE	クローズ CLOSE

THIS DRAWING CONTAINS INFORMATION THAT IS PROPRIETARY TO MOLEX ELECTRONIC TECHNOLOGIES, LLC AND SHOULD NOT BE USED WITHOUT WRITTEN PERMISSION

EC NO: 120830 DRWN: YHONDA01 CHK'D: KTANAKA03 APPR: RTAKEUCHI	2017/08/07	2017/08/21	2017/08/21	GENERAL TOLERANCES (UNLESS SPECIFIED)	DIMENSION UNITS	SCALE	
				ANGULAR TOL ± 1.0 °	mm	2:1	
	4 PLACES	± 0.2	YHONDA01	DATE		2017/08/07	
	3 PLACES	± 0.2	KTANAKA03	DATE		2017/08/21	
	2 PLACES	± 0.2	APPR BY	DATE	RTAKEUCHI	2017/08/21	PRODUCT CUSTOMER DRAWING SERIES: 503500 MATERIAL NUMBER: SEE CHART IN SHEET1 CUSTOMER: GENERAL
	1 PLACE	± 0.2	DRAWING SIZE	THIRD ANGLE PROJECTION	A3		
	0 PLACES	± 0.2	DRAFT WHERE APPLICABLE MUST REMAIN WITHIN DIMENSIONS				
							DOCUMENT NUMBER: 5035001000 DOC TYPE: PSD DOC PART: 010 SHEET NUMBER: 2 OF 2