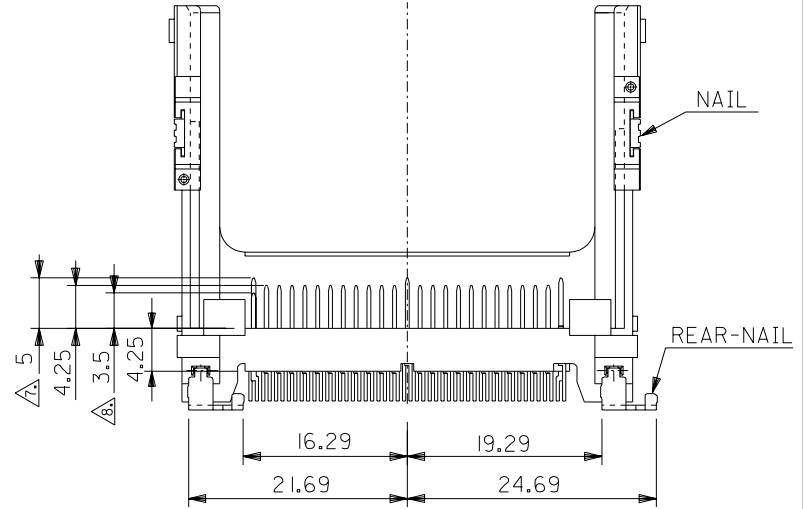
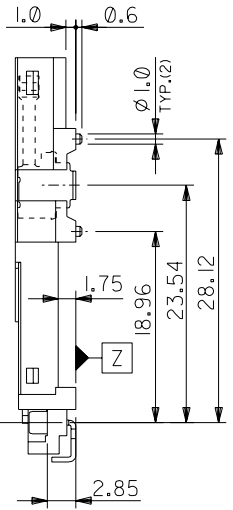
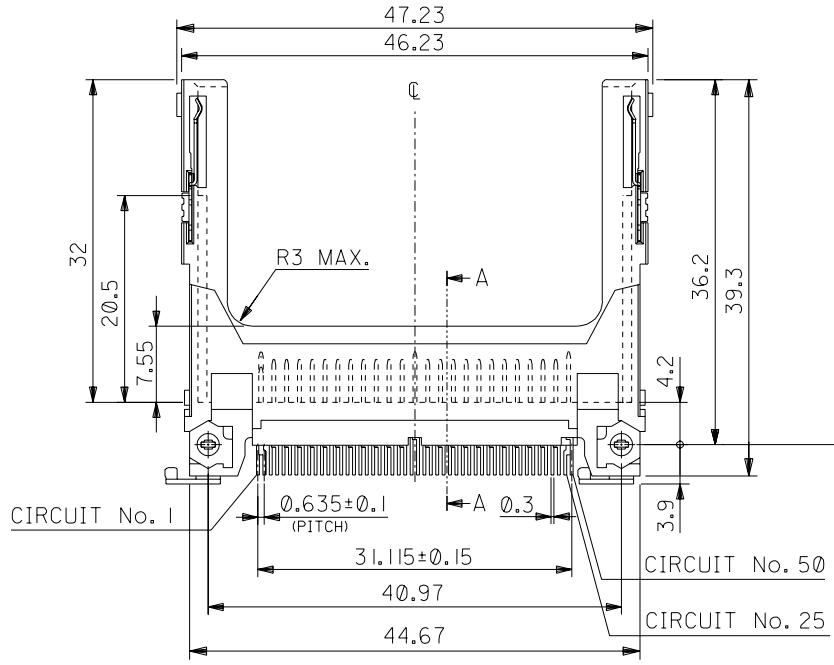
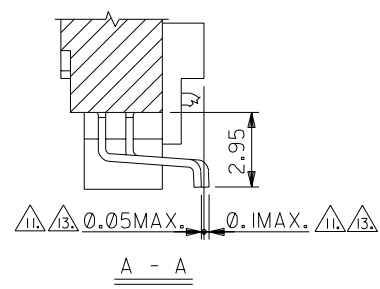
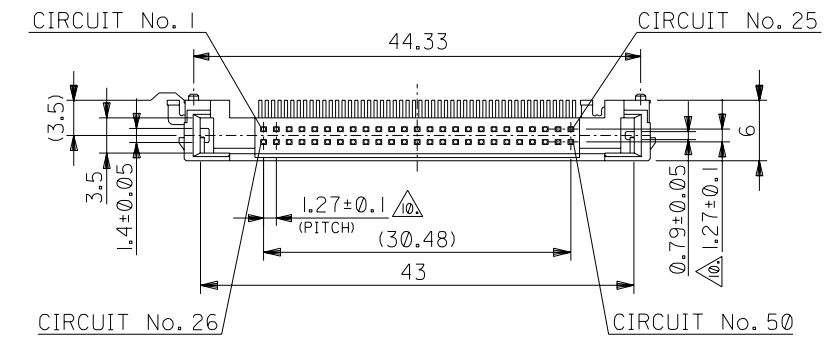


DWG. NO. SD-55359-015



SEMI-HARD TRAY PACKAGE	55359-5027
SOFT TRAY PACKAGE	55359-5029
PACKING TRAY FORM	MATERIAL NO.

DO NOT SCALE DRAWING

EC NO. DRWN: CHK: APPR:	EC NO. DRWN: CHK: APPR:	EC NO. DRWN: CHK: APPR:	EC NO. DRWN: CHK: APPR:	EC NO. DRWN: CHK: APPR:	RELEASED '04/03/22 EC NO. J2004-3249 DRWN: Y.SAKIYAMA CHK: M.SASAO APPR: M.SASAO
DESCRIPTION	MATERIAL 材料 SHEET 2 OF 2 参照 REFER TO SHEET 2 OF 2 FINISH 仕上り SHEET 2 OF 2 参照 REFER TO SHEET 2 OF 2 WIRE RANGE 適用線被範圍 INS. RANGE 被覆外径				

GENERAL TOLERANCES: (UNLESS SPECIFIED) 一般公差	SCALE	DESIGN UNITS	THIRD ANGLE PROJECTION	DIMENSIONS:	SHT	REV
10 UNDER 未滿	1:1	mm <input checked="" type="checkbox"/> INCH <input type="checkbox"/>	<input checked="" type="checkbox"/>	mm <input type="checkbox"/> INCH <input type="checkbox"/> mm ONLY <input checked="" type="checkbox"/>		REVISE ON CAD ONLY
10 OVER 30 UNDER 未滿						
30 OVER 以上						
ANGLE 角度						

DRAWN BY & DATE Y. Sakiyama '04/03/22	TITLE:
CHECKED BY & DATE H. Sasaki '04/03/22	CF CARD CONN. 50P HEADER ASS'Y (TYPE I/II, REVERSE) -LEAD FREE-
APPROVED BY & DATE M. Sasaki '04/03/22	MOLEX INCORPORATED
CAD FILENAME SD-55359-015.S01	MATERIAL NO. SEE CHART
	DRAWING NO. SD-55359-015
	SHEET NO. 1 OF 2

THIS DRAWING CONTAINS INFORMATION THAT IS PROPRIETARY TO MOLEX INCORPORATED AND SHOULD NOT BE USED WITHOUT WRITTEN PERMISSION.

DWG. NO. SD-55359-016

F

E

D

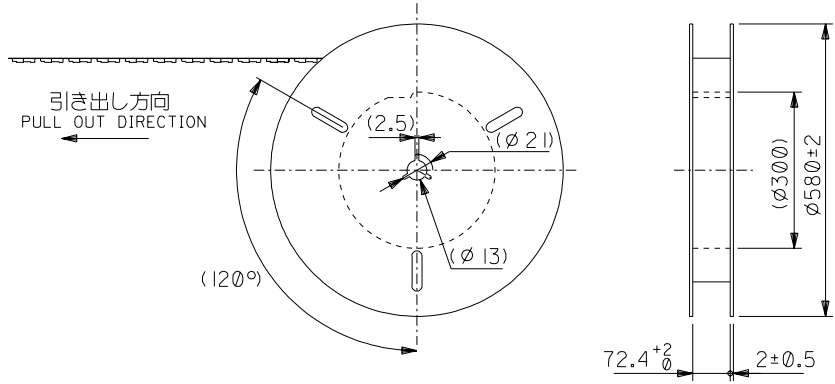
C

B

A

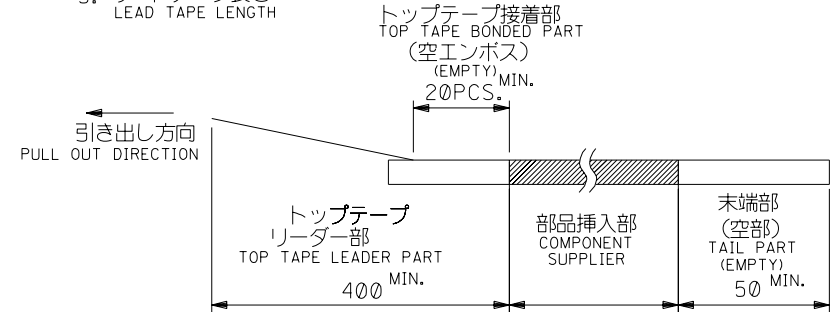
DO NOT SCALE DRAWING

8 7 6 5 4 3 2 1



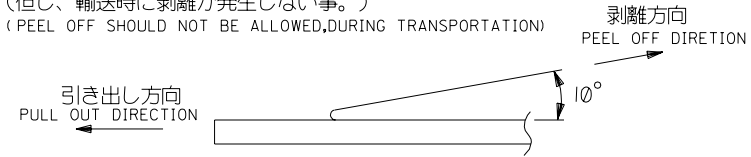
注)
NOTES

- 製品番号 55359-5029の詳細寸法については、SD-55359-015 を参照下さい。
IN THE PACKAGE, PART NO. 55359-5029 DETAILED DIMENSIONS, SEE SD-55359-015.
- 梱包数量 : 300 個/リール
NUMBER OF CONNECTORS : 300 PCS/REEL
- リードテープ長さ
LEAD TAPE LENGTH



- トップテープの剥離強度 : (剥離方向は下図参照)
PEELING OFF FORCE OF TOP TAPE (PEELING DIRECTION AS SHOWN IN FOLLOWING FIG.)
0.1~1.3N {10~130gf} : キャリアテープ幅 72mm
CARRIER TAPE WIDTH 72mm

尚、本規格値は、出荷時に適用。
THIS REQUIREMENT SHOULD BE APPLIED AT SHIPMENT
(但し、輸送時に剥離が発生しない事。)
(PEEL OFF SHOULD NOT BE ALLOWED, DURING TRANSPORTATION)



- 材料
MATERIAL
キャリアテープ : ポリプロピレン (PP)
CARRIER TAPE : POLYPROPYLENE (PP)
トップテープ : PET, PE, PEF
TOP TAPE : PET, PE, PEF
リール : 紙
REEL : CARD BOARD

- 本製品は55359-5028の鉛フリー品である。
THIS PRODUCT IS LEAD FREE OF 55359-5028.

55359-5078
MATERIAL NO.

EC NO. DRAWN: CHK: APPR:		EC NO. DRAWN: CHK: APPR:		EC NO. DRAWN: CHK: APPR:		EC NO. DRAWN: CHK: APPR:		EC NO. DRAWN: CHK: APPR:		EC NO. J2004-3249 DRWN: Y.SAKIYAMA CHK: M.SASAO APPR: M.SASAO RELEASED '04/03/22		MATERIAL 材料 注記参照 SEE NOTES		GENERAL TOLERANCES: (UNLESS SPECIFIED) 一般公差		55359-5078 SCALE: ——— DESIGN UNITS: <input checked="" type="checkbox"/> mm <input type="checkbox"/> INCH		MODEL NO. <input checked="" type="checkbox"/> THIRD ANGLE PROJECTION		DIMENSIONS: <input type="checkbox"/> mm <input type="checkbox"/> INCH <input checked="" type="checkbox"/> mm ONLY		SHT. REV. REVISION ON CAD ONLY					
												FINISH 仕上げ #		10 UNDER 未満 ±0.2 Y. Sakiyama '04/03/22		TITLE: EMBSTP PKG FOR CF CARD CONN. 50P HEADER ASSY -LEAD FREE-		MOLEX MOLEX INCORPORATED		CAD FILENAME: SD-55359-016.S01		MATERIAL NO. SEE CHART		DRAWING NO. SD-55359-016		SHEET NO. 1 OF 2	
												WIRE RANGE 適用電線範囲 #		10 OVER 30 UNDER 未満 ±0.25 H. Saito '04/03/22		APPROVED BY & DATE H. Saito '04/03/22		MOLEX MOLEX INCORPORATED		CAD FILENAME: SD-55359-016.S01		MATERIAL NO. SEE CHART		DRAWING NO. SD-55359-016		SHEET NO. 1 OF 2	
												INS. RANGE 被覆外径 #		30 OVER 以上 ±0.3 H. Saito '04/03/22		ANGLE 角度 ±3°		MOLEX MOLEX INCORPORATED		CAD FILENAME: SD-55359-016.S01		MATERIAL NO. SEE CHART		DRAWING NO. SD-55359-016		SHEET NO. 1 OF 2	
																		THIS DRAWING CONTAINS INFORMATION THAT IS PROPRIETARY TO MOLEX INCORPORATED AND SHOULD NOT BE USED WITHOUT WRITTEN PERMISSION.		SIZE B		EN-02J(097) MXJ-54					

8 7 6 5 4 3 2 1

F

E

D

C

B

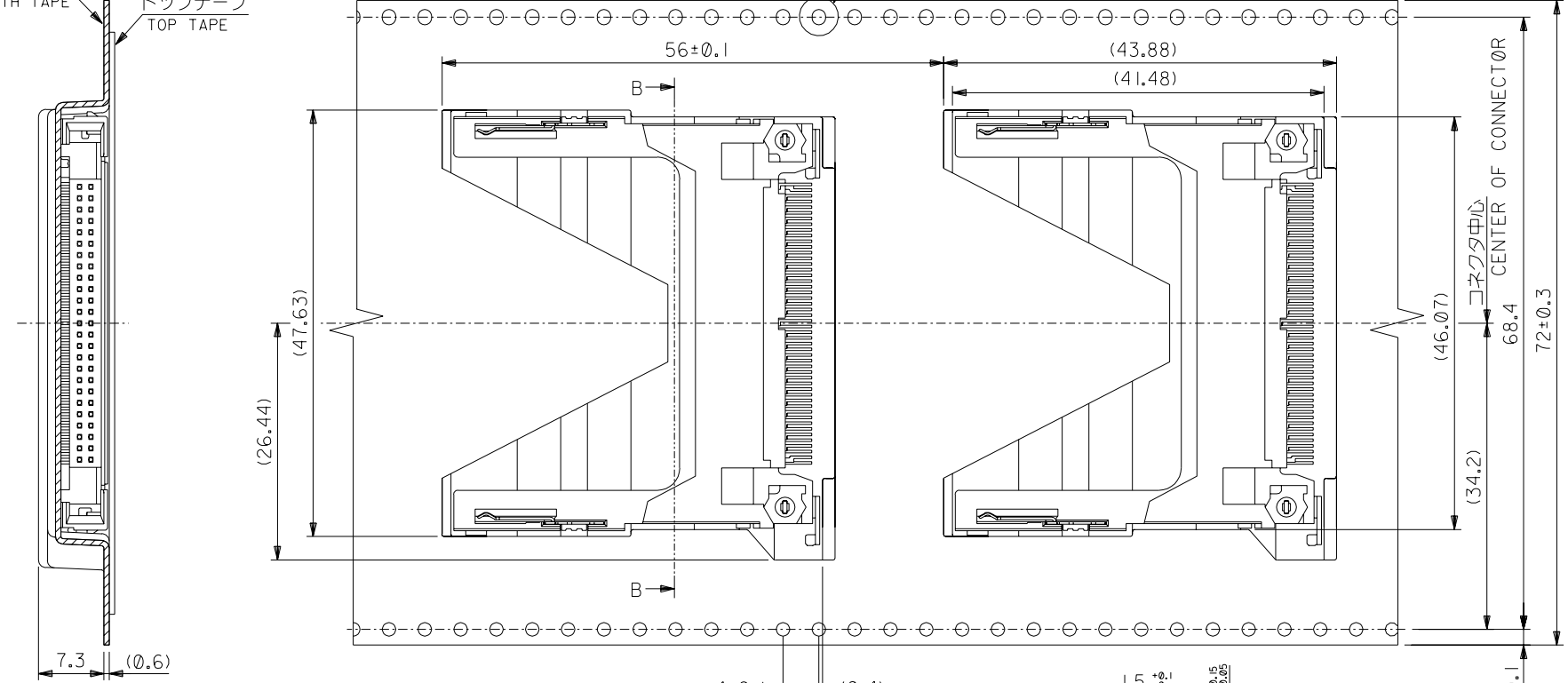
A

SD-55359-016.S01

DWG. NO. SD-55359-016

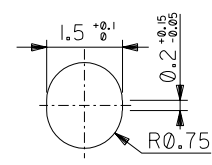
72巾テープ
72 WIDTH TAPE
トップテープ
TOP TAPE

引き出し方向
PULL OUT DIRECTION



断面 B-B
SECTION B-B

累積ピッチ: 40±0.2
ACCUMULATIVE PITCH: 40±0.2



A部詳細
DETAIL A

DO NOT SCALE DRAWING

EC NO.	DRWN:	CH'K:	APPR:	EC NO.	DRWN:	CH'K:	APPR:	EC NO.	DRWN:	CH'K:	APPR:	EC NO.	DRWN:	CH'K:	APPR:	EC NO.	DRWN:	CH'K:	APPR:	
RELEASED '04/03/22 EC NO. J2004-3249 DRWN: Y.SAKIYAMA CH'K: M.SASAO APPR: M.SASAO																				
MATERIAL		SHEET 1 OF 2 参照		GENERAL TOLERANCES:		55359-***78		MODEL NO.		DIMENSIONS:		SHT		REV						
材料		REFER TO SHEET 1 OF 2		(UNLESS SPECIFIED)		SCALE		DESIGN UNITS		THIRD ANGLE PROJECTION		mm ONLY		REVISION ON CAD ONLY						
FINISH		//		10 UNDER 未滿 ±0.2		DRAWN BY & DATE		Y. Sakiyama '04/03/22		mm INCH		mm ONLY		mm ONLY						
WIRE RANGE		//		10 OVER 30 UNDER 未滿 ±0.25		CHECKED BY & DATE		H. Saito '04/03/22		INCH		mm ONLY		mm ONLY						
適用電線範囲		//		30 OVER 以上 ±0.3		APPROVED BY & DATE		H. Saito '04/03/22		mm ONLY		mm ONLY		mm ONLY						
INS. RANGE		//		ANGLE 角度 ±3°		CAD FILENAME		SD-55359-016.S02		MATERIAL NO.		DRAWING NO.		SHEET NO.						
被覆外径		//								SEE CHART		SD-55359-016		2 OF 2						

TITLE:		EMBSTP PKG FOR CF CARD CONN. 50P HEADER ASSY -LEAD FREE-	
MOLEX MOLEX INCORPORATED			

THIS DRAWING CONTAINS INFORMATION THAT IS PROPRIETARY TO MOLEX INCORPORATED AND SHOULD NOT BE USED WITHOUT WRITTEN PERMISSION.			
SIZE B		EN-02J(097) MXJ-54	

A