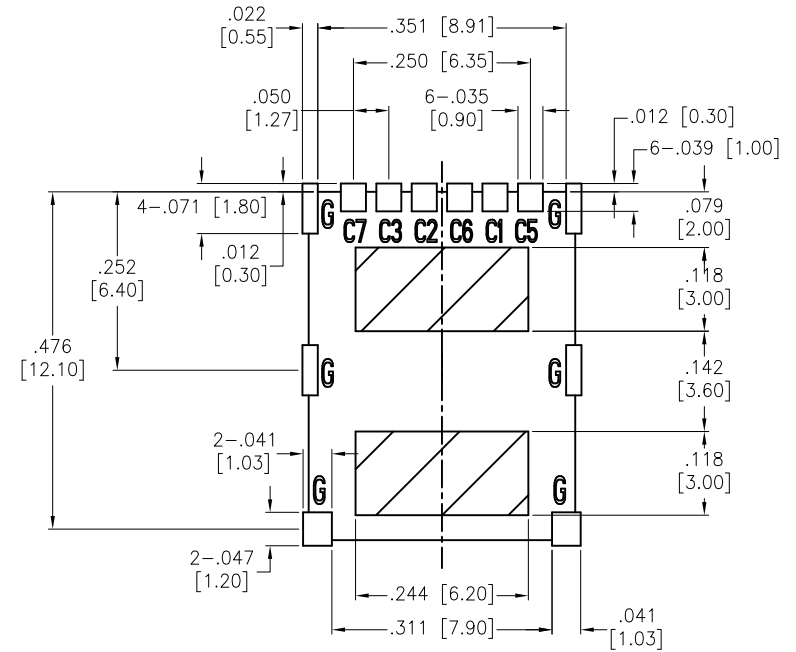
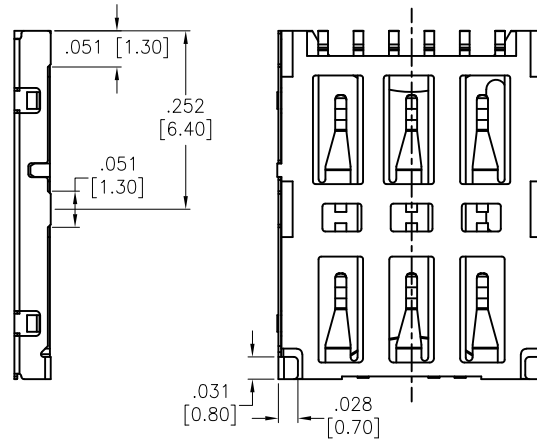
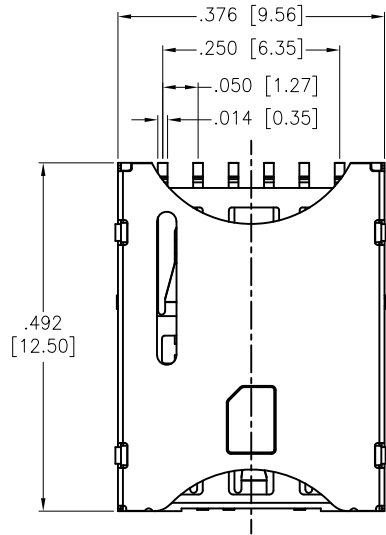
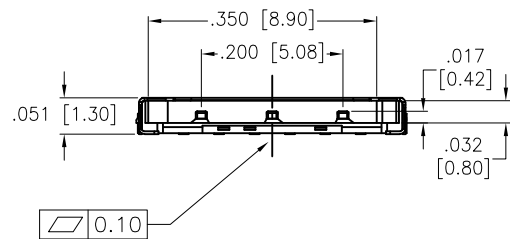


APPROVED: _____
 DATE: _____ TITLE: _____

Rev	AWO #	Description	Date	Appr
-		RELEASED	3/8/17	
A		UPDATED DRAWING	10/17/18	HR/DH
B		UPDATED DIM.	3/13/20	AY/OC



RECOMMENDED PCB LAYOUT



PIN NUMBER	PIN ASSIGNMENT
C1	Vcc
C2	RST
C3	CLK
C5	GND
C6	Vpp
C7	I/O

PACKAGED ON TAPE & REEL

SPECIFICATIONS:

Material:
 Insulation: Hi-Temp Thermoplastic, UL94V-0
 Insulation color: Black
 Contact: Phosphor Bronze
 Shell: Stainless Steel, Nickel plated, Gold plated on solder area
 Plating:
 10u" Gold over Nickel underplate on contact area,
 Gold flash over Nickel underplate on solder tails
 Environmental:
 Lead free, RoHS compliant



UNLESS OTHERWISE SPECIFIED ALL DIMENSIONS ARE INCHES [MM] TOLERANCES: EXCEPT AS NOTED INCHES HOLES .X ± .10 Ø.X ± .10 .XX ± .020 Ø.XX ± .015 .XXX ± .015 Ø.XXX ± .010		ADAM TECH INTERCONNECTS 909 Rahway Avenue, Union, NJ 07083 Phone: 908-687-5000 Fax: 908-687-5710	
APPROVALS DRAWN AY 3/8/17 CHECKED CH 3/8/17 APPROVED		DATE DATE DATE	
TITLE NANO SIM CARD CONNECTOR, PUSH PULL 6 PIN, GOLD PLATED, SMT TYPE		SIZE X	PART NO. NSSC-A2-06-G-SMT-T/R
REF: S00275T		SCALE: NTS	SHEET 1 OF 1