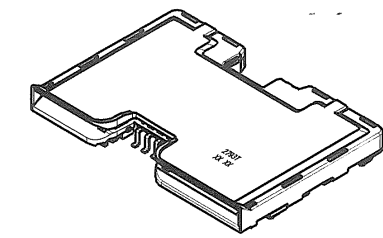
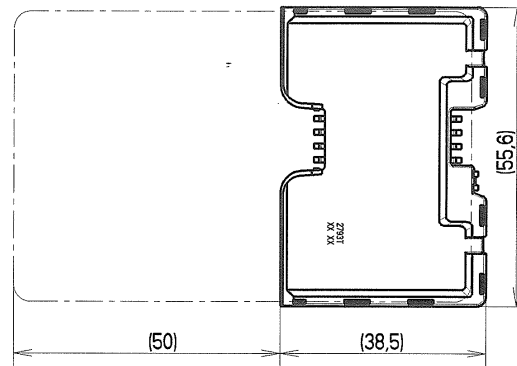
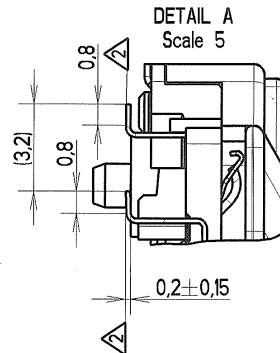
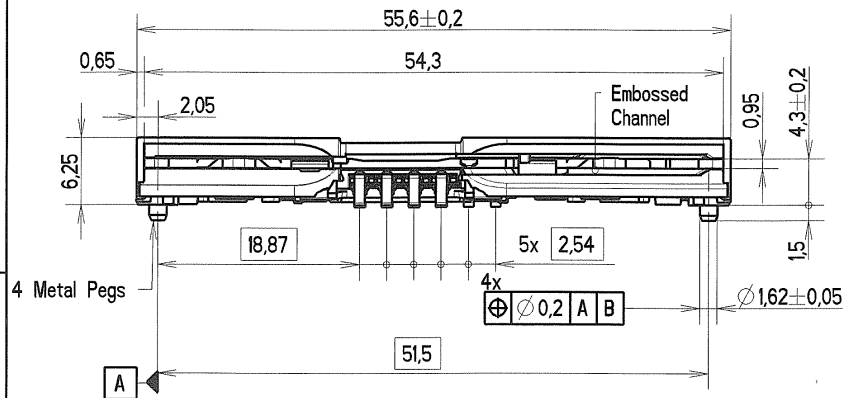
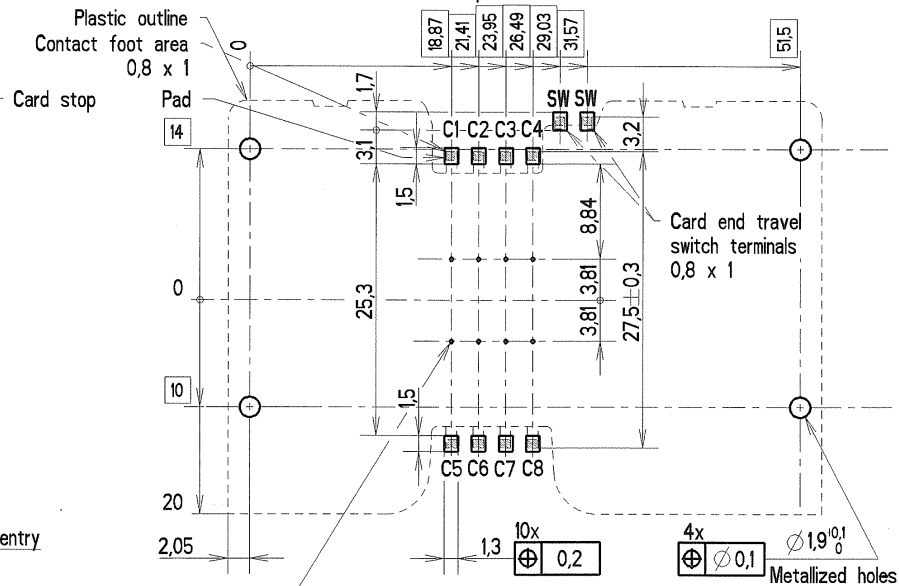
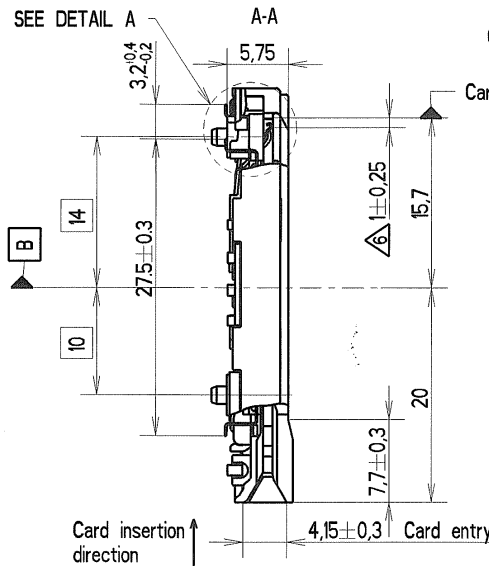
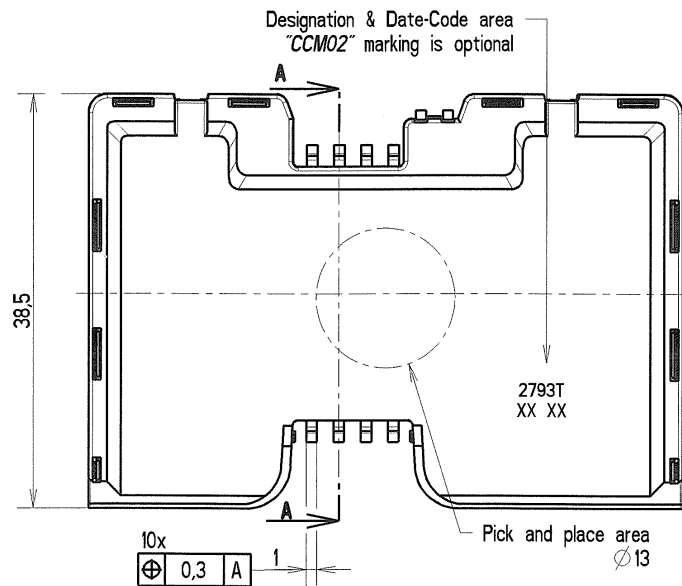


SYSTEM CONFIDENTIAL

REV.	N° DCR	NATURE DE LA MODIFICATION	DATE	VISA
B	ECR-1410	Marking deleted	14/12/2007	V.P



RECOMMENDED PC BOARD LAYOUT (Component side)



- Notes :
- 1 - Termination to PCB : SMT reflow soldering Temperature/time profile according to : C&K PS-LF-001 specification.
Since there are no boardlocks, the connector must be held in place on the PCB across the top face of the cover.
 - 2 - Level of each contact tail compared to the nearest plastic stand-off.
Coplanarity of metal soldering surfaces : 0,15 mm.
 - 3 - Recommendation for solder paste thickness > 0,2 mm.
 - 4 - 2,5 microns min tin plating on contact terminal areas and 0,1 microns min gold plating on switch terminal areas.
 - 5 - Contacts forces :
 - max 0,5 N per contact with max. card thickness.
 - min 0,2 N per contact with min. card thickness.

- 6 - Card end travel switch NO activatés when the sliding card is 1 mm from the card stop.
- 7 - For packaging on tray, see document : cu 030278Y0041.
- 8 - In case of customer accessories integration requesting an interface with CCM, please ask C&K for a 3D model.

Contact location according to ISO/IEC 7816-2

MATIERE	TRAITEMENT	PROTECTION
SAUF INDIQUE : -COTES DONNEES AVANT PROTECTION -BAVURES ET ARETES VIVES SUPPRIMEES	TOL. LINEAIRE ± 0,1 TOL. ANGULAIRE ± 2 ETAT DE SURFACE Ra	DIMENSIONS CRITIQUES DIMENSIONS SPC
DESSINE P.DAUBIGNY DATE 03-07-06	ANALYSE Y TAB. FAM. Y PROVE Y	LANGAGE E
VERIFIE G.PINON DATE 25/03/2008	REPLACE	
APPROUVE L.KUBAT DATE 25/03/2008	DESIGNATION	
 C&K Components	PROJECTION 1ER DIEDRE	CCM02-2793 LFT
	ECHELLE 2	2x4 contacts SMT + switch NO 4 metal pegs
BP 359 - 39105 Dole - FRANCE	TAILLE FEUILLE A3 1 / 1	NUMERO REV CU 030288Y2793 B

CE PLAN EST LA PROPRIETE DE C&K - COMPONENTS SAS ET NE PEUT ETRE REPRODUIT OU COMMUNIQUE SANS SON AUTORISATION