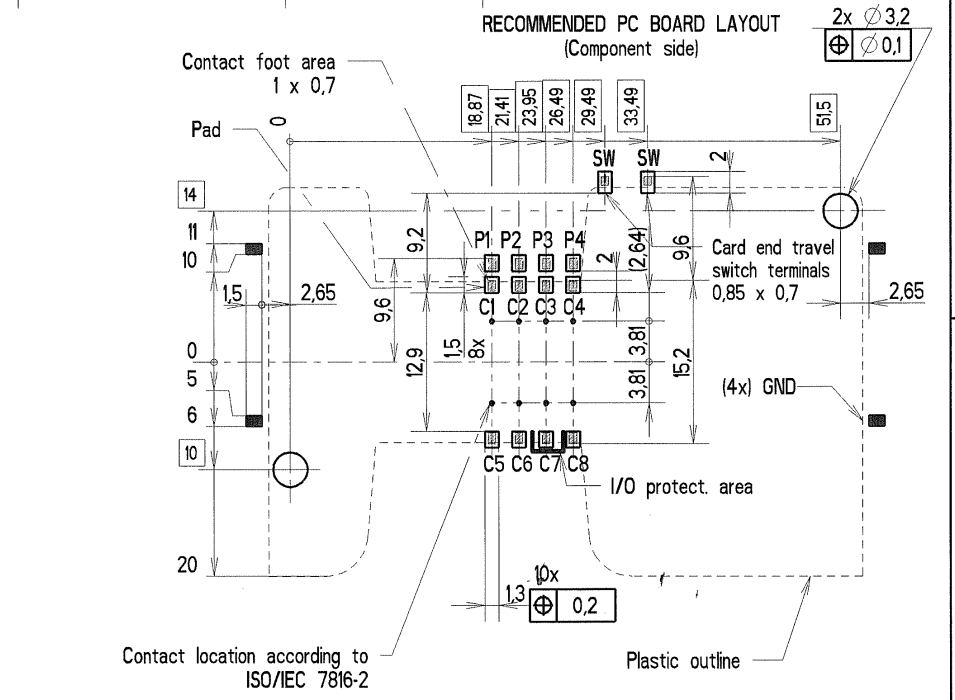
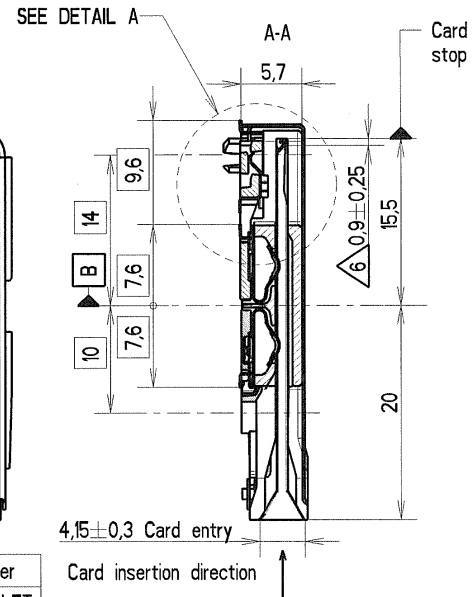
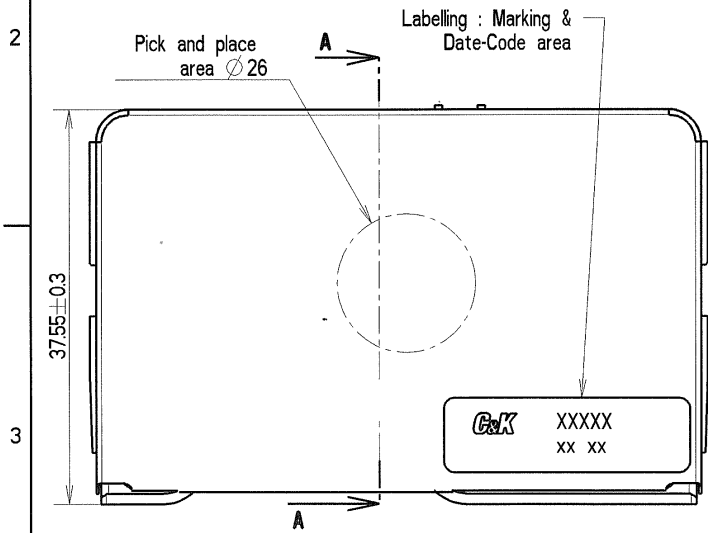
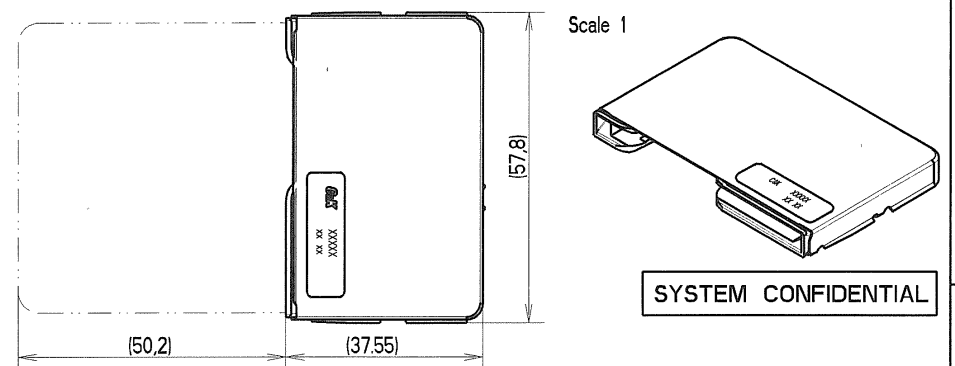
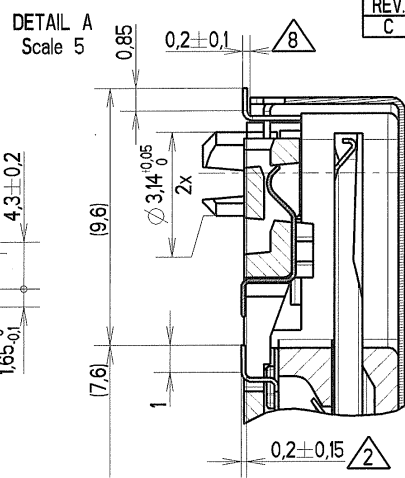
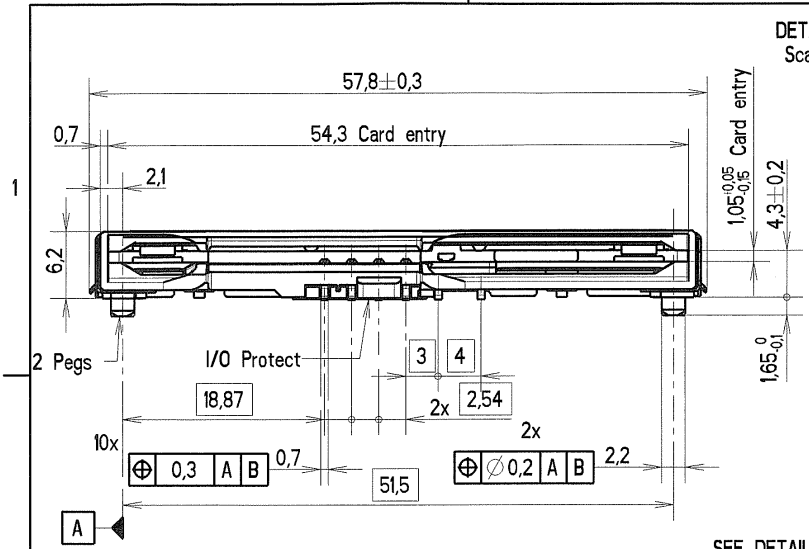


|      |          |                           |            |      |
|------|----------|---------------------------|------------|------|
| REV. | N° DCR   | NATURE DE LA MODIFICATION | DATE       | VISA |
| C    | ECR-1484 | References table added    | 25/10/2007 | V.P  |



| Packaging | Packaging drawing | Marking | Designation        | Part Number     |
|-----------|-------------------|---------|--------------------|-----------------|
| Tray      | CU030278Y0060     | 2038A   | CCM01-2038LFT T30/ | Y1112-2038A LFT |
| Reel      | CU030278Y0061     | 2038B   | CCM01-2038LFT R181 | Y1112-2038B LFT |

CE PLAN EST LA PROPRIETE DE C&K COMPONENTS SAS ET NE PEUT ETRE REPRODUIT OU COMMUNIQUE SANS SON AUTORISATION

- Notes :
- 1 - Termination to PCB : SMT reflow soldering Temperature/time profile according to : C&K PS-LF-001 specification.
  - 2 - Since there are no boardlocks , the connector must be held in place on the PCB across the top face of the cover.
  - 3 - Coplanarity of metal soldering surfaces : 0,15 mm
  - 4 - Recommendation for solder paste thickness > 0,2 mm
  - 5 - Contact forces :
    - max 0,5 N per contact with max. card thickness.
    - min 0,2 N per contact with min. card thickness.

- 6 - Card end travel switch NO activates when the sliding card is 0,9 mm from the card stop.
- 7 - Electrical diagram :
  - Cover terminals P1 P2 P3 P4
  - I/O protect C1 C2 C3 C4 C5 C6 C7 C8
  - P1 - P3 = track 1 P2 - P4 = track 2
- 8 - Vertical distance between contacts and cover.
- 9 - In case of customer accessories integration requesting an interface with the CCM, please ask C&K for a 3D model

| MATIERE                        | TOL. LINEAIRE                   | ± 0,1                 | TOL. ANGULAIRE   | ± 2     | PROTECTION  | DIMENSIONS CRITIQUES |           |
|--------------------------------|---------------------------------|-----------------------|--|---------|-------------|----------------------|-----------|
| SAUF INDIQUE :                 | -COTES DONNEES AVANT PROTECTION |                       | ETAT DE SURFACE  | Re      |             | DIMENSIONS SPC       |           |
| DESSINE                        | PAILLE V.                       | DATE 08/01/2007       | ANALYSE  | Y       | TAB. FAM. Y | PRO/E Y              | LANGAGE A |
| VERIFIE                        | DUPRAT D.                       | DATE 25/10/07         | REPLACE  |         |             |                      |           |
| APPROUVE                       | KUBAT L.                        | DATE 26/10/07         | DESIGNATION  |         |             |                      |           |
| G&K Components                 |                                 | PROJECTION 1ER DIEDRE | CCM01-2038 LFT<br>SMT + 2 pegs<br>+ protection level one |         |             |                      |           |
| BP 359 - 39105 Dole - FRANCE - |                                 | ECHELLE 2             | TAILLE   | FEUILLE | NUMERO      | REV                  |           |
|                                |                                 | A3                    | 1 / 1  | CU      | 030288Y2038 | C                    |           |

A B C D E F