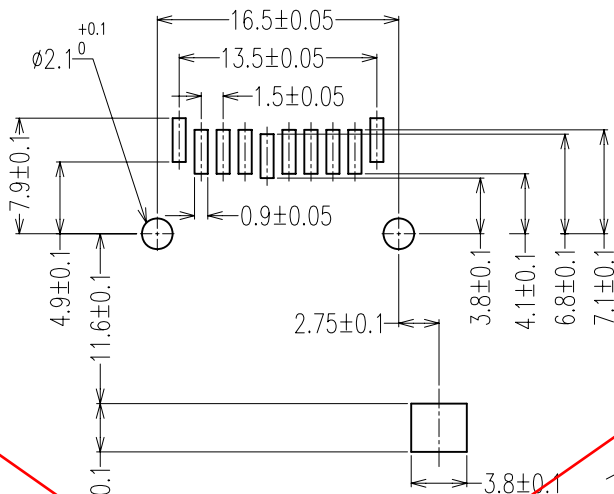


**OBSOLETE**



RECOMMENDED PCB LAYOUT (TOP VIEW)  
TOLERANCES: ±0.05 mm

**SPECIFICATIONS:**

MATERIAL:-

INSULATOR: LCP, UL94V-0

CONTACT: PHOSPHOR BRONZE

FINISH:-

CONTACT: GOLD OVER NICKEL UNDERPLATE

SOLDER TAIL: TIN OVER NICKEL UNDERPLATE

ELECTRICAL:-

CURRENT RATING: 1 AMP MAX.

CONTACT RESISTANCE: 100 mΩ MAX.

INSULATION RESISTANCE: 1000 MΩ MIN.

MECHANICAL:-

DURABILITY: 5000 CYCLES MIN.

ENVIRONMENTAL:-

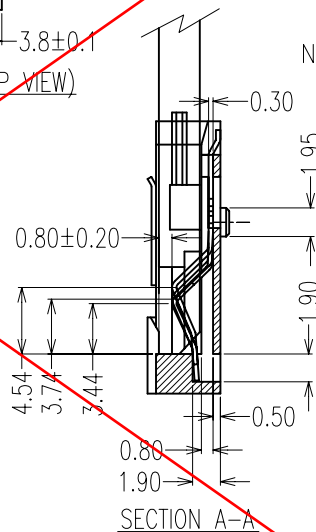
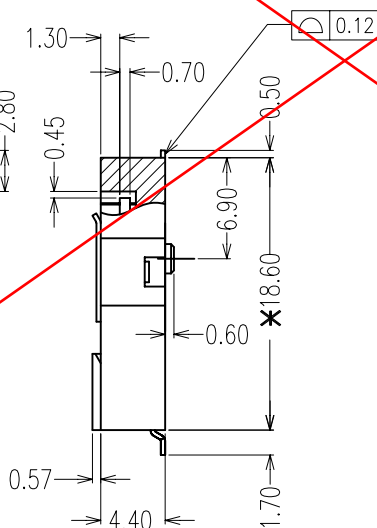
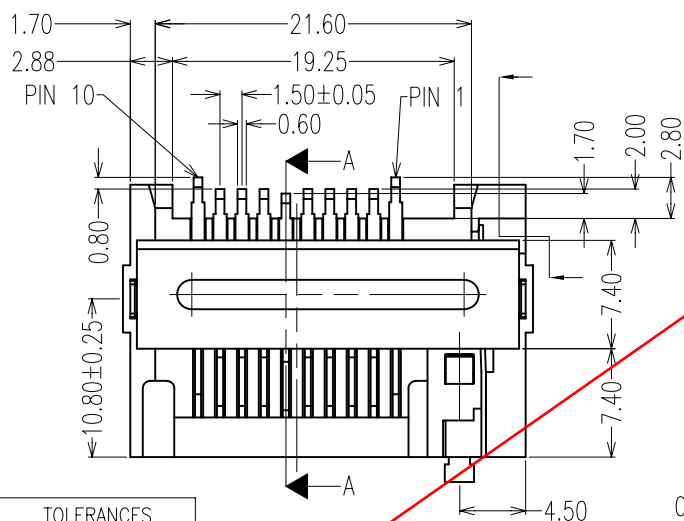
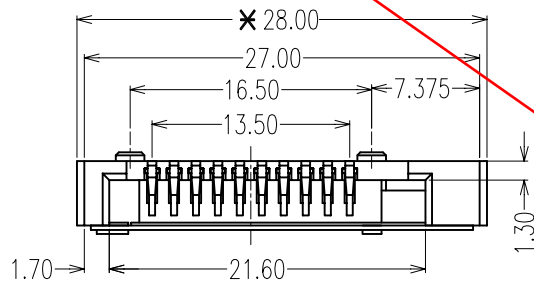
TEMPERATURE RANGE: -40°C TO + 85°C

NOTES: ALL DIMENSIONS AND NOTES

MARKED \* ARE CRITICAL AND

MUST BE CHECKED IN ACCORDANCE

WITH QUALITY DOC. Q1-02A



TOLERANCES  
X. = ±0.5mm  
X.X = ±0.30mm  
X.XX = ±0.20mm

Allan	1	01.08.06	-
NAME	ISS.	DATE	C/NOTE
APPROVED: <i>Alan</i>			
CHECKED:			
DRAWN: Allan			
CUSTOMER REF.:			
ASSEMBLY DRG:			

**HARWIN**

HARWIN USA  
TEL: 603 893 5376  
FAX: 603 893 5396  
mis@harwin.com

HARWIN Europe (UK)  
TEL: 023 9231 4545  
FAX: 023 9231 4590  
mis@harwin.co.uk

HARWIN Asia  
TEL: +65 6 779 4909  
FAX: +65 6 779 3868  
mis@harwin.com.sg

THIS DRAWING AND ANY INFORMATION OR DESCRIPTIVE MATTER SET OUT HEREON ARE CONFIDENTIAL AND COPYRIGHT PROPERTY OF THE HARWIN GROUP AND MUST NOT BE DISCLOSED, LOANED, COPIED OR USED FOR MANUFACTURING, TENDERING OR FOR ANY OTHER PURPOSE WITHOUT THEIR WRITTEN PERMISSION.

TOLERANCES  
X. = ±1mm  
X.X = ±0.25mm  
X.XX = ±0.10mm  
X.XXX = ±0.01mm  
ANGLES = ±5°  
UNLESS STATED

MATERIAL: SEE NOTES  
FINISH: SEE NOTES  
S/AREA: mm<sup>2</sup>

TITLE: MEMORY STICK SOCKET STANDARD  
DRAWING NUMBER: M506-5582042  
SHT 1 OF 1