

FCI CONFIDENTIAL



This document is the property of and embodies CONFIDENTIAL and PROPRIETARY information of FCI. No part of this information shown on this document may be used in any way or disclosed to others without the written consent of FCI.
Copyright FCI

| PRODUCT NO. | DIM "X" | | |
|-------------|----------|---------|---------------------|
| | 4.25±0.1 | 3.5±0.1 | 5.0±0.1 |
| 95548-**** | OTHERS | 36,67 | 1,17,34 35,51,68 |

95548-□□□□

HOLD DOWN : H

STAND-OFF

| | |
|----|----------|
| 00 | : 0.0 mm |
| 20 | : 2.0 mm |
| 22 | : 2.2 mm |
| 30 | : 3.0 mm |
| 40 | : 4.0 mm |
| 43 | : 4.3 mm |
| 50 | : 5.0 mm |

UPPER DECK : 5

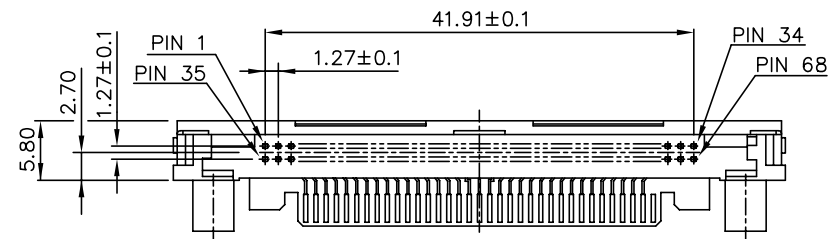
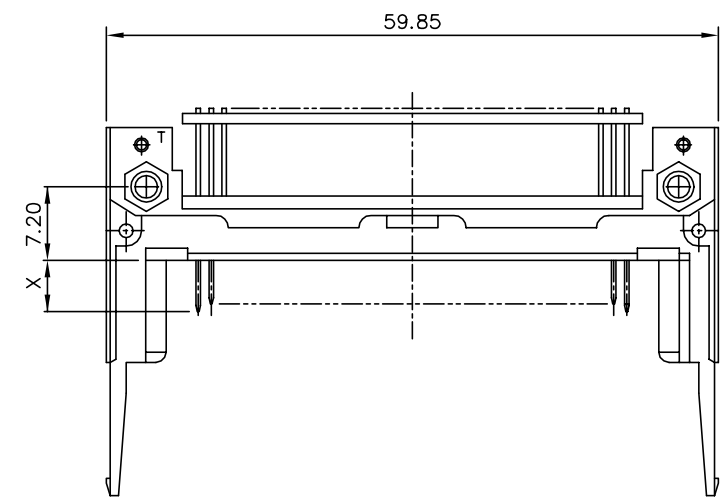
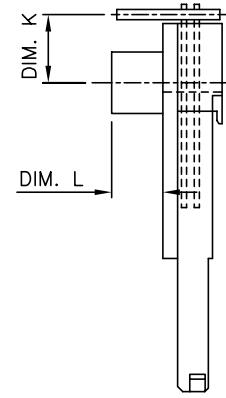
LOWER DECK : 0

LOWER DECK : 1
(FOR HOLLAND)

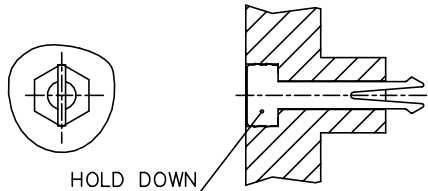
LOWER DECK : 2
(FOR KOREA)

TOP MOUNT : 0

BOTTOM MOUNT : 5



NOTE:
1. ADD "H" TO PART NUMBER FOR OPTIONAL HOLD DOWN (2 PER ASSEMBLY).



| | | |
|-------------|-----|------|
| 95548-0000 | 0 | -0.3 |
| 95548-0050H | 5 | -0.3 |
| 95548-0222 | 2.2 | 2.15 |
| 95548-0150 | 5 | -0.3 |
| 95548-0100 | 0 | 2.15 |
| 95548-0522 | 0 | 9.0 |
| 95548-0022 | 2.2 | 2.15 |
| 95548-0543 | 0 | 6.55 |
| 95548-0043 | 4.3 | -0.3 |
| 95548-0550 | 0 | 6.55 |
| 95548-0050 | 5 | -0.3 |
| 95548-0500 | 0 | 10.0 |

| PRODUCT NO. | DIM.L | DIM.K±0.20 |
|-------------|-------|------------|
|-------------|-------|------------|

| | | | | | | | | | |
|--------------------|----------------|---------------------------------------|---|------------------|--------|-------------|----------|---|--|
| mat'l. code | | surface | | tolerance | | projection | | product family | |
| | | ISO 1302 | | ISO 406 ISO 1181 | | | | PCMCIA | |
| tr echn no dr date | | tolerances unless otherwise specified | | title | | | | | |
| J | T03-0464 | W | L | 10/20/03 | angles | linear ±0.3 | | 68 POS EJECTOR HEADER HSG HEADER ASS'Y | |
| K | N04-0092 | W | B | 12/01/04 | linear | ±2' | | scale 2:1 | |
| L | N06-0110 | M | Z | 07/01'06 | dr | Mike Zhou | 07/01'06 | dwg no sheet 1 of 4 size | |
| M | N08-0099 | M | Z | 05/20'08 | chr | Qin David | 07/01'06 | 95548 A4 | |
| N | ELX-N-011439 | Z | K | 04/12/11 | appr | Jack Wang | 07/01'06 | type CUSTOMER Drawing | |
| sheet index | revision sheet | N | N | N | N | | | | |
| | | 1 | 2 | 3 | 4 | | | | |

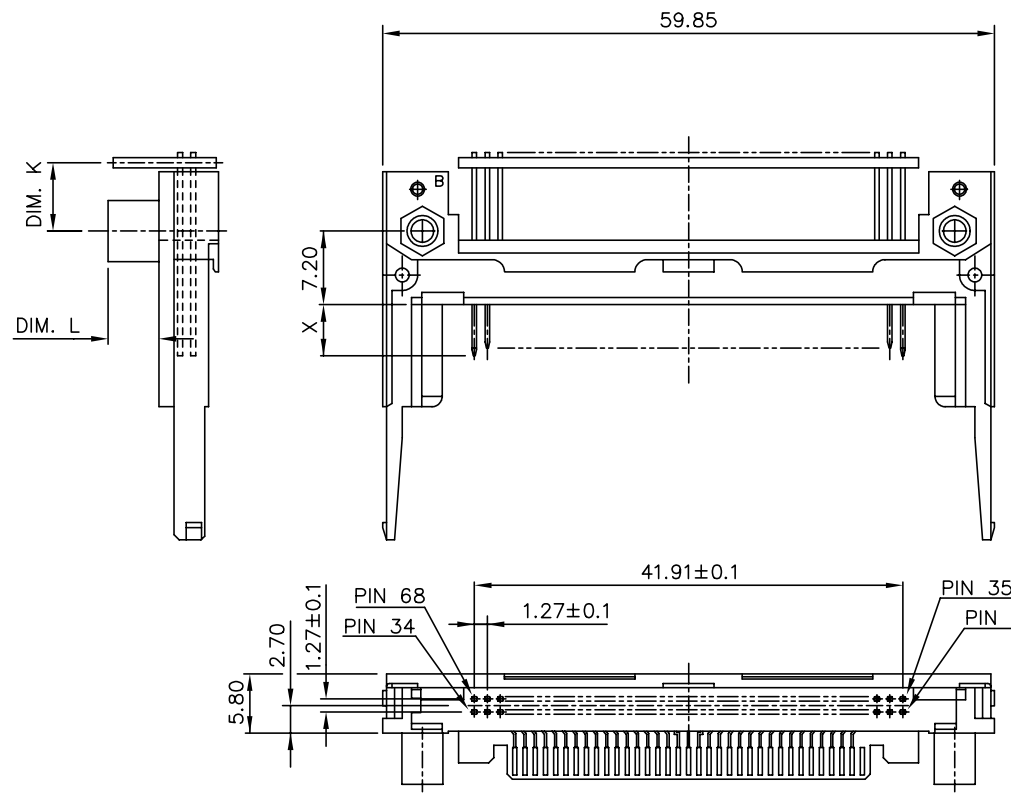
FCI CONFIDENTIAL



This document is the property of and embodies CONFIDENTIAL and PROPRIETARY information of FCI. No part of this information shown on this document may be used in any way or disclosed to others without the written consent of FCI.
Copyright FCI



| | | | |
|-------------|----------|---------|---------------------|
| PRODUCT NO. | DIM "X" | | |
| 95548-**** | 4.25±0.1 | 3.5±0.1 | 5.0±0.1 |
| | OTHERS | 36,67 | 1,17,34 35,51,68 |



| | | | | |
|--------|--------------|----|---|--------|
| 95548- | □ | □ | □ | |
| | STAND-OFF | 00 | : | 0.0 mm |
| | | 20 | : | 2.0 mm |
| | | 22 | : | 2.2 mm |
| | | 30 | : | 3.0 mm |
| | | 40 | : | 4.0 mm |
| | | 43 | : | 4.3 mm |
| | | 50 | : | 5.0 mm |
| | UPPER DECK | : | 5 | |
| | LOWER DECK | : | 0 | |
| | TOP MOUNT | : | 0 | |
| | BOTTOM MOUNT | : | 5 | |

| | | |
|------------|-----|------|
| 95548-5150 | 5 | 2.15 |
| 95548-5522 | 0 | 9.0 |
| 95548-5022 | 2.2 | 2.15 |
| 95548-5543 | 0 | 6.55 |
| 95548-5043 | 4.3 | -0.3 |
| 95548-5550 | 0 | 6.55 |
| 95548-5050 | 5 | -0.3 |
| 95548-5500 | 0 | 10.0 |

| | | |
|-------------|-------|------------|
| PRODUCT NO. | DIM.L | DIM.K±0.20 |
|-------------|-------|------------|

| | | | | |
|--------------------|---------------------------------------|------------------|------------|---|
| mat'l. code | surface | tolerance | projection | product family |
| | ISO 1302 | ISO 406 ISO 1181 | 1:1 | PCMCIA |
| ltr ecn no dr date | tolerances unless otherwise specified | | | title |
| N | angles | linear ±0.3 | MM | 68 POS EJECTOR HEADER HSG HEADER ASS'Y |
| | ±2' | | scale | |
| dr | Mike Zhou | 07/01'06 | | dwg no |
| enr | Mike Zhou | 07/01'06 | | sheet 2 of 4 |
| chr | Qin David | 07/01'06 | | size |
| appd | Jack Wang | 07/01'06 | | A4 |
| | | | | type CUSTOMER Drawing |
| sheet index | revision sheet | | | |

FCI CONFIDENTIAL



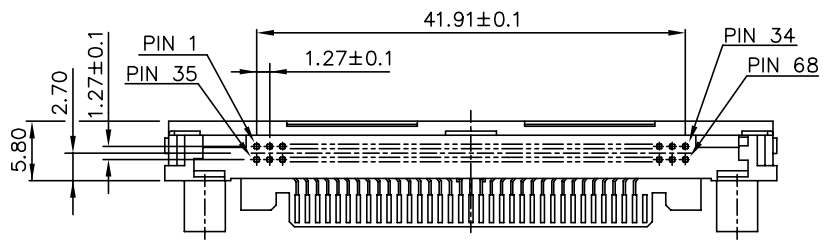
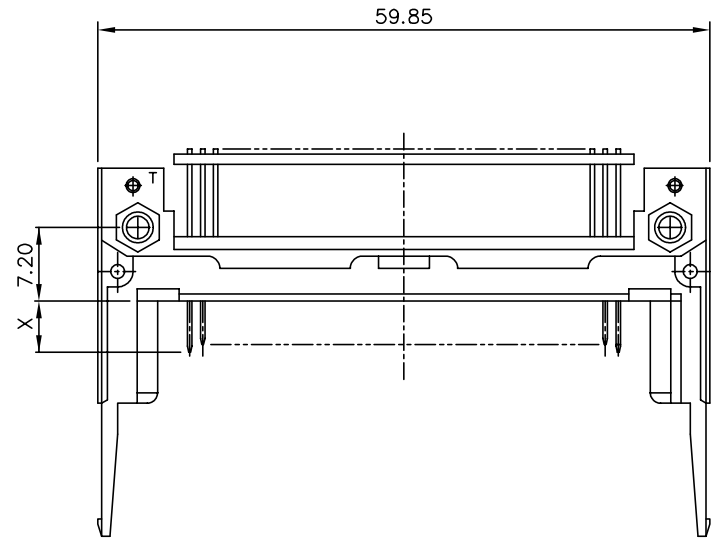
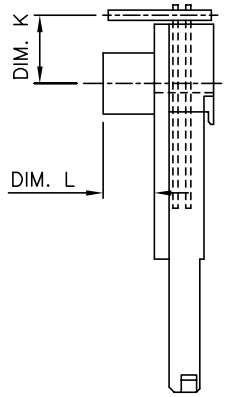
This document is the property of and embodies CONFIDENTIAL and PROPRIETARY information of FCI. No part of this information shown on this document may be used in any way or disclosed to others without the written consent of FCI.
Copyright FCI.

| | | | |
|--------------|----------|---------|---------------------|
| PRODUCT NO. | DIM "X" | | |
| 95548-****LF | 4.25±0.1 | 3.5±0.1 | 5.0±0.1 |
| | OTHERS | 36,67 | 1,17,34 35,51,68 |

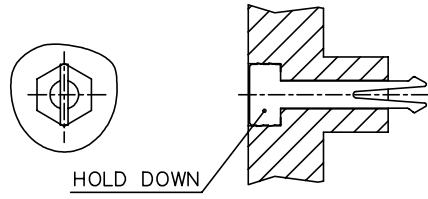
- 95548-□□□□□
- LEAD-FREE OPTION : LF
 - HOLD DOWN : H
 - STAND-OFF
 - 00 : 0.0 mm
 - 20 : 2.0 mm
 - 22 : 2.2 mm
 - 30 : 3.0 mm
 - 40 : 4.0 mm
 - 43 : 4.3 mm
 - 50 : 5.0 mm
 - UPPER DECK : 5
 - LOWER DECK : 0
 - LOWER DECK : 1
(FOR HOLLAND)
 - LOWER DECK : 2
(FOR KOREA)
 - TOP MOUNT : 0
 - BOTTOM MOUNT : 5

| | | |
|---------------|-----|------|
| 95548-0100MLF | 0 | 2.15 |
| 95548-0000LF | 0 | -0.3 |
| 95548-0051LF | 5 | -0.3 |
| 95548-0050HLF | 5 | -0.3 |
| 95548-0222LF | 2.2 | 2.15 |
| 95548-0150LF | 5 | -0.3 |
| 95548-0100LF | 0 | 2.15 |
| 95548-0522LF | 0 | 9.0 |
| 95548-0022LF | 2.2 | 2.15 |
| 95548-0543LF | 0 | 6.55 |
| 95548-0043LF | 4.3 | -0.3 |
| 95548-0550LF | 0 | 6.55 |
| 95548-0050LF | 5 | -0.3 |
| 95548-0500LF | 0 | 10.0 |

| | | |
|-------------|-------|------------|
| PRODUCT NO. | DIM.L | DIM.K±0.20 |
|-------------|-------|------------|



NOTE:
1. ADD "H" TO PART NUMBER FOR OPTIONAL HOLD DOWN (2 PER ASSEMBLY).



| | | | | | | | | | |
|--------------------|--|---------------------------------------|--|------------------|--|------------|--|---|--|
| mat'l. code | | surface | | tolerance | | projection | | product family | |
| | | ISO 1302 | | ISO 406 ISO 1101 | | 1:1 | | PCMCIA | |
| ltr ecn no dr date | | tolerances unless otherwise specified | | angles | | linear | | title | |
| N | | | | ±2' | | ±0.3 | | 68 POS EJECTOR HEADER HSG HEADER ASS'Y | |
| | | | | | | scale | | MM | |
| | | dr | | Mike Zhou | | 07/01'06 | | dwg no | |
| | | enr | | Mike Zhou | | 07/01'06 | | sheet 3 of 4 | |
| | | chr | | Qin David | | 07/01'06 | | size | |
| | | appd | | Jack Wang | | 07/01'06 | | 95548 | |
| | | | | | | | | A4 | |
| | | | | | | | | type CUSTOMER Drawing | |
| sheet index | | revision sheet | | | | | | | |

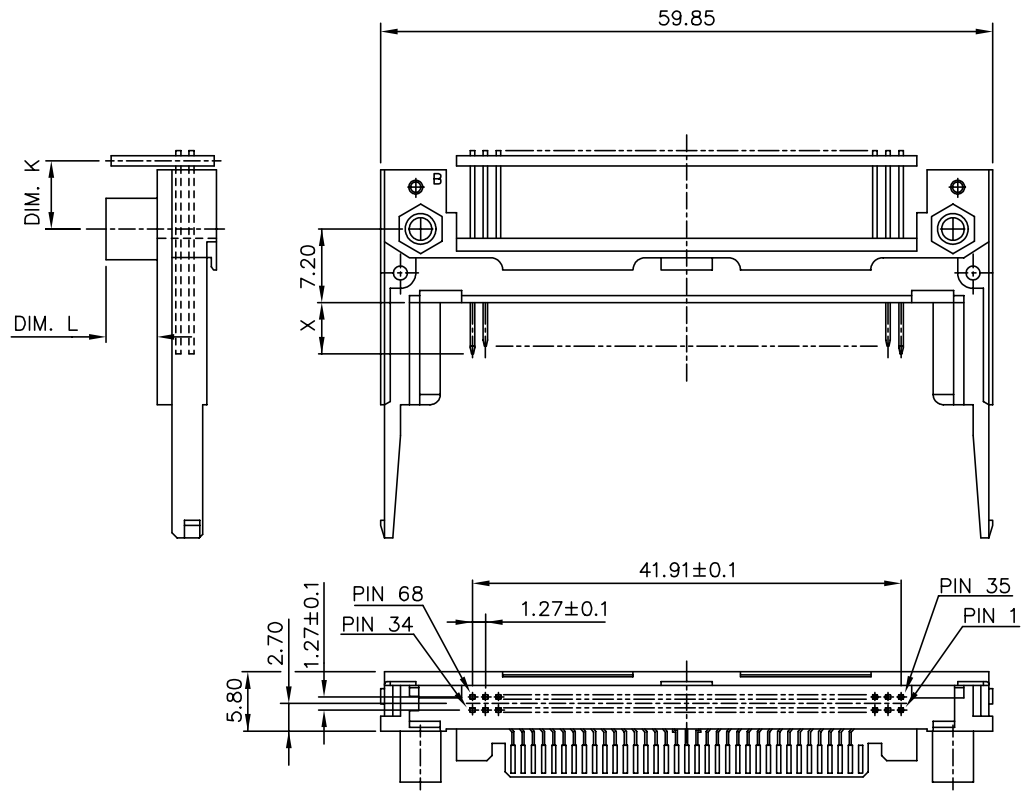
FCI CONFIDENTIAL



This document is the property of and embodies CONFIDENTIAL and PROPRIETARY information of FCI. No part of this information shown on this document may be used in any way or disclosed to others without the written consent of FCI.
Copyright FCI

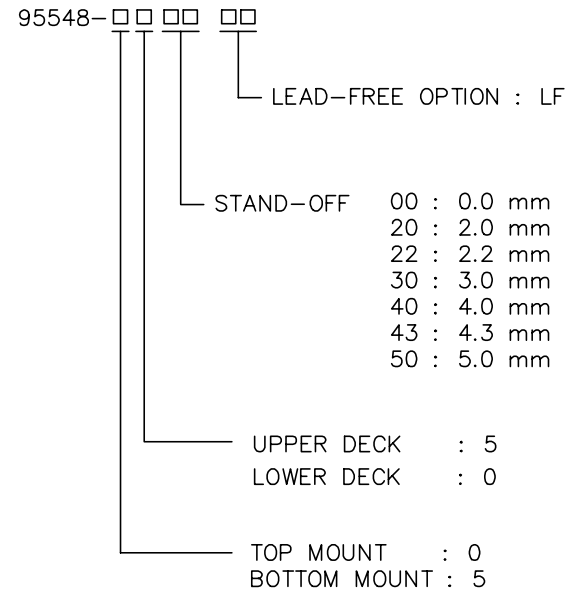


| | | | |
|--------------|----------|---------|---------------------|
| PRODUCT NO. | DIM"X" | | |
| 95548-****LF | 4.25±0.1 | 3.5±0.1 | 5.0±0.1 |
| | OTHERS | 36,67 | 1,17,34 35,51,68 |



Note:
 1. FINISH (PIN)
 UNDER PLATING : 0.5 μm MIN. Ni
 CONTACT AREA : 0.076 μm MIN. GOLD

SOLDER TAIL:
 TIN LEAD PLATING: 2.5 μm MIN. Sn-Pb
 LEAD FREE PLATING: 2.5 μm MIN. PURE TIN
 2. IF LEAD FREE P/N. THE HOUSING WILL WITHSTAND EXPOSURE TO 260°C PEAK FOR 10 SECONDS IN A WAVE SOLDER APPLICATION WITH A 1.00MM MINIMUM THICK CIRCUIT BOARD
 3. IF LEAD FREE P/N. PACKAGING MEETS GS-14-920 SPECIFICATION



| | | |
|--------------|-----|------|
| 95548-5150LF | 5 | 2.15 |
| 95548-5522LF | 0 | 9.0 |
| 95548-5022LF | 2.2 | 2.15 |
| 95548-5543LF | 0 | 6.55 |
| 95548-5043LF | 4.3 | -0.3 |
| 95548-5550LF | 0 | 6.55 |
| 95548-5050LF | 5 | -0.3 |
| 95548-5500LF | 0 | 10.0 |

| | | |
|-------------|-------|------------|
| PRODUCT NO. | DIM.L | DIM.K±0.20 |
|-------------|-------|------------|

4. PRODUCT SPEC:110-263

| | | | | |
|--------------------|---------------------------------------|-------------------------------|------------------------|--|
| mat'l. code | surface ISO 1302 | tolerance ISO 406 ISO 1181 | projection 1:1 | product family PCMCIA |
| ltr ecn no dr date | tolerances unless otherwise specified | | | title 68 POS EJECTOR HEADER HSG HEADER ASS'Y |
| N | angles ±2' | linear ±0.3 | MM | dwg no 95548 |
| | dr Mike Zhou 07/01'06 | enrg Mike Zhou 07/01'06 | chr Qin David 07/01'06 | sheet 4 of 4 size A4 |
| | appd Jack Wang 07/01'06 | scale | | type CUSTOMER Drawing |
| sheet index | revision sheet | | | |