

4

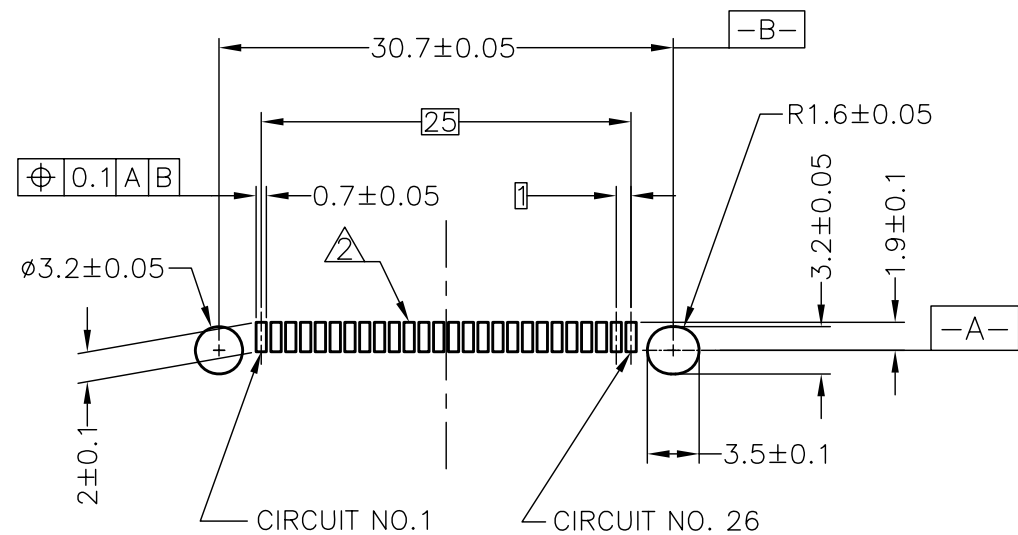
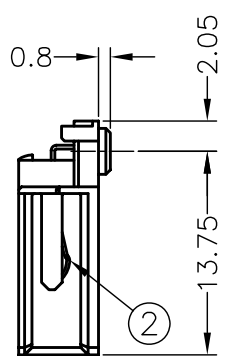
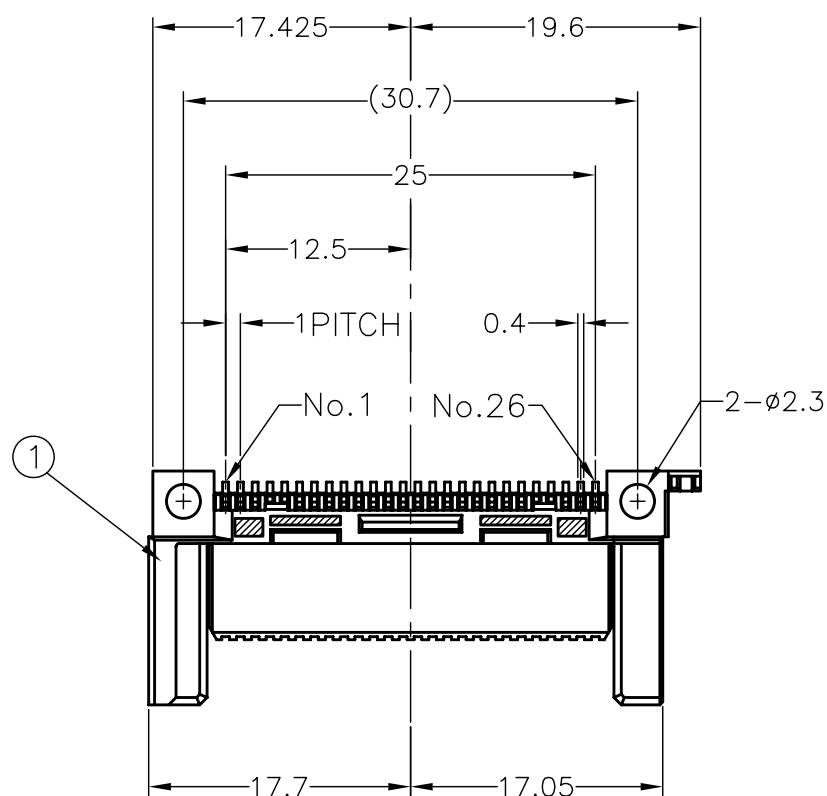
3

2

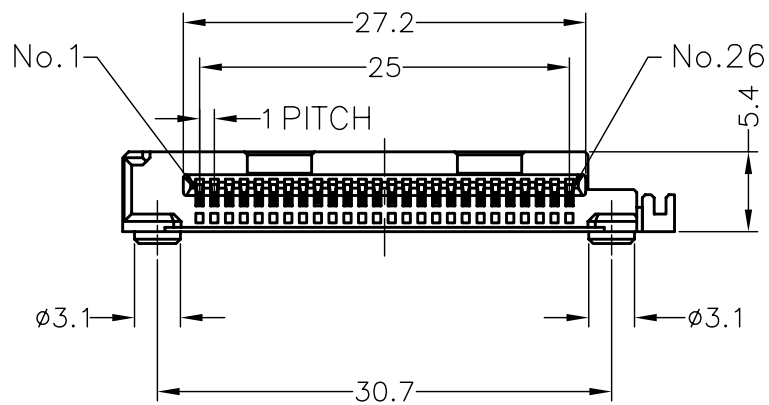
1

THIS DRAWING IS UNPUBLISHED. RELEASED FOR PUBLICATION
 © COPYRIGHT BY TYCO ELECTRONICS CORPORATION. ALL RIGHTS RESERVED.

LOC	DIST	REVISIONS			
P	LTR	DESCRIPTION	DATE	DWN	APVD
DW	/	C	REVISED (ECR-08-023963)	18SEP08	W.C H.K



REFERENCE P.C.BOARD LAYOUT
 GENERAL TOLERANCE ±0.05
 (SCALE: 2:1)
 (HEADER CONNECTOR MOUNTING LAYOUT DETAIL)



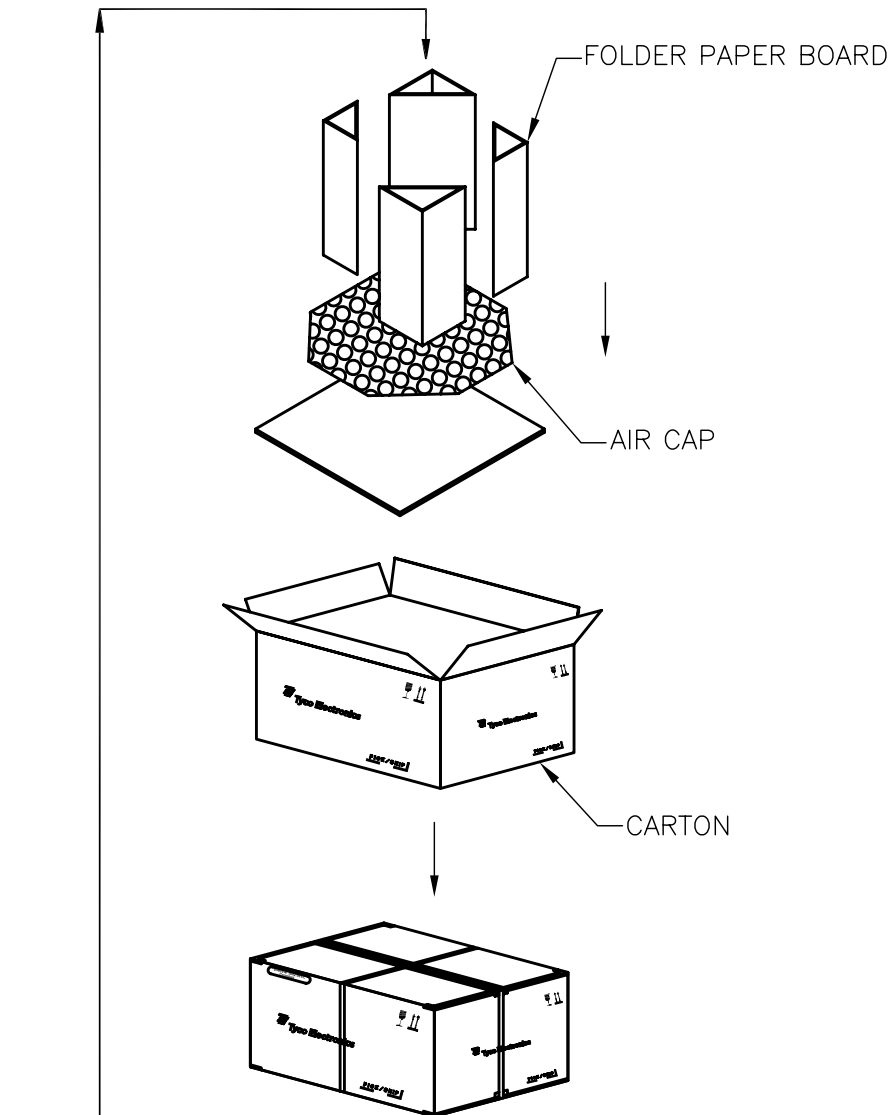
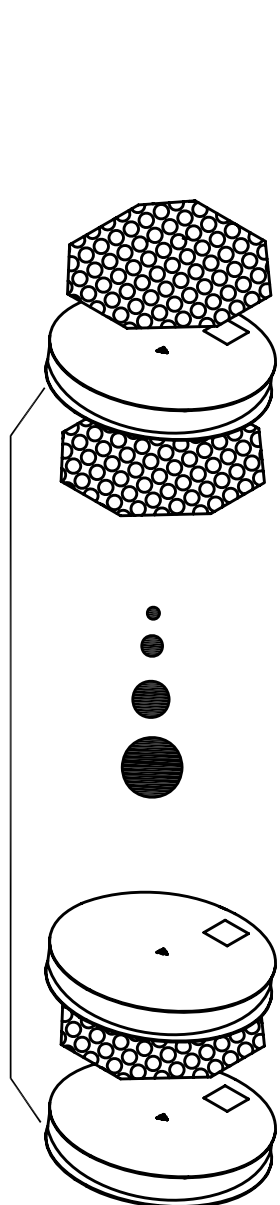
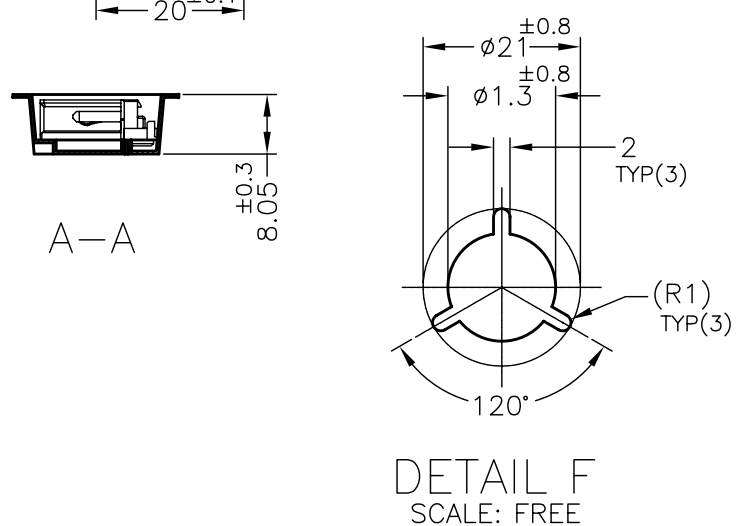
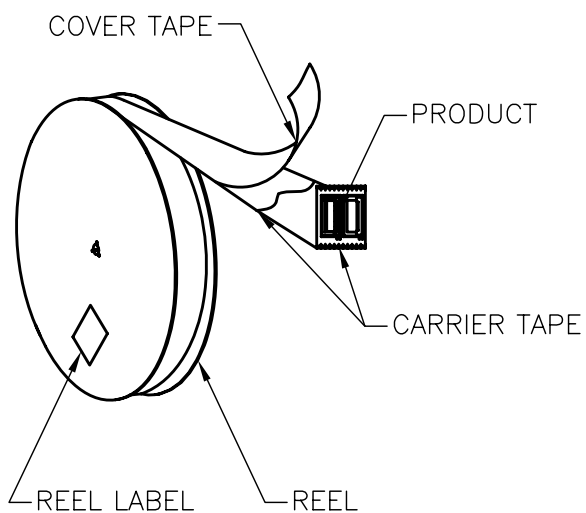
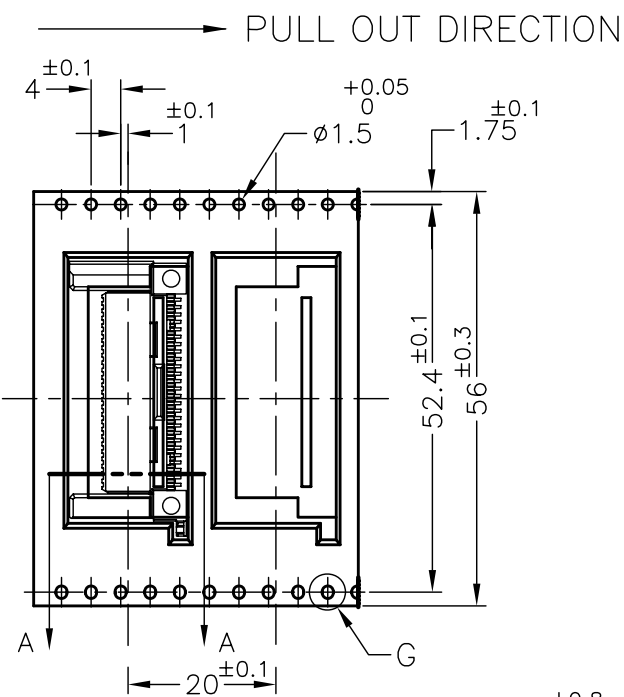
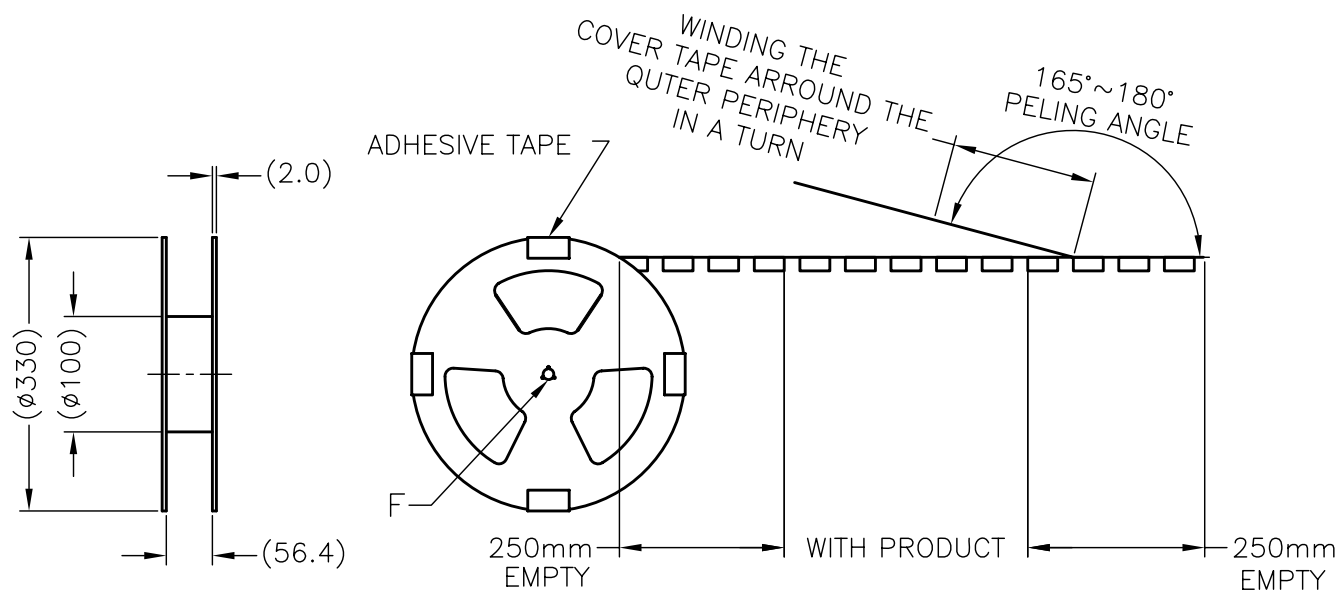
COPPER ALLOY Au 0.000381mm MIN., TIN 0.002mm MIN. Ni 0.00127mm MIN. UNDERPLATING ALL OVER	HIGH TEMP THERMOPLASTIC UL94 V-0 COLOR:BLACK	26	1759011-2
COPPER ALLOY Au 0.0002mm MIN., TIN 0.002mm MIN. Ni 0.00127mm MIN. UNDERPLATING ALL OVER	HIGH TEMP THERMOPLASTIC UL94 V-0 COLOR:BLACK	26	1759011-1
② CONTACT	① HEADER HSG	POS.	PART NUMBER

1. BE USE ALTOGETHER THE HEADER AND TYCO ELECTRONICS'S FRAME
 △ SOLDER PAD

THIS DRAWING IS A CONTROLLED DOCUMENT.		DWN M.CHAO 16FEB05	Tyco Electronics Corporation Tyco Electronics Taipei, Taiwan	
DIMENSIONS: mm		CHK T.FUTATSUGI 16FEB05	NAME	
TOLERANCES UNLESS OTHERWISE SPECIFIED: 0 PLC ± 0.5 1 PLC ± 0.5 2 PLC ± 0.5 3 PLC ± 0.5 4 PLC ± 0.5 ANGLES ± 1'		APVD H.KODAMA 16FEB05	HEADER ASSEMBLY TOP MOUNT, CARD PUSH TYPE ExpressCard CONNECTOR	
MATERIAL		PRODUCT SPEC 108-99000	SIZE A3	RESTRICTED TO
FINISH		APPLICATION SPEC	CAGE CODE 00779	DRAWING NO C-1759011
		WEIGHT 1.25 g	SCALE 2:1	SHEET 1 OF 2
		CUSTOMER DRAWING	REV C	

THIS DRAWING IS UNPUBLISHED. RELEASED FOR PUBLICATION
 © COPYRIGHT BY TYCO ELECTRONICS CORPORATION. ALL RIGHTS RESERVED.

LOC	DIST	REVISIONS		
DW		P	LTR	DESCRIPTION
				DATE
				DWN
				APVD
		SEE SHEET 1		



3. PACKING MATERIAL: CARRIER TAPE: HIPS; COLOR: CLEAR.
 COVER TAPE: PET; COLOR: CLEAR.
 4. CARTON DIMENSIONS: 355X355X310

350	4	1400
PCS/REEL	REEL/CARTON	TOTAL Q'TY

THIS DRAWING IS A CONTROLLED DOCUMENT.

DWN	CHK	APVD	PRODUCT SPEC	APPLICATION SPEC	WEIGHT	CUSTOMER DRAWING	
Tyco Electronics		Tyco Electronics Corporation		Taipei, Taiwan		NAME	
DIMENSIONS:		TOLERANCES UNLESS OTHERWISE SPECIFIED:		MATERIAL		FINISH	
mm		0 PLC ± 1		00779		C-1759011	
1 PLC ± 1		1 PLC ± 1		A3		RESTRICTED TO	
2 PLC ± 1		2 PLC ± 1		SCALE 1:1		SHEET 2 OF 2	
3 PLC ± 1		3 PLC ± 1		REV C			
4 PLC ± 1		4 PLC ± 1					
ANGLES ± 3'							