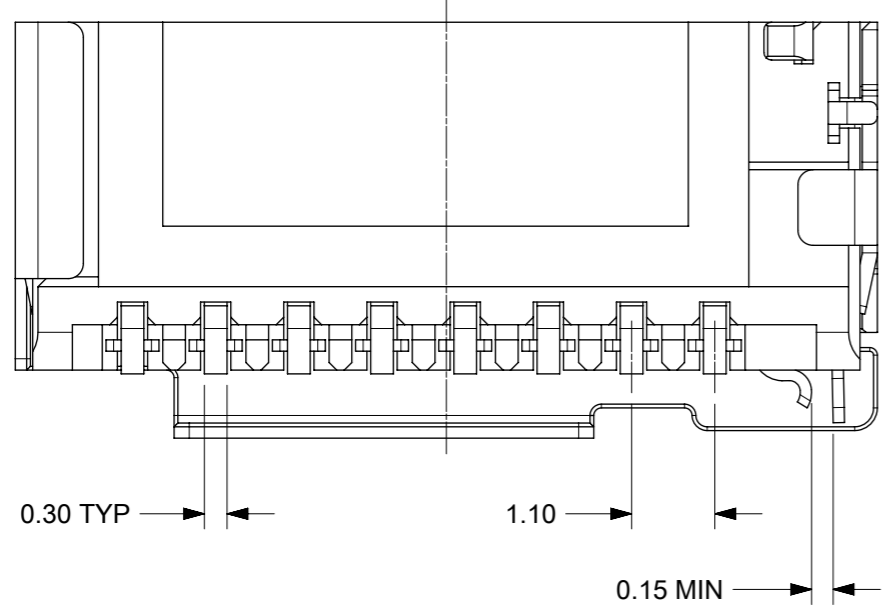
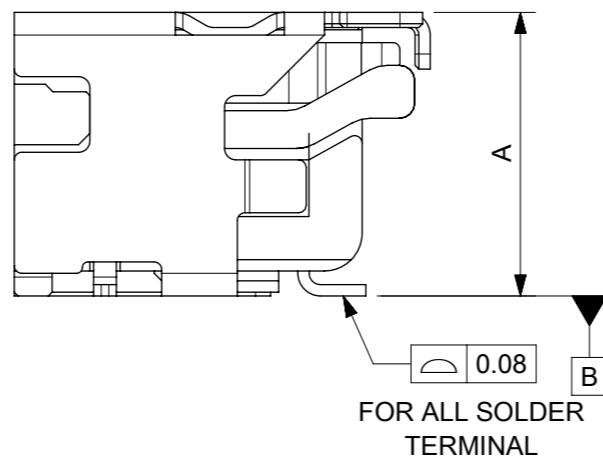
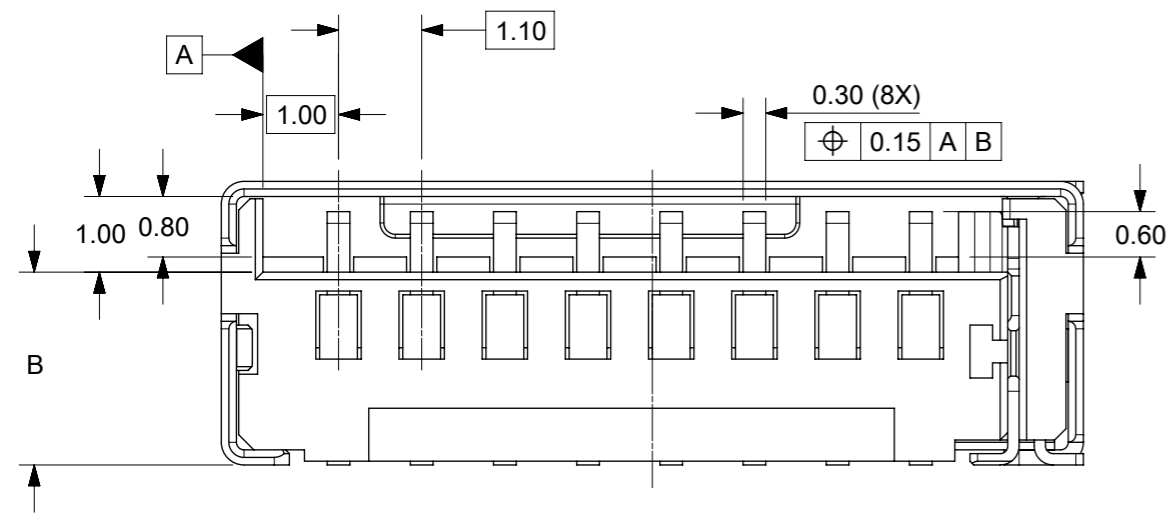


NOTES:

1. MATERIAL:
 - 1-1 HOUSING: LCP, 30% G/F, UL 94V-0, BLACK
 - 1-2 SIGNAL TERMINAL AND DETECT TERMINAL: PHOSPHOR BRONZE
 - 1-3 METAL SHELL: STAINLESS STEEL
2. FINISH:
 - 2-1 SIGNAL TERMINAL: 1.25 MICRON NICKEL MIN UNDER-PLATED, CONTACT AREA SEE TABLE, GOLD FLASH ON SOLDER AREA.
 - 2-2 METAL SHELL: GOLD FLASH PLATED OVER NICKEL ON SOLDER AREA.
 - 2-3 DETECT PIN: 1.25 MICRON NICKEL MIN UNDER-PLATED, GOLD FLASH ON CONTACT AREA, TIN PLATED ON SOLDER AREA.
3. PRODUCT SPECIFICATION: PS-47309-001.
4. PACKAGE SPECIFICATION: SEE TABLE.
5. THE FIRST "*" MEANS THE MANUFACTURE YEAR, THE FOLLOW "****" MEANS THE MANUFACTUR DAY. FOR EXAMPLE "2006/01/02" SHOULD BE "6002".
6. THE FIRST "*****" SHOW THE LAST FOUR NUMBER OF P/N, THE FIFTH "*" IS SHIFT IDENTIFY CODE "A, B, C", THE LAST "N" MEANS THE CUSTOMER VERSION.
7. PRODUCT COMPLIANT TO RoHS DIRECTIVE 2002/95/EC AND ELV 2000/53/EC.



PART NUMBER	DIM A	DIM B	CONTACT AREA PLATING	PACKAGE SPECIFICATION
47309-8375	3.75	2.55	0.1 MICRON MIN. GOLD	PK-47309-375
47309-8355	3.55	2.35	0.1 MICRON MIN. GOLD	PK-47309-335
47309-8335	3.35	2.15	0.1 MICRON MIN. GOLD	PK-47309-266
47309-2285	2.85	1.65	0.76 MICRON MIN. GOLD	
47309-8265			0.1 MICRON MIN. GOLD	
47309-8265	2.65	1.45	0.1 MICRON MIN. GOLD	

THIS DRAWING CONTAINS INFORMATION THAT IS PROPRIETARY TO MOLEX ELECTRONIC TECHNOLOGIES, LLC AND SHOULD NOT BE USED WITHOUT WRITTEN PERMISSION

CURRENT REV DESC: OBSOLETE PART NUMBER

molex

MICRO SD HEADER
W/DETECT PIN SALES DRAWING

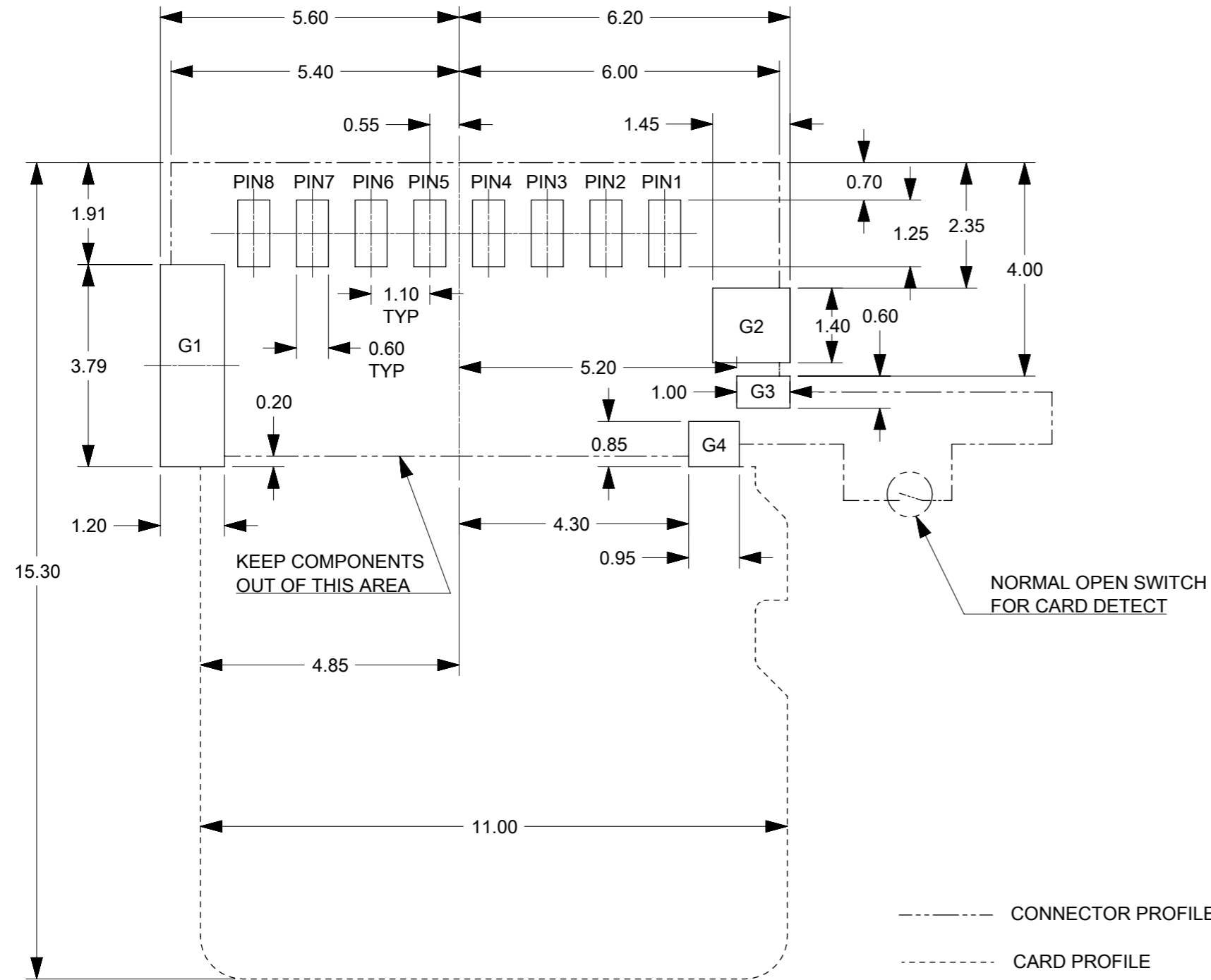
PRODUCT CUSTOMER DRAWING

EC NO: 638770
DRWN: VLOKESHA 2020/03/09
CHK'D: GGA 2020/07/21
APPR: GGA 2020/07/21

INITIAL REVISION:
DRWN: WFDENG 2009/12/08
APPR: XJSONG 2011/03/24

DOCUMENT NUMBER	DOC TYPE	DOC PART	REVISION
SD-47309-201	PSD	001	E1

DRAFT WHERE APPLICABLE MUST REMAIN WITHIN DIMENSIONS	THIRD ANGLE PROJECTION	DRAWING	SERIES	MATERIAL NUMBER	CUSTOMER	SHEET NUMBER
		A3-SIZE	47309	SEE TABLE	GENERAL MARKET	1 OF 2

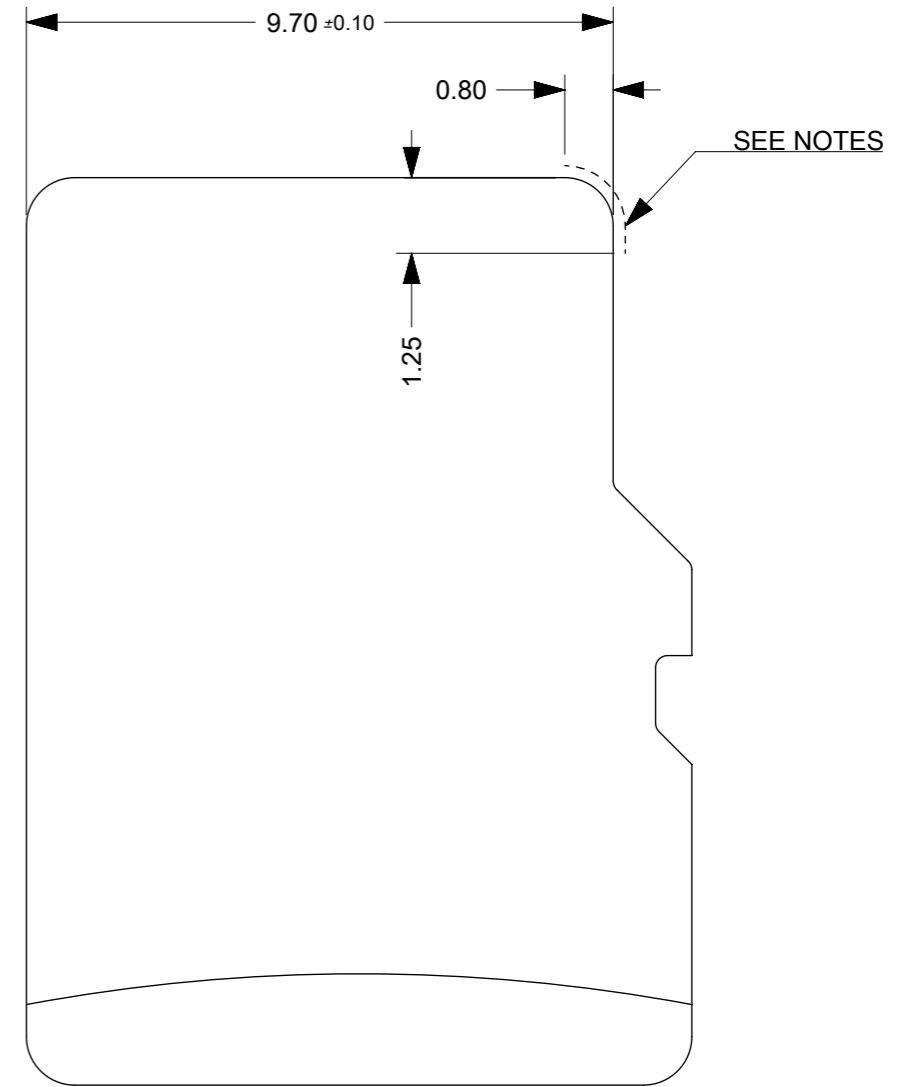


RECOMMENDED PCB LAYOUT
TOLDERANCE FOR PCB LAYOUT : ±0.05

G4	DET
G3	POL
G2	GND
G1	GND
P8	DAT1
P7	DAT0
P6	VSS
P5	CLK
P4	VDD
P3	CMD
P2	CD/DAT3
P1	DAT2
NAME	TYPE
PIN ASSIGNMENT	

----- CONNECTOR PROFILE
 - - - - - CARD PROFILE

NOTES:
NO CONDUCTIVE EXPOSURE TRACE IS ALLOWED ON THE SIDE FACE OF THE CARD AT THIS AREA.



TFR CARD

THIS DRAWING CONTAINS INFORMATION THAT IS PROPRIETARY TO MOLEX ELECTRONIC TECHNOLOGIES, LLC AND SHOULD NOT BE USED WITHOUT WRITTEN PERMISSION											
DIMENSION UNITS		SCALE		CURRENT REV DESC: OBSOLETE PART NUMBER				molex			
mm		1:1									
GENERAL TOLERANCES (UNLESS SPECIFIED)				EC NO: 638770							
ANGULAR TOL ± 1.0°				4 PLACES ±		DRWN: VLOKESHA		2020/03/09		MICRO SD HEADER W/DETECT PIN SALES DRAWING	
				3 PLACES ±		CHK'D: GGA		2020/07/21		PRODUCT CUSTOMER DRAWING	
				2 PLACES ± 0.15		APPR: GGA		2020/07/21		DOCUMENT NUMBER	
				1 PLACE ± 0.25		INITIAL REVISION:		2009/12/08		SD-47309-201	
				0 PLACES ±		DRWN: WFDENG		2011/03/24		PSD 001 E1	
				APPR: XJSONG		MATERIAL NUMBER		CUSTOMER		SHEET NUMBER	
DRAFT WHERE APPLICABLE MUST REMAIN WITHIN DIMENSIONS				THIRD ANGLE PROJECTION		DRAWING		SERIES		SEE TABLE	
				A3-SIZE		47309		GENERAL MARKET		2 OF 2	