

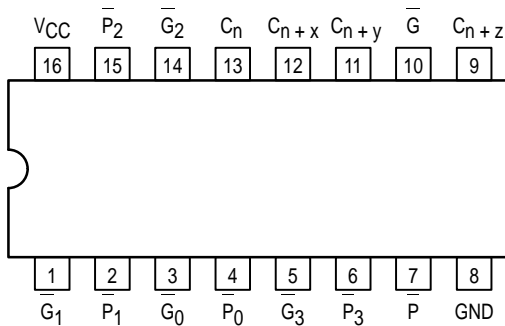


CARRY LOOKAHEAD GENERATOR

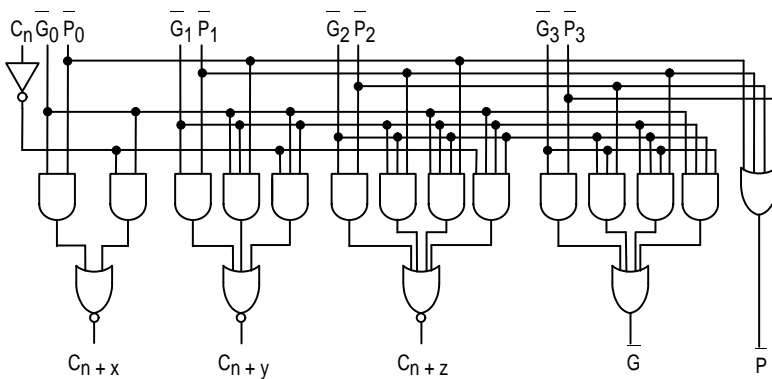
The MC54/74F182 is a high-speed carry lookahead generator. It is generally used with the F181, F381 or 29F01 4-bit arithmetic logic unit to provide high-speed lookahead over word lengths of more than four bits.

- Provides Lookahead Carries Across a Group of Four ALUs
- Multi-level Lookahead High-speed Arithmetic Operation Over Long Word Lengths

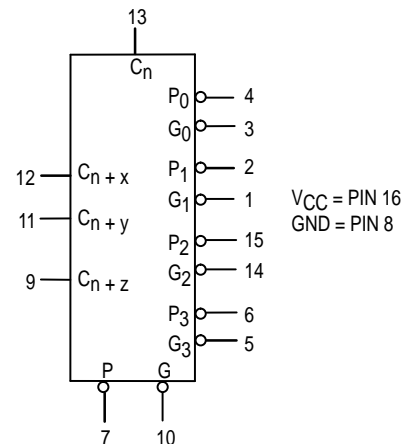
CONNECTION DIAGRAM DIP (TOP VIEW)



LOGIC DIAGRAM



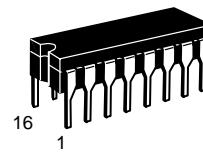
LOGIC SYMBOL



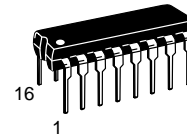
MC54/74F182

CARRY LOOKAHEAD GENERATOR

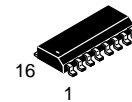
FAST™ SCHOTTKY TTL



J SUFFIX
CERAMIC
CASE 620-09



N SUFFIX
PLASTIC
CASE 648-08



D SUFFIX
SOIC
CASE 751B-03

ORDERING INFORMATION

| | |
|-----------|---------|
| MC54FXXXJ | Ceramic |
| MC74FXXXN | Plastic |
| MC74FXXXD | SOIC |

LIFETIME BUY

LAST SHIP 30/09/99
LAST ORDER 31/03/99

MC54/74F182

FUNCTION TABLE

| Inputs | | | | | | | | | Outputs | | | | |
|----------------|----------------|----------------|----------------|----------------|----------------|----------------|----------------|----------------|------------------|------------------|------------------|---|---|
| C _n | G ₀ | P ₀ | G ₁ | P ₁ | G ₂ | P ₂ | G ₃ | P ₃ | C _{n+x} | C _{n+y} | C _{n+z} | G | P |
| X | H | H | | | | | | | L | | | | |
| L | H | X | | | | | | | L | | | | |
| X | L | X | | | | | | | H | | | | |
| H | X | L | | | | | | | H | | | | |
| X | X | X | H | H | | | | | | L | | | |
| X | H | H | H | X | | | | | | L | | | |
| L | H | X | H | X | | | | | | L | | | |
| X | X | X | L | X | | | | | | H | | | |
| X | L | X | X | L | | | | | | H | | | |
| H | X | L | X | L | | | | | | H | | | |
| X | X | X | X | X | H | H | | | | | L | | |
| X | X | X | H | H | H | X | | | | | L | | |
| X | H | H | H | X | H | X | | | | | L | | |
| L | H | X | H | X | H | X | | | | | L | | |
| X | X | X | X | X | L | X | | | | | H | | |
| X | X | X | L | X | X | L | | | | | H | | |
| X | L | X | X | L | X | L | | | | | H | | |
| H | X | L | X | L | X | L | | | | | H | | |
| | X | | X | X | X | X | H | H | | | | H | |
| | X | | X | X | H | H | H | X | | | | H | |
| | X | | H | H | H | X | H | X | | | | H | |
| | X | | X | X | X | X | L | X | | | | L | |
| | X | | X | X | L | X | X | L | | | | L | |
| | X | | L | X | X | L | X | L | | | | L | |
| | L | | X | L | X | L | X | L | | | | L | |
| | | H | | X | | X | | X | | | | | H |
| | | X | | H | | X | | X | | | | | H |
| | | X | | X | | H | | X | | | | | H |
| | | X | | X | | X | | H | | | | | H |
| | | L | | L | | L | | L | | | | | L |

H = HIGH Voltage Level
 L = LOW Voltage Level
 X = Don't Care

GUARANTEED OPERATING RANGES

| Symbol | Parameter | | Min | Typ | Max | Unit |
|-----------------|-------------------------------------|--------|-----|-----|------|------|
| V _{CC} | Supply Voltage | 54,74 | 4.5 | 5.0 | 5.5 | V |
| T _A | Operating Ambient Temperature Range | 54 | -55 | 25 | 125 | °C |
| | | 74 | 0 | 25 | 70 | |
| I _{OH} | Output Current — High | 54, 74 | | | -1.0 | mA |
| I _{OL} | Output Current — Low | 54, 74 | | | 20 | mA |

LIFETIME BUY

LAST ORDER 31/03/99 LAST SHIP 30/09/99

MC54/74F182

DC CHARACTERISTICS OVER OPERATING TEMPERATURE RANGE (unless otherwise specified)

| Symbol | Parameter | | Limits | | | Unit | Test Conditions | |
|------------------|---|---|--------|------|------|------|--|--------------------------|
| | | | Min | Typ | Max | | | |
| V _{IH} | Input HIGH Voltage | | 2.0 | | | V | Guaranteed Input HIGH Voltage | |
| V _{IL} | Input LOW Voltage | | | | 0.8 | V | Guaranteed Input LOW Voltage | |
| V _{IK} | Input Clamp Diode Voltage | | | | -1.2 | V | I _{IN} = -18 mA | V _{CC} = MIN |
| V _{OH} | Output HIGH Voltage | 54, 74 | 2.5 | 3.4 | | V | I _{OH} = -1.0 mA | V _{CC} = 4.50 V |
| | | 74 | 2.7 | 3.4 | | V | I _{OH} = -1.0 mA | V _{CC} = 4.75 V |
| V _{OL} | Output LOW Voltage | | | 0.35 | 0.5 | V | I _{OL} = 20 mA | V _{CC} = MIN |
| I _{IH} | Input HIGH Current | | | | 20 | μA | V _{IN} = 2.7 V | V _{CC} = MAX |
| | | | | | 100 | μA | V _{IN} = 7.0 V | V _{CC} = MAX |
| I _{IL} | Input LOW Current | C _n Input | | | -1.2 | mA | V _{IN} = 0.5 V | V _{CC} = MAX |
| | | P ₃ Input | | | -2.4 | | | |
| | | P ₂ Input | | | -3.6 | | | |
| | | G ₃ , P ₀ , P ₁ Inputs | | | -4.8 | | | |
| | | G ₀ , G ₂ Inputs | | | -8.4 | | | |
| | | G ₁ Input | | | -9.6 | | | |
| I _{OS} | Output Short Circuit Current (Note 2) | | -60 | | -150 | mA | V _{OUT} = 0 V | V _{CC} = MAX |
| I _{CCH} | Power Supply Current (All Outputs HIGH) | | | 18.4 | 28 | mA | P ₃ , G ₃ = 4.5 V All Other Inputs = GND | V _{CC} = MAX |
| I _{CCL} | Power Supply Current (All Outputs LOW) | | | 23.5 | 36 | mA | G ₀ , G ₁ , G ₂ = 4.5 V All Other Inputs = GND | V _{CC} = MAX |

NOTES:

- For conditions shown as MIN or MAX, use the appropriate value specified under guaranteed operating ranges.
- No more than one output should be shorted at a time, nor for more than 1 second.


AC CHARACTERISTICS

| Symbol | Parameter | 54/74F | | | 54F | | 74F | | Unit |
|------------------|--|------------------------|-----|-----|----------------------------------|------|-------------------------------|-----|------|
| | | T _A = +25°C | | | T _A = -55°C to +125°C | | T _A = 0°C to +70°C | | |
| | | Min | Typ | Max | Min | Max | Min | Max | |
| t _{PLH} | Propagation Delay | 3.0 | 6.6 | 8.5 | 3.0 | 10.5 | 3.0 | 9.5 | ns |
| t _{PHL} | C _n to C _{n+x} , C _{n+y} , C _{n+z} | 3.0 | 6.8 | 9.0 | 3.0 | 11 | 3.0 | 10 | |
| t _{PLH} | Propagation Delay | 2.5 | 6.2 | 8.0 | 2.5 | 10.7 | 2.5 | 9.0 | ns |
| t _{PHL} | P ₀ , P ₁ , or P ₂ to C _{n+x} , C _{n+y} , C _{n+z} | 1.5 | 3.7 | 5.0 | 1.5 | 6.5 | 1.5 | 6.0 | |
| t _{PLH} | Propagation Delay | 2.5 | 6.5 | 8.5 | 2.5 | 10.5 | 2.5 | 9.5 | ns |
| t _{PHL} | G ₀ , G ₁ , or G ₂ to C _{n+x} , C _{n+y} , C _{n+z} | 1.5 | 3.9 | 5.2 | 1.5 | 6.5 | 1.5 | 6.0 | |

LIFETIME BUY

LAST SHIP 30/09/99
LAST ORDER 31/03/99

Mfax is a trademark of Motorola, Inc.

Motorola reserves the right to make changes without further notice to any products herein. Motorola makes no warranty, representation or guarantee regarding the suitability of its products for any particular purpose, nor does Motorola assume any liability arising out of the application or use of any product or circuit, and specifically disclaims any and all liability, including without limitation consequential or incidental damages. "Typical" parameters which may be provided in Motorola data sheets and/or specifications can and do vary in different applications and actual performance may vary over time. All operating parameters, including "Typicals" must be validated for each customer application by customer's technical experts. Motorola does not convey any license under its patent rights nor the rights of others. Motorola products are not designed, intended, or authorized for use as components in systems intended for surgical implant into the body, or other applications intended to support or sustain life, or for any other application in which the failure of the Motorola product could create a situation where personal injury or death may occur. Should Buyer purchase or use Motorola products for any such unintended or unauthorized application, Buyer shall indemnify and hold Motorola and its officers, employees, subsidiaries, affiliates, and distributors harmless against all claims, costs, damages, and expenses, and reasonable attorney fees arising out of, directly or indirectly, any claim of personal injury or death associated with such unintended or unauthorized use, even if such claim alleges that Motorola was negligent regarding the design or manufacture of the part. Motorola and  are registered trademarks of Motorola, Inc. Motorola, Inc. is an Equal Opportunity/Affirmative Action Employer.

How to reach us:

USA/EUROPE/Locations Not Listed: Motorola Literature Distribution; P.O. Box 5405, Denver, Colorado 80217.
1-303-675-2140 or 1-800-441-2447

JAPAN: Motorola Japan Ltd.; SPS, Technical Information Center, 3-20-1, Minami-Azabu. Minato-ku, Tokyo 106-8573 Japan.
81-3-3440-3569

ASIA/PACIFIC: Motorola Semiconductors H.K. Ltd.; Silicon Harbour Centre, 2 Dai King Street, Tai Po Industrial Estate, Tai Po, N.T., Hong Kong. 852-26668334

Customer Focus Center: 1-800-521-6274

Mfax™: RMFAX0@email.sps.mot.com – TOUCHTONE 1-602-244-6609
Motorola Fax Back System – US & Canada ONLY 1-800-774-1848
– <http://sps.motorola.com/mfax/>

HOME PAGE: <http://motorola.com/sps/>

