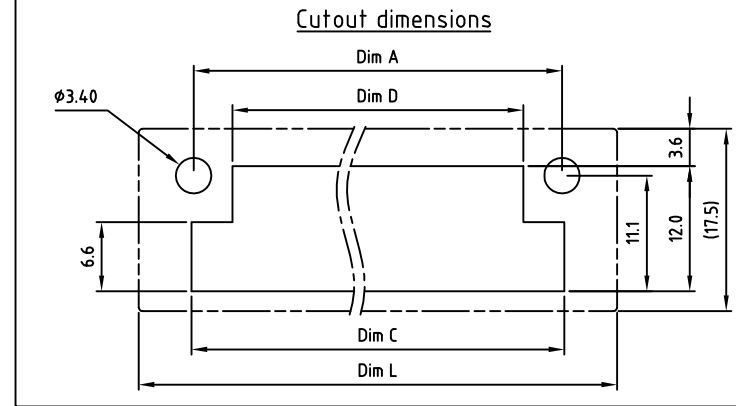
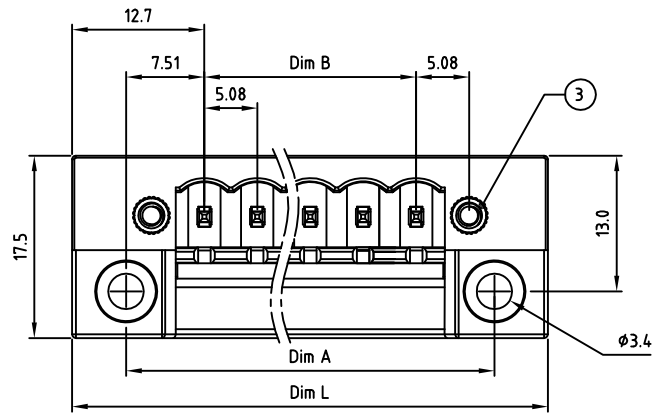


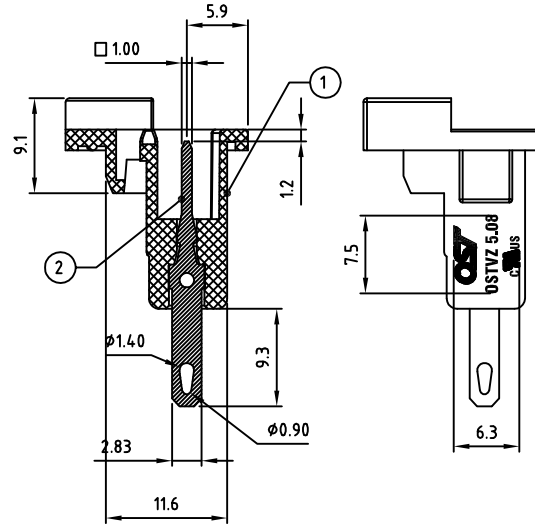
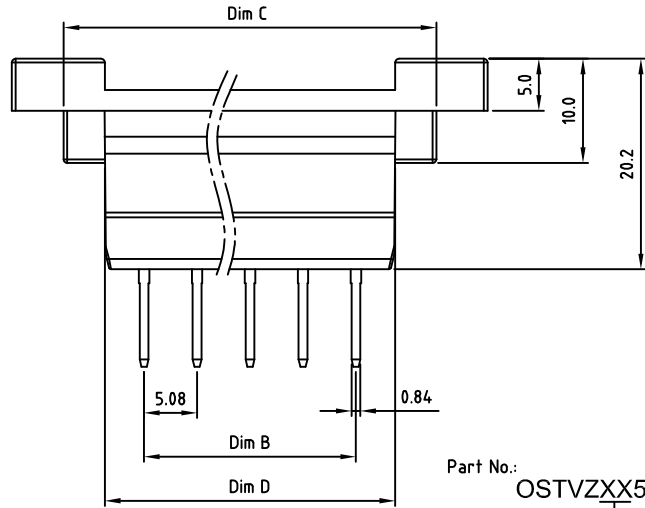
Transfer or duplication of this document as well as the utilisation or communication of its content are not permitted unless express consent is granted. Violations give rise to claims for damages. All rights reserved in case of patent, utility model or design patent registrations.



**Technical data**

1. Nominal voltage: 300V/15A  
PITCH: 5.08mm
2. Insulation Withstanding Voltage:  
AC 1600V/MIN
3. Insulation Resistance:  
1000MΩ or more at DC500V
4. Operating temperature range: -40°C ~ 115°C
5. Soldering temperature range: 250°C ± 10°C / 5sec
6. Safety approval:
7. RoHS Compliance
8. Undimensioned Tolerances:

Dim.L=(P-1)x5.08+25.36		
Dim.A=(P-1)x5.08+15.02		
Dim.B=(P-1)x5.08		
Dim.C=(P-1)x5.08+15.44		
Dim.D=(P-1)x5.08+7.52		
P= number of poles 2-24P		
	Dim B	Dim L, A, C, D
0-30mm	±0.15	±0.20
over 30mm-60mm	±0.20	±0.25
over 60mm-90mm	±0.25	±0.30
over 90mm	±0.30	±0.40



Part No.: **OSTVZXX5050**

- |                     |                     |
|---------------------|---------------------|
| <b>No. of Poles</b> | <b>COLOR</b>        |
| 02 2 Poles          | 0: Black            |
| 03 3 Poles          | 2: Red              |
| ...                 | 3: Orange           |
| 24 24 Poles         | 4: Yellow           |
|                     | 5: Green (Standard) |
|                     | 6: Blue             |
|                     | 8: Grey             |

Nonstandard colors  
Mins could apply

3	FLANGE NUT	BRASS						2
2	PIN	BRASS					TIN PLATED	P
1	BODY	PA66 UL94V-0						1
ITEM	NAME OF PART	MATERIAL	NOTES				Q'TY	
DWG	Marvin Zhang	DATE	2017.07.01	UNITS:	MM	SHEET:	1 OF 1	Tolerance
CHK.	Marvin Zhang	DATE	2017.07.20	SCALE:	NONE 5:1 ( : )	REV:	A	X. ±0.50
APP.		DATE		TITLE:	OSTVZ5.08 Series W/flange Vertical (180D)			X.X ±0.30
				PART NO.	OSTVZXX5050			X* ±1.0
				DWG NO.	OSTVZXX5050.dwg			X° ±1°

SIGN	DESCRIPTION	CHK.	DATE	

ON-SHORE TECHNOLOGY, INC.	DWG NO. OSTVZXX5050.dwg