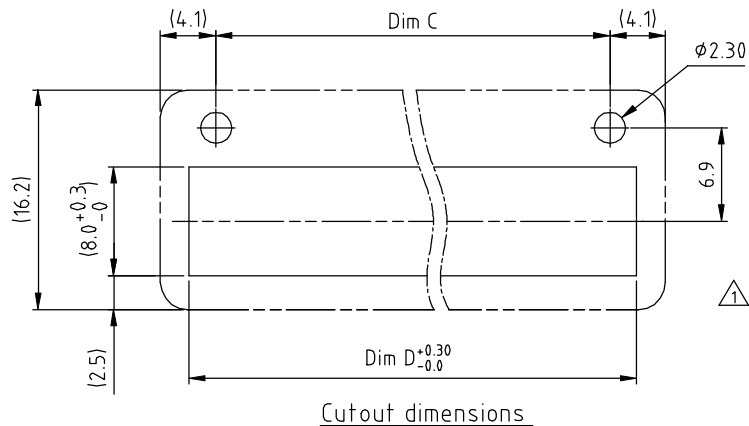
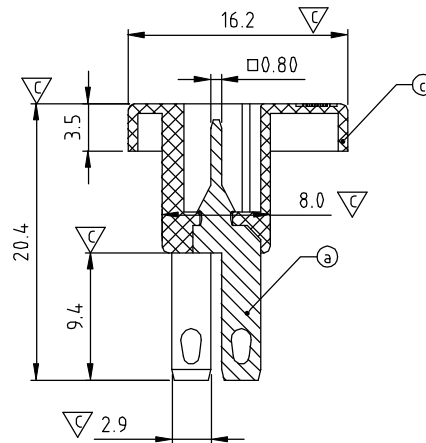


N=Number of contacts



Cutout dimensions



SECTION A-A

DIMENSION $\triangle 3$

Dim A	$N \times 3.81 + 14.39$
Dim B	$(N-1) \times 3.81$
Dim C	$(N-1) \times 3.81 + 10.0$
Dim D	$(N-1) \times 3.81 + 13.95$

Poles	Tolerance
2pole~5pole	± 0.20
6pole~10pole	± 0.30
11pole~15pole	± 0.35
16pole~24pole	± 0.40

SIGN	DATE	DESCRIPTION	APPROVER
$\triangle 1$	3/24'06	Add Cutout dimensions	Marvin
$\triangle 2$	12/14'06	Removed soldering temperature standard.	Marvin
$\triangle 3$	2009.7.3	Add the tolerance table	Jacke
$\triangle 4$	2009.7.3	The temperature changed from -30°C $+105^{\circ}\text{C}$ to -40°C $+115^{\circ}\text{C}$	Jacke
$\triangle 5$	2013.10.17	Update the drawing	Chen Bo

THIS IS CAD DRAWING, DO NOT REVISE MANUALLY!!!

Material:

- Item a) Solder Pin: Brass , Tin plated.
 - Item b) Flange screw nut: brass M2.5.
 - Item c) Terminal (housing): Thermoplastic(UL94 V-0)
- $\triangle 2$ Electrical cULus
- Voltage rating: 300VAC
 - Current rating: 10A.
 - Withstanding Voltage: 1.6kv
 - Operating temperature: -40°C to $+115^{\circ}\text{C}$
 - Safety Approval:
 - Critical dimension: ∇

VZ xx 30 x 0 xxxx G

- Solid Block
- 02 2 CONTACTS
 - 03 3 CONTACTS
 -
 - 24 24 CONTACTS
- COLOR
- 0 Black (RAL9005)
 - 2 Red (RAL3001/D)
 - 3 Orange(RAL2011/P)
 - 4 Yellow(RAL1018/A)
 - 5 Green(RAL6018/T)
 - 6 Blue (RAL5015/A)
 - 8 Grey(RAL7035/D)
 - 9 White(RAL1102)
 - C Green(RAL6018/U)
- G RoHS compliant (lead<4%)
In copper Alloy
- 000 0 Standard @ Logo
000 A Standard ANY Logo
Any special item by customer request, please contact sales department.

ANYTEK

CUSTOMER COPY

ALL RIGHTS RESERVED. REPRODUCTION OR ISSUE TO THIRD PARTIES IN ANY FORM WHATSOEVER IS NOT PERMITTED WITHOUT WRITTEN AUTHORITY FROM THE PROPRIETOR. PROPERTY OF ANYTEK TECHNOLOGY CO., LTD

TITLE		VZ-3.81 Series		DWG NO.		8VZ0001	
PART NO.		VZxx30x0xxxxG		DWG NO.		8VZ0001	
APPROVED		DESIGNED	DRAWN	CUST NO.		Tolerance	
		Chen Bo	Chen Bo			X. ± 0.50	
		10/17'13	10/17'13			X.X ± 0.30	
						X.XX ± 0.10	
						X° $\pm 1^{\circ}$	
				SHEET: 01/01		REV.: G	