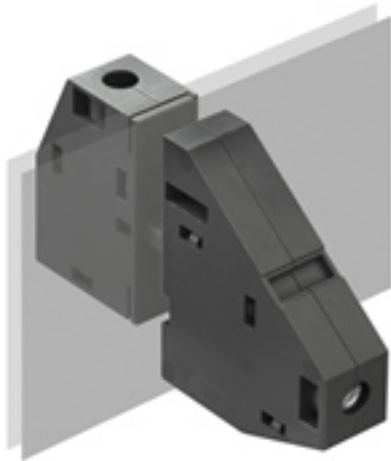


OMNIMATE Power - series WGK WGKV 25/Z gn/ye

Weidmüller Interface GmbH & Co. KG
 Klingenbergstraße 16
 D-32758 Detmold
 Germany
 Fon: +49 5231 14-0
 Fax: +49 5231 14-292083
 www.weidmueller.com



The WGK finger-proof-insulated enclosures are especially suitable as industrial electronic enclosures for frequency converters, power supplies or filter components which offer a convenient and reliable form of connection internally and externally.

General ordering data

| | |
|------------|---|
| Order No. | 1936740000 |
| Type | WGKV 25/Z gn/ye |
| Version | OMNIMATE Power - series WGK, Feedthrough terminal, Rated cross-section: 25 mm ² , Screw connection, green / yellow, Direct mounting, Feedthrough (bushing) |
| GTIN (EAN) | 4032248671229 |
| Qty. | 25 pc(s). |

**OMNIMATE Power - series WGK
WGKV 25/Z gn/ye**

Weidmüller Interface GmbH & Co. KG
 Klingenbergstraße 16
 D-32758 Detmold
 Germany
 Fon: +49 5231 14-0
 Fax: +49 5231 14-292083
 www.weidmueller.com

Technical data**Dimensions and weights**

| | | | |
|------------|----------|--------------------------|---------|
| Length | 75.75 mm | Width | 15.1 mm |
| Height | 54 mm | Height of lowest version | 54 mm |
| Net weight | 67.224 g | | |

2 clampable conductors with identical cross-section

| | | | |
|---|-------|---|--------|
| Wire connection cross section AWG, max. | AWG 3 | Wire connection cross section AWG, min. | AWG 10 |
|---|-------|---|--------|

Additional connection

| | | | |
|-------------------------|--------------|-------------------------|--------|
| Blade size | 1.2 x 6.5 mm | Clamping screw | M 6 |
| Rated current | 101 A | Tightening torque, max. | 4.5 Nm |
| Tightening torque, min. | 4 Nm | | |

Conductors suitable for clamping

| | | | |
|---|---------------------|---|--------------------|
| Cross-section for connected conductor, finely stranded with wire-end ferrules and plastic collars DIN 46228/4, rated connection, min. | 10 mm ² | Twin wire-end ferrules, max. | 10 mm ² |
| Twin wire-end ferrules, min. | 2.5 mm ² | Wire connection cross section AWG, max. | AWG 3 |
| Wire connection cross section AWG, min. | AWG 10 | Wire connection cross section, finely stranded with wire-end ferrules DIN 46228/1, rated connection, max. | 25 mm ² |
| Wire connection cross section, finely stranded with wire-end ferrules DIN 46228/1, rated connection, min. | 4 mm ² | Wire connection cross section, finely stranded, max. | 25 mm ² |
| Wire connection cross section, solid core max. rated connection | 16 mm ² | Wire connection cross section, solid core, max. rated connection | 6 mm ² |
| Wire connection cross section, stranded, rated connection, max. | 35 mm ² | Wire connection cross section, stranded, rated connection, min. | 10 mm ² |
| Wire connection cross-section, finely stranded with wire-end ferrules and plastic collars DIN 46228/4, rated connection, max. | 25 mm ² | Stripping length | 18 mm |

Rated data to IEC

| | | | |
|---------------------------------|--------------------|--------------------|-------|
| Current at maximum wires | 125 A | Pollution severity | 3 |
| Rated cross-section | 25 mm ² | Rated current | 101 A |
| Rated impulse withstand voltage | 6 kV | Rated voltage | 690 V |
| Standards | IEC 60947-7-1 | | |

Technical data

| | | | |
|--|----------------------|--|--------------------|
| Blade size | 1.2 x 6.5 mm | Clamping range, rated connection, max. | 35 mm ² |
| Clamping range, rated connection, min. | 5.26 mm ² | Clamping screw | M 6 |
| Gauge to IEC 60947-1 | B8 | Number of connections | 2 |
| Stripping length, rated connection | 18 mm | Tightening torque, max. | 4.5 Nm |
| Tightening torque, min. | 4 Nm | | |

**OMNIMATE Power - series WGK
WGKV 25/Z gn/ye**

Weidmüller Interface GmbH & Co. KG
Klingenbergstraße 16
D-32758 Detmold
Germany
Fon: +49 5231 14-0
Fax: +49 5231 14-292083
www.weidmueller.com

Technical data

Technical specification

| | | | |
|-------------------------------|---|----------------------|-----------------------------|
| Colour of insulating material | green / yellow | Connection direction | Bottom |
| Installation advice | Direct mounting, Feed-through (bushing) | Product family | OMNIMATE Power - series WGK |
| Type of mounting | Direct mounting | | |

CSA ratings data

| | | | |
|-------------------------------|----------------|-------------------------------|-------|
| Certificate No. (CSA) | 200039-1830694 | Wire cross section max. (CSA) | 3 AWG |
| Wire cross section min. (CSA) | 8 AWG | | |

UL ratings data

| | | | |
|--|-----------------|--|-------|
| Certificate No. (cURus) | E60693VOL1SEC84 | Conductor size Factory wiring max. (cURus) | 3 AWG |
| Conductor size Factory wiring min. (cURus) | 10 AWG | Conductor size Field wiring max. (cURus) | 3 AWG |
| Conductor size Field wiring min. (cURus) | 10 AWG | | |

Material data

| | | | |
|---------------------------|-------|--------|---------------|
| Material | Wemid | Colour | Green, Yellow |
| UL 94 flammability rating | V-0 | | |

Classifications

| | | | |
|------------|-------------|------------|-------------|
| ETIM 3.0 | EC001283 | UNSPSC | 30-21-18-11 |
| eClass 5.1 | 27-14-11-34 | eClass 6.2 | 27-14-11-34 |
| eClass 7.1 | 27-14-11-34 | | |

Notes

Notes

Approvals

Approvals



ROHS Conform

**OMNIMATE Power - series WGK
WGKV 25/Z gn/ye**

Weidmüller Interface GmbH & Co. KG
Klingenbergstraße 16
D-32758 Detmold
Germany
Fon: +49 5231 14-0
Fax: +49 5231 14-292083
www.weidmueller.com

Drawings