

High Side High Voltage Load Disconnect Switch Controller IC

Description

The PI2061 is a high-speed electronic circuit breaker controller IC designed for use with N-channel MOSFETs in high side load disconnect switch solutions for medium voltage applications. The PI2061 *Cool-Switch®* controller enables an extremely low power loss solution with fast dynamic response to an over current fault or EN Low conditions.

Once enabled, the PI2061 monitors the MOSFET current through a sense resistor. If an over current level is sensed, the switch is quickly latched off to prevent the power source from being overloaded. Bringing the EN pin low will reset the over current latch allowing retry. To avoid false tripping by the in-rush current, the over current level is approximately doubled during start up, until SN approaches about 0.8V below VC. The PI2061 has an internal charge pump to drive the gate of a high side N-Channel MOSFET above the VC input. There is an internal shunt regulator that regulates the VC input with respect to the SGND pin for applications higher than 11 volts.

Features

- Programmable latching over-current detection
- Fast 120ns disconnect response to a load short
- Fast disable via EN pin, typically 200ns.
- 4A gate discharge current
- Internal charge pump
- Fault status indication

Applications

- Telecom System, ≤80V operation & 100V/100ms Transient
- N+1 Redundant Power Systems
- Servers & High End Computing
- High Side Circuit Breaker and Load Disconnect

Package Information

The PI2061 is offered in the following package:

- 10 Lead 3mm x 3mm DFN package

Table of Contents:

▪ Pin Description	2	▪ Application Information	9
▪ Electrical Specifications	3	▪ 12V Typical Application Example	12
▪ Functional Description	5	▪ 48V Typical application Example	13
▪ Block Diagram	6	▪ Layout Recommendation	14
▪ State Diagram	7	▪ Package Drawings	15
▪ Typical Characteristics Plots	8	▪ Ordering Information	15

Typical Application:

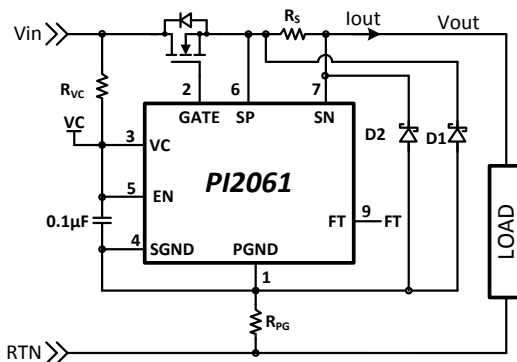


Figure 1: PI2061 in High Side Disconnect switch application

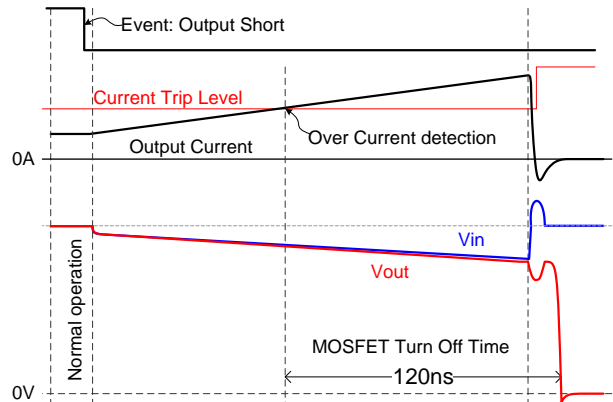
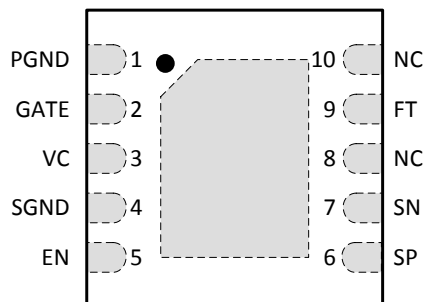


Figure 2: PI2061 response time to output short fault condition

Pin Description

Pin Name	Pin Number	Description
PGND	1	Gate Driver Switch Return: This pin is the high current return path for the gate driver turn off switch. Connect this pin to the low side of VC bypass capacitor and SGND.
GATE	2	Gate Drive Output: This pin drives the gate of the external N-channel MOSFET. Under normal operating conditions, the GATE pin pulls high to approximately $2 \cdot VC$ with respect to SGND pin. The controller turns the GATE off during an over-current fault that is above the overcurrent voltage threshold (166mV during power up and 70mV in steady state).
VC	3	Controller Input Supply: This pin is the supply pin for the control circuitry and gate driver. Connect a $0.1\mu\text{F}$ capacitor between the VC pin and the SGND pin. Voltage on this pin is regulated to 11.7V with respect to SGND by an internal shunt regulator. Connect a bias resistor (R_{VC}) between the VC pin and the supply input as shown in Figure 1 .
SGND	4	VC Return: This pin is the return (ground) for the control circuitry. Connect this pin to the low side of the VC bypass capacitor and high side of the R_{PG} resistor as shown in Figure 1 .
EN	5	Enable: Pull this pin low with $8\mu\text{A}$ or more to disable the gate driver and reset the latch. Tie this pin to VC if the Enable/disable feature is not used.
SP	6	Positive Sense Input & Clamp: Connect SP pin to the positive side of the sense resistor. The magnitude of the voltage difference between SP and SN provides an indication of the current through the sense resistor.
SN	7	Negative Sense Input & Clamp: Connect SN pin to the negative side of the sense resistor. The magnitude of the voltage difference between SP and SN provides an indication of the load current through the sense resistor.
NC	8, 10	No Connect: Leave pins unconnected
FT	9	Fault Status Output: This open collector pin transitions to high resistance to indicate a fault. When the controller input voltage is in under voltage, $VC - SGND < 7V$ this pin is high resistance as well. When the part is in a normal operating condition and gate driver is enabled this pin is low resistance.

Package Pin-Outs



10 Lead DFN (3mm x 3mm)

Top view

Absolute Maximum Ratings

Note: All voltage nodes are referenced to SGND

VC	-0.3V to 17.3V / 40mA
SP, SN, FT, EN	-0.3V to 17.3V / 10mA
GATE	-0.3V to 24V / 5A peak
PGND	-0.3V to 3V / 5A peak
SGND	40mA
Storage Temperature	-65°C to 150°C
Operating Junction Temperature	-40°C to 140°C
Soldering Temperature for 20 seconds	260°C
ESD Rating	2kV HBM

Electrical Specifications

Unless otherwise specified: $-40^{\circ}\text{C} < T_J < 125^{\circ}\text{C}$, $V_C = EN = 10.5\text{V}$, $C_{V_C} = 0.1\mu\text{F}$, $C_{GATE_PGND} = 1\text{nF}$, $SGND = PGND$

Parameter	Symbol	Min	Typ	Max	Units	Conditions
VC Supply						
Operating Supply Range	$V_{VC-SGND}$	8.5		10.5	V	No VC limiting Resistor
Quiescent Current	I_{VC}		1.7	2.1	mA	$V_C = 10.5\text{V}$, $SP = SN = VC$
Quiescent Current Start Up	I_{VCSU}	2.0	2.5	3.0	mA	$V_C = 8.5\text{V}$, $SP = SN = SGND$
VC Clamp Voltage	V_{VC-CLM}	11	11.7	12.5	V	$I_{VC} = 3\text{mA}$
VC Clamp Series Resistance	R_{VC}			10	Ω	Delta $I_{VC} = 10\text{mA}$
VC Under-Voltage Rising Threshold	V_{VCUR}	6.2	7.32	8.5	V	
VC Under-Voltage Falling Threshold	V_{VCUF}	6	7.00	7.9	V	
VC Under-Voltage Hysteresis	V_{VCU-HS}	240	320	400	mV	
DIFFERENTIAL AMPLIFIER AND COMPARATORS						
Common Mode Input Voltage	V_{CM}	V_{SGND}		$V_{VC} + 0.3$	V	
Differential Operating Input Voltage ⁽¹⁾	V_{SP-SN}			250	mV	$SP = SN$
SP Input Bias Current	I_{SP}	15	25	35	μA	$SP = SN = VC$
SN Input Bias Current	I_{SN}	25	37	50	μA	$SP = SN = VC$
D_{BST} Forward Voltage	V_{DBST}		0.87	1.0	V	$I_{SN} = 3\text{mA}$
Low Range Overcurrent Threshold	V_{OC-THL}	63	70	77	mV	$VC - SN = 0\text{V}$
Low Range Overcurrent Turn-off Time	T_{OC-OFF}		120	200	ns	$V_{SP-SN} = 0\text{V}$ to 200mV step to 90% of VG max, $SN = VC$
High Range Overcurrent Threshold	V_{OC-THH}	133	166	200	mV	$VC - SN = 6\text{V}$
Overcurrent Hysteresis ⁽¹⁾	V_{OC-HY}	9	13	17	mV	

Electrical Specifications

Unless otherwise specified: $-40^{\circ}\text{C} < T_J < 125^{\circ}\text{C}$, $V_C = \text{EN} = 10.5\text{V}$, $C_{V_C} = 0.1\mu\text{F}$, $C_{\text{GATE_PGND}} = 1\text{nF}$, $\text{SGND} = \text{PGND}$

Parameter	Symbol	Min	Typ	Max	Units	Conditions
DIFFERENTIAL AMPLIFIER AND COMPARATORS (continued)						
Over Current Range switch over Threshold	V_{SOTH}	0.5	0.8	1	V	VC-SN
Over Current Range switch over delay ⁽¹⁾ : Low to high threshold	T_{SOL2H}	100	170	300	ns	VC-SN= -0.7V~1.7V
Over Current Range switch over delay ⁽¹⁾ : High to low threshold	T_{SOH2L}	80	125	190	ns	SN-VC= -1.7V~0.7V
GATE DRIVER						
Gate Source Current	$I_{\text{G-SC}}$		-15	-10	μA	$V_G = V_{\text{G-HI}} - 1$, $I_{\text{VC}} = 3\text{mA}$
Pull Down Peak Current to PGND ⁽¹⁾	$I_{\text{G-PD}}$	1.5	4.0		A	
Pull-down Gate Resistance to PGND ⁽¹⁾	$R_{\text{G-PD}}$		0.3		Ω	$V_G = 1.5\text{V}$ @ 25°C
AC Gate Pull-down Voltage to PGND ⁽¹⁾	$V_{\text{G-PGND}}$			0.2	V	
DC Gate Pull-down Voltage	$V_{\text{G-SGND}}$		0.8	1.2	V	$I_G = 100\text{mA}$, in OC Fault
Gate Drive Voltage to VC	$V_{\text{G-HI}}$	7.0	8.0	11	V	$I_G = 10\mu\text{A}$, $I_{\text{VC}} = 3\text{mA}$
		8.0	9.0	11	V	$I_G = 2\mu\text{A}$, $I_{\text{VC}} = 3\text{mA}$
Gate Fall Time	$t_{\text{G-F}}$		10	25	ns	90% to 10% of V_G max.
Gate Voltage @ VC=4.5V	$V_{\text{G-UVLO}}$		0.7	1	V	$I_G = 10\mu\text{A}$, SP= SN=open
Enable (EN)						
EN Threshold Voltage to VC pin	$V_{\text{VC_EN}}$	0.70	1.35	1.80	V	
Disable pull down current	I_{dis}	8	15	22	μA	
Fault Status: FT						
FT Output Low Voltage	V_{FT}		0.2	0.5	V	$I_{\text{FT}} = 200\mu\text{A}$, $V_C > 8.5\text{V}$
FT Output High Leakage Current	I_{FT}			10	μA	$V_{\text{FT}} = 14\text{V}$
FT Delay time	$T_{\text{FT-DLY}}$	2.5	5.5	12	μs	$V_{\text{SP-SN}} = 0 \sim 200\text{mV}$ step to 10% of V_{FT} max, SN=VC

Note 1: These parameters are not production tested but are guaranteed by design, characterization, and correlation with statistical process control.

Note 2: Current sourced by a pin is reported with a negative sign.

Functional Description:

The PI2061 Cool-Switch is designed to drive an N-channel MOSFET in a high side Circuit Breaker application. As shown in [Figure 1](#), the load current is sensed through the sense resistor (R_s). At power up the controller has a higher threshold voltage compared to steady state operation to allow capacitive load charging without nuisance tripping of the breaker.

Differential Amplifier:

The PI2061 integrates a high-speed fixed offset voltage differential amplifier to sense the difference between the Sense Positive (SP) pin and Sense Negative (SN) pin voltage with high accuracy. The amplifier output is connected to the control logic that determines the state of the fault latch. To avoid tripping the breaker due to load capacitance during initial power up a higher threshold is used. The amplifier will detect if the drop across the sense resistor reaches 166mV and discharge the gate of the MOSFET if detected. Once the load voltage approaches the input potential the threshold is lowered to 70mV. This allows for capacitive load charging and continuous current sensing without the use of a fixed sense blanking timer where excessive currents may develop glitching the input bus prior to breaking.

VC Voltage Regulator and MOSFET Drive:

The biasing scheme in the PI2061 uniquely enables the gate control relative to SGND and PGND pins via the resistor R_{PG} shown in [Figure 1](#). The VC input provides power to the control circuitry, the charge pump and the gate driver. An internal regulator clamps the VC voltage to 11.7V with respect to SGND.

The VC pin is connected through an external resistor to the input power source and drain of the MOSFET. VC switches over to the load potential once the gate drive is enabled and over current condition is not present.

The internal regulator circuit has a comparator to monitor VC voltage and pulls the gate low when VC to SGND is lower than the VC Under-Voltage Threshold. As shown in [Figure 1](#) the lower bias resistor, R_{PG} is placed between the SGND connection and the system ground.

Gate Driver:

The PI2061 has an integrated charge pump that approximately doubles the regulated VC with respect to SGND enhancing the N-Channel MOSFET gate to source voltage.

The internal gate driver controls the N-channel MOSFET such that in the on state, the gate driver applies current to the MOSFET gate driving it to bring the load up to the input voltage and into the $R_{DS(on)}$ condition.

When an over current condition is sensed the gate driver pulls the gate low to PGND and discharges the MOSFET gate with 4A peak capability. A Schottky diode (D1 in [Figure 1](#)) from PGND to the MOSFET source is required to direct the Gate high discharge current into the Source.

The PI2061 applies high gate discharge current for fast MOSFET turn off when a fault condition occurs to prevent system disruption. Fast MOSFET turn off may produce high voltage ringing due to parasitic inductance. To prevent negative peaks at SN from injecting substrate current, Schottky diode D2 (from SGND/PGND to SN pin as shown in [Figure 1](#)) is required.

Enable Input: (EN)

This input provides control of the switch state enabling and disabling with low current level signals. The active high feature allows pulling/sinking a low current from this input to disable the breaker. System control can disable the switch and reset the over current latch by pulling this pin to a logic low state.

Once enabled, the Gate pin will charge the MOSFET gate to turn the load on. The load voltage will rise, reach the input voltage and the device will sense the current continuously once the POR interval has cleared relative to the VC to SGND potential. The disable control with this input is very fast, turning the switch off in typically 200ns. The response to open during an over current event is typically 120ns and the switch will latch off until reset by bringing this input low or recycling of the input power.

Fault Status: (FT)

This open collector pin transitions to high resistance after the Fault Status is delayed for 5 μ s when an over-current fault or disable signal occurs. When the controller input voltage is in under voltage, (VC - SGND < 7V) this pin is high resistance as well. When the part is in a normal operating condition and gate driver is enabled this pin is low resistance. In high voltage applications this output must be translated to the system return with external circuitry. Leave this pin open if unused.

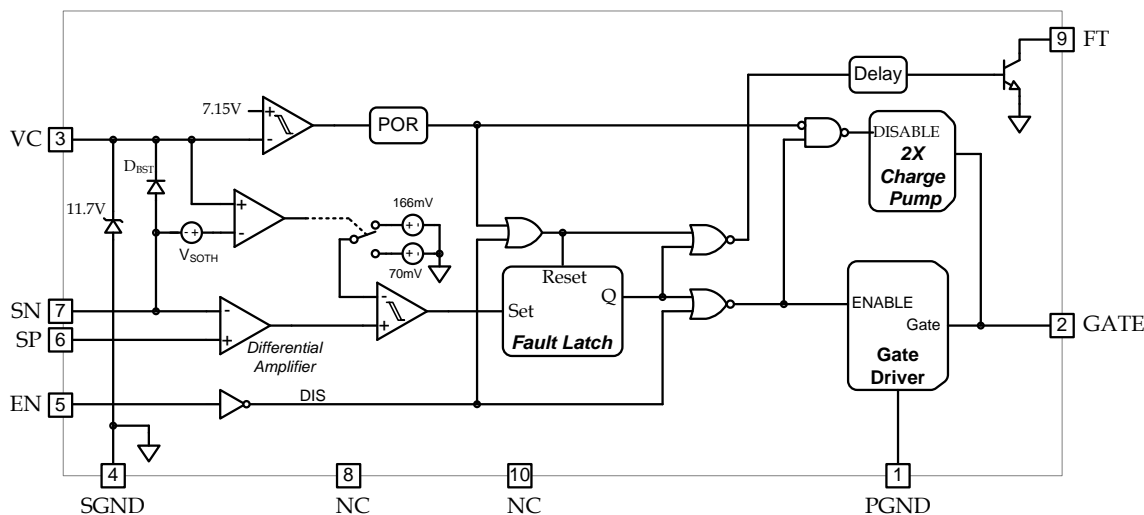


Figure 3: PI2061 Block Diagram

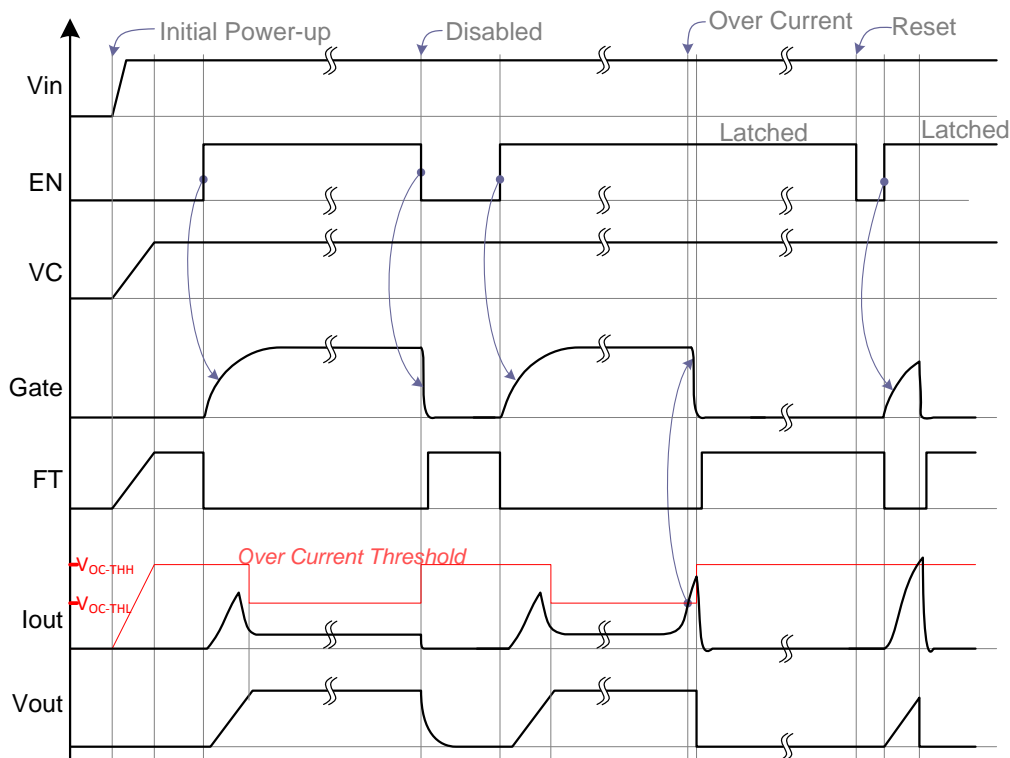


Figure 4: PI2061 Timing Diagram, referenced to Figure 1.

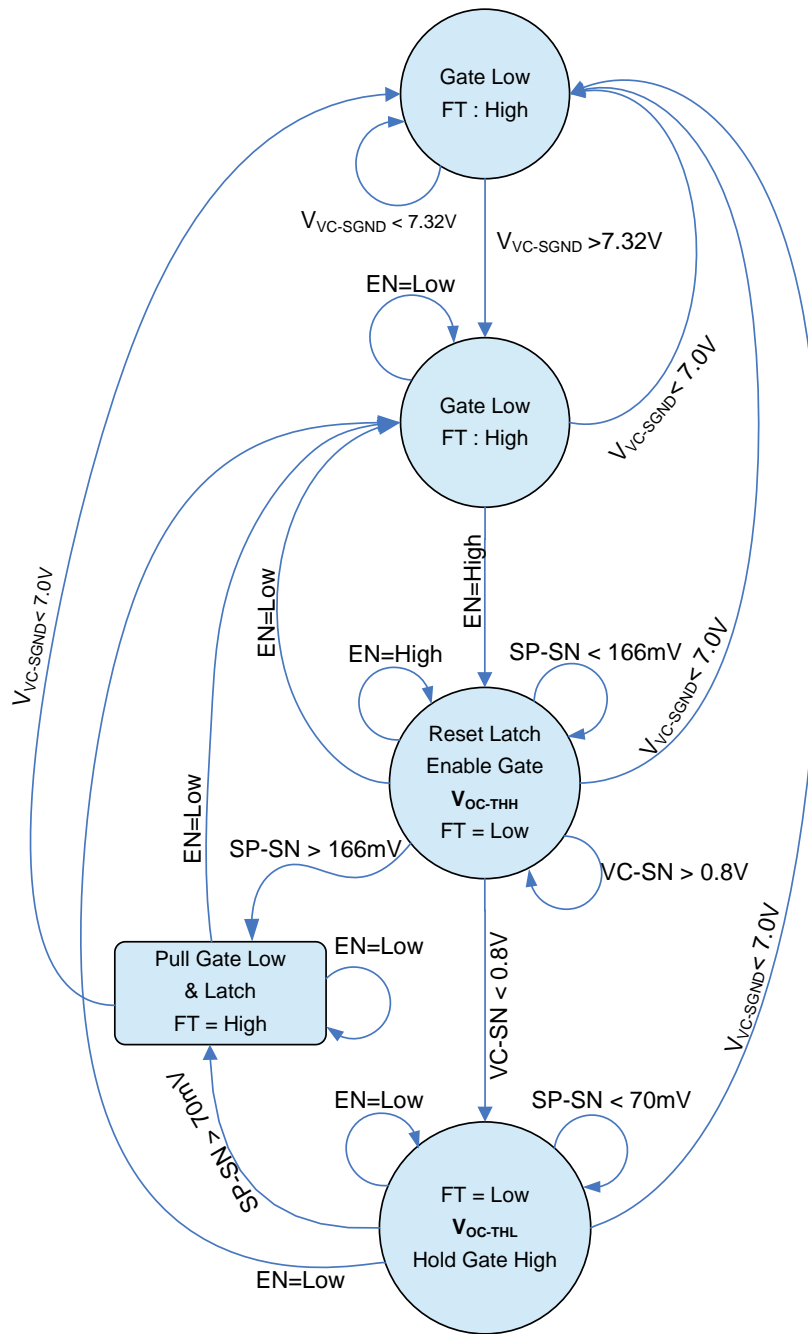


Figure 5: PI2061 State Diagram

Typical Characteristics:

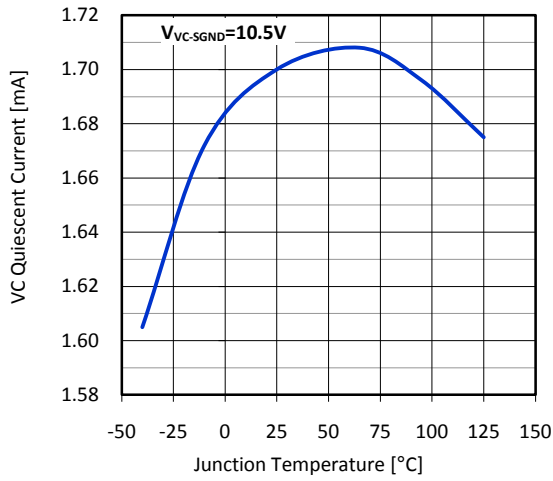


Figure 6: Controller quiescent current vs. temperature.

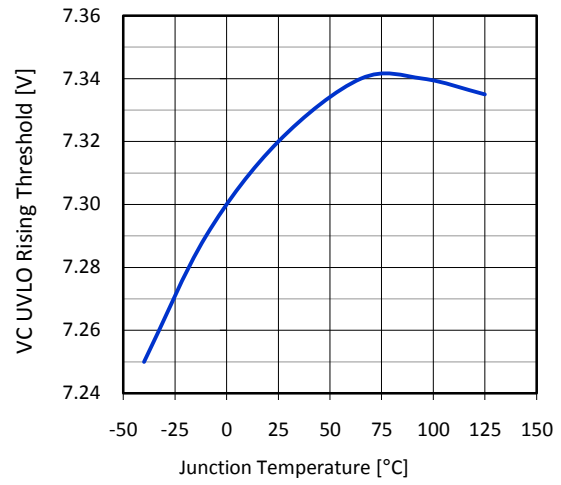


Figure 7: VC Under-Voltage Rising threshold vs. temperature

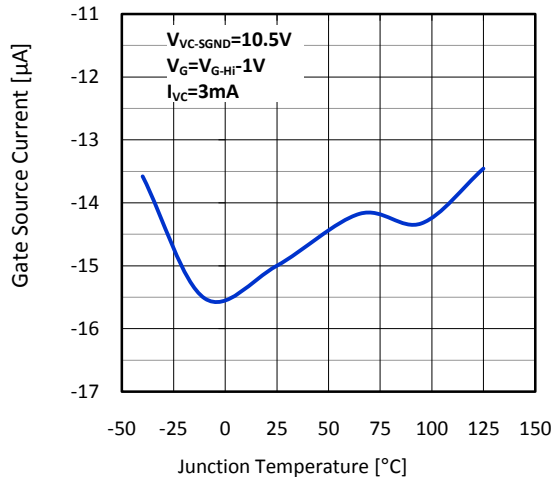


Figure 8: Gate source current vs. temperature

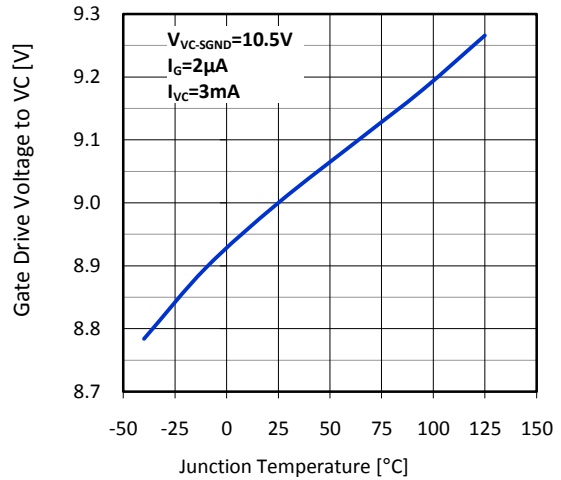


Figure 9: Gate drive voltage to VC vs. temperature.

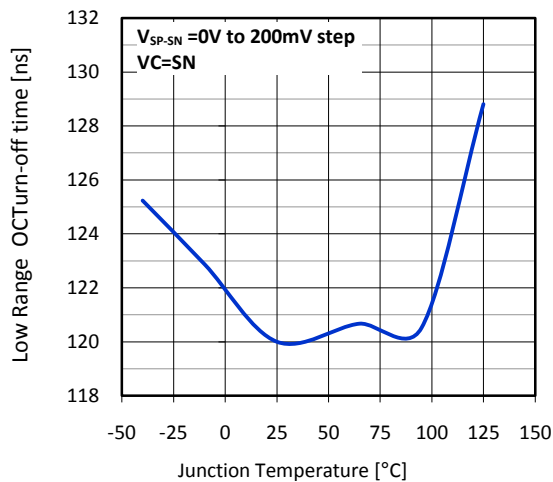


Figure 10: Low Range Overcurrent Turn-off time vs. temperature.

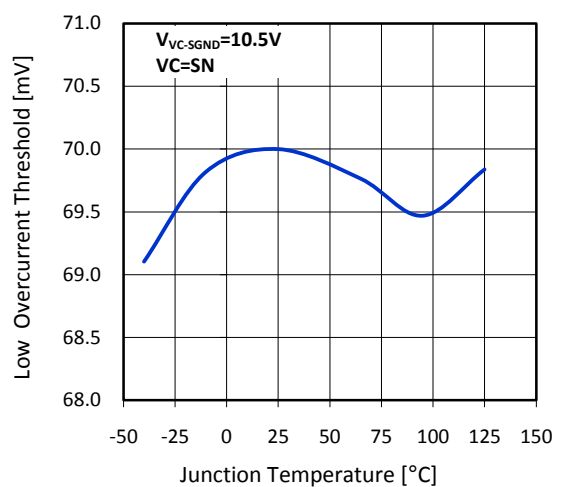


Figure 11: Low Range Overcurrent Threshold vs. temperature.

Application Information

The PI2061 *Cool-Switch* is a wide input voltage high side load disconnect switch.

This section describes in detail the procedure to follow when designing with the PI2061 load disconnect switch.

Biasing sequence Functionality

When V_{in} is applied and the load is at zero volts, the VC capacitor will charge via current flowing through R_{VC} , D1, load resistance and R_{PG} . If the load resistance is much lower than R_{PG} , most of the charge and bias current flows through the load.

As VC to SGND voltage rises above the Under-Voltage Rising Threshold (V_{VCUR}) while the EN pin is High, the controller will charge the MOSFET gate and monitor the voltage across the sense resistor (V_{SP-SN}). As the MOSFET turns on, the load voltage (V_{out}) will rise until the MOSFET is in $R_{DS(on)}$ and $V_{load}=V_{in}$. If the voltage across the sense resistor (V_{SP-SN}) is higher than the High Range Overcurrent Threshold ($V_{OC-THH} \cong 166mV$) while the load rises, the gate will be discharged to PGND and latch off; otherwise V_{out} will keep rising, D1 becomes reverse biased and the controller bias current returns to ground through R_{PG} .

When V_{out} reaches the Over Current Range switch over threshold, the over current threshold switches to the Low Range Over Current threshold ($V_{OC-THL} \cong 70mV$). VC will be biased from V_{out} through the SN pin when V_{out} is a diode drop (D_{BST}) above VC as the load reaches V_{in} .

Upper and lower bias resistors should be selected to keep PI2061 bias voltage in regulation.

Upper Side Bias Resistor selection: R_{VC}

R_{VC} is placed between V_{in} and VC to limit the current into the clamp under a shorted load condition. This will allow VC to regulate with respect to SGND/PDND node when the MOSFET is in off condition and SGND/PGND node is pulled low via D1, R_s and low load resistance.

The R_{VC} resistor can be calculated using the following expression:

$$\frac{V_{in} - V_{VC}}{R_{VC}} = I_{VC}$$

And R_{VC} maximum power dissipation is:

$$P_{diss} = I_{VC}^2 R_{VC}$$

Where:

- : V_{in} minimum voltage (V_{in} to R_{tn})
- : V_{in} maximum voltage (V_{in} to R_{tn})
- : VC maximum clamp voltage, 12.5V
- : VC minimum clamp voltage, 11V
- : VC maximum quiescent current at startup, use 3.0mA
- : D1 voltage drop, use 0.3V
- : 0.1mA is added for margin

Lower Side Bias Resistor selection: R_{PG}

R_{PG} is placed between SGND/PGND and return to limit the clamp current and allow VC regulation when the MOSFET is in the on condition.

The R_{PG} resistor can be calculated using the following expression:

$$R_{PG} = \frac{V_{in} - V_{VC}}{I_{PG}}$$

And R_{VC} maximum power dissipation is:

$$P_{diss} = I_{PG}^2 R_{PG}$$

Where:

- : Boot Strap diode minimum forward voltage, use 0.8V
- : Boot Strap diode minimum forward voltage, use 1.0V
- : VC maximum quiescent current, use 2.1mA

R_{VC} and R_{PG} calculation example

V_{in} (minimum) = 40V and V_{in} (maximum) = 50V

$$R_{VC} = \frac{50V - 11V}{3.0mA} = 12.3k\Omega$$

Note that in the case of a light load while the PI2061 is disabled, a voltage will appear at V_{out} due to the resistance between the VC pin and the SP and SN pins. The approximate value will be:

$$V_{out} \approx V_{VC} \frac{R_{SP-SN}}{R_{SP-SN} + R_{D1}}$$

Where:

- : Output load resistance when the load is inactive

Schottky Diodes Selection: D1 and D2

Diode D1 (See [Figure 1](#) & [Figure 14](#).) must be a low reverse leakage Schottky diode capable of supporting 4A of peak gate discharge current for 10ns. Diode D2 must be a low reverse leakage Schottky diode capable of supporting 1A peak. Both diodes will have a reverse voltage of 13V during normal operation.

Recommended diode for D1 and D2: **PMEG4005EJ** from NXP

Sense Resistor Selection: R_s

In typical load switch application the sense resistor is based on minimum trip current to allow maximum normal load current without interruption. Calculate R_s value at minimum Low Range Overcurrent Threshold voltage (V_{OC-THL}):

Where:

V_{OC-THL} : Minimum Low Range Overcurrent Threshold voltage, 63mV

I_{TRIP} : Required minimum trip current

Enable Input Circuit: EN

EN pin can be tied directly to VC OR LEFT FLOATING if PI2061 should be enabled when the power is applied. If the user wants to control the device enable function, then EN pin can be pulled low with a resistor and signal FET, signal transistor or open collector logic as shown in [Figure 12](#). Note that the enable control signal phase must be inverted.

Use an enable resistor (R_{EN}) value between 300k Ω and 400k Ω with voltage rating that meets maximum input voltage.

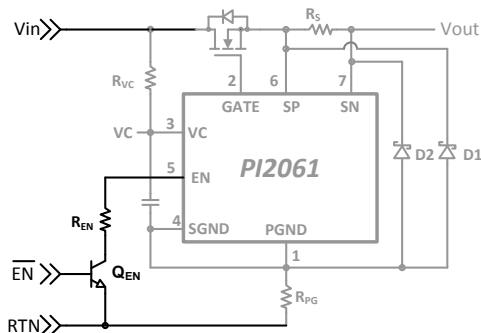


Figure 12: Enable circuit

Fault Indication: FT

FT is an open collector output and its return is referenced to SGND. When the SGND pin is floating on a bias resistor (R_{PG}) or in a constant current circuit, a level shift circuit can be added to create an output referenced to the system ground. See [Figure 13](#).

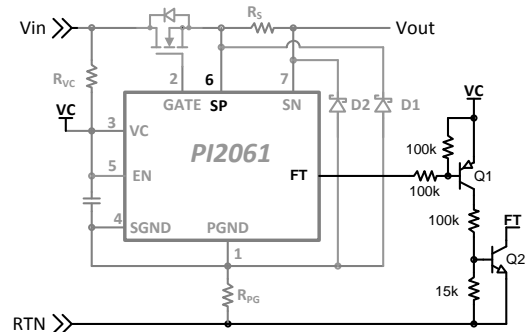


Figure 13: FT level shift circuit

Alternative Bias Circuit: Constant current circuit for high voltage application.

In a wide operating input voltage range the size of R_{VC} and R_{PG} may become large to support power dissipation. A simple constant current circuit, shown in [Figure 14](#) can be used instead of R_{VC} and R_{PG} to allow the circuit to operate between 18V and 80V (100V/100ms transient) with low power dissipation components. Please refer to Picor application notes for more details on how to design a floating bias with the constant current circuit.

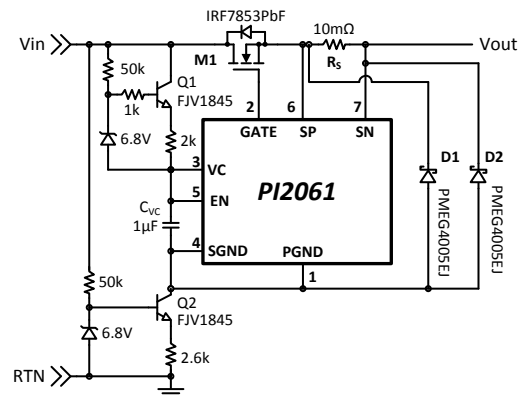


Figure 14: Constant current bias circuit

N-Channel MOSFET Selection:

Several factors affect MOSFET selection including cost and following ratings; on-state resistance ($R_{DS(on)}$), DC current, short pulse current, avalanche, power dissipation, thermal conductivity, drain-to-source breakdown voltage (BV_{DSS}), gate-to-source voltage (V_{GS}), and gate threshold voltage ($V_{GS(TH)}$).

The first step is to select a suitable MOSFET based on the BV_{DSS} requirement for the application. The BV_{DSS} voltage rating should be higher than the applied V_{in} voltage plus expected transient voltages. Stray parasitic inductance in the circuit can also contribute to significant transient voltage condition, particularly during MOSFET turn-off after an over current fault has been detected.

In a disconnect switch application when the output is shorted, a large current is sourced from the power source through the MOSFET. Depending on the input impedance of the system, the current may get very high before the MOSFET is turned off. Make sure that the MOSFET pulse current capability can withstand the peak current. Also, such high current conditions will store energy even in a small parasitic inductance. The PI2061 has a very fast response time to terminate a fault condition achieving 120ns typical and 200ns maximum. This fast response time will minimize the peak current to keep stored energy and MOSFET avalanche energy very low to avoid damage (electrical stress) to the MOSFET.

Peak current during output short is calculated as follows, assuming that the input power source has very low impedance and it is not a limiting factor:

Where:

- : Peak current in the MOSFET right before it is turned off.
- : Input voltage at MOSFET drain before output short condition occurred.
- : Over current turn-off time. This will include PI2061 delay and the MOSFET turn off time.
- : Circuit parasitic inductance

The MOSFET avalanche energy during an input short is calculated as follows:

Where:

- : Avalanche energy
- : MOSFET breakdown voltage

MOSFET $R_{DS(on)}$ and maximum steady state power dissipation are closely related. Generally the lower the MOSFET $R_{DS(on)}$, the higher the current capability and the lower the resultant power dissipation for a given current. This leads to reduced thermal management overhead, but will ultimately be higher cost compared to higher $R_{DS(on)}$ parts. It is important to understand the primary design goal objectives for the application in order to effectively trade off the performance of one MOSFET versus another.

Power dissipation in load switch circuits is derived from the total drain current and the on-state resistance of the selected MOSFET.

MOSFET power dissipation:

Where :

- : MOSFET Drain Current
- : MOSFET on-state resistance

Note:

In the calculation use $R_{DS(on)}$ at maximum MOSFET temperature because $R_{DS(on)}$ is temperature dependent. Refer to the normalized $R_{DS(on)}$ curves in the MOSFET manufacturer's datasheet. Some MOSFET $R_{DS(on)}$ values may increase by 50% at 125°C compared to values at 25°C.

The Junction Temperature rise is a function of power dissipation and thermal resistance.

Where:

- : MOSFET Junction-to-Ambient thermal resistance

Typical Application Example 1:

12V Load Switch

Requirement:

Input Bus Voltage = 12V ($\pm 10\%$, 10.8V to 13.2V)

Maximum Load Current = 10A

Minimum Trip current = 12A

Maximum Ambient Temperature = 75°C

Solution:

PI2061 with a suitable external MOSFET should be used, configured as shown in the circuit schematic in .

Select a suitable N-Channel MOSFET: Most industry standard MOSFETs have a V_{GS} rating of $\pm 12V$ or higher. Select an N-Channel MOSFET with a low $R_{DS(on)}$ which is capable of supporting the full load current with some margin, so a MOSFET capable of at least 18A in steady state is reasonable. An exemplary MOSFET having these characteristic is the **Si4630DY** from Siliconix.

From **Si4630DY** datasheet:

- N-Channel MOSFET
- $V_{DS} = 25V$
- $I_D = 32A$ continuous drain current
- $I_D(Pulse) = 70A$ Pulsed drain current
- $V_{GS(MAX)} = \pm 16V$
- $R_{\theta JA} = 80^\circ C/W$ under Steady State condition
- $R_{DS(on)} = 2.2m\Omega$ typical and $2.7m\Omega$ maximum at $I_D = 20A$, $V_{GS} = 10V$, $T_J = 25^\circ C$

Select Sense Resistor:

R_s power dissipation at maximum operating current

Maximum trip current

Power dissipation:

$R_{DS(on)}$ is $2.7m\Omega$ maximum at $25^\circ C$ & $10 V_{GS}$ and will increase as the temperature increases. Add $40^\circ C$ to maximum ambient temperature to compensate for the temperature rise due to power dissipation. At $115^\circ C$ ($75^\circ C + 40^\circ C$) $R_{DS(on)}$ will increase by 37%.

maximum at $115^\circ C$

Maximum Junction temperature

VC Bias: V_{in} maximum input is 13.2V, this is higher than the 11V VC minimum Clamp Voltage ($V_{VC-SGND}$) minimum, but the minimum input voltage is greater than $V_{VC-SGND}$ minimum. Use 300Ω resistor for each R_{VC} and R_{PG} to minimize regulator clamp current.

Power dissipation of R_{VC} and R_{PG} :

Both resistors have very low power dissipation, less than 50mW. Any package size resistor, 0201 (0603 metric) or larger, can be used.

EN:

Tie EN pin to VC since Enable function is always on.

FT:

Fault function is not required, leave fault pin unconnected.

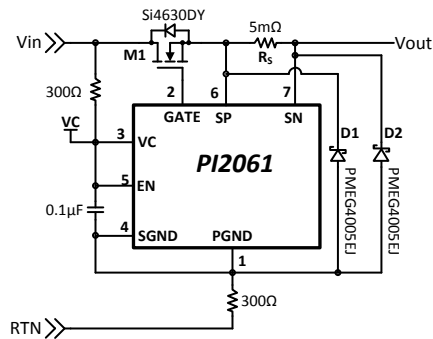


Figure 15: PI2061 in 12V Bus high side load switch application.

Not Recommended for New Designs



Typical application Example 2:

Requirement:

+48V Load Switch with Enable Function
Bus Voltage = +48V (+36V to +55V)
Maximum Load Current = 5A
Minimum Trip current = 6A
Maximum Ambient Temperature = 60°C

Solution:

PI2061 with a suitable MOSFET should be used and configured as shown in [Figure 16](#).

Select a suitable N-Channel MOSFET: Select a MOSFET with voltage rating higher than the input voltage, V_{in} , plus any expected transient voltages, with a low $R_{DS(on)}$ that is capable of supporting the full load current with margin. For instance, a 100V rated MOSFET with 10A current capability is suitable. An exemplary MOSFET having these characteristic is **IRF7853PbF** from International Rectifier.

From the **IRF7853PbF** datasheet:

N-Channel MOSFET
 $V_{DS} = 100V$
 $I_D = 8.3A$ maximum continuous drain current at 25°C
 $I_{D-PULSE} = 66A$ pulsed drain current
 $V_{GS(MAX)} = \pm 20V$
 $R_{\theta JA} = 50^\circ C/W$ on 1in² copper, $t \leq 10$ seconds
 $R_{\theta JA}$ for continuous operation not provided
 $R_{DS(on)} = 14.4m\Omega$ typical at $V_{GS} = 10V$, $T_J = 25^\circ C$
 $R_{DS(on)} = 18m\Omega$ maximum at $V_{GS} = 10V$, $T_J = 25^\circ C$

Select Sense Resistor:

R_s power dissipation at maximum operating current

Maximum trip current

Power dissipation:

$R_{DS(on)}$ is 18m Ω maximum at 25°C & 10 V_{GS} and will increase as the temperature increases. Add 20°C to maximum ambient temperature to compensate for the temperature rise due to power dissipation. At 80°C (60°C + 20°C) $R_{DS(on)}$ will increase by 40%.

_____ at maximum at 80°C

Maximum Junction temperature

Recalculate maximum $R_{DS(on)}$ at 95°C.

At 95°C $R_{DS(on)}$ will increase by 50%:

_____ m Ω at maximum at 95°C

Maximum Junction temperature after 10s

For continuous operation refer the MOSFET datasheet for $R_{\theta JA}$ under continuous operation and use in place of 50°C/W.

VC Bias Resistors:

Select 7.5k Ω resistor

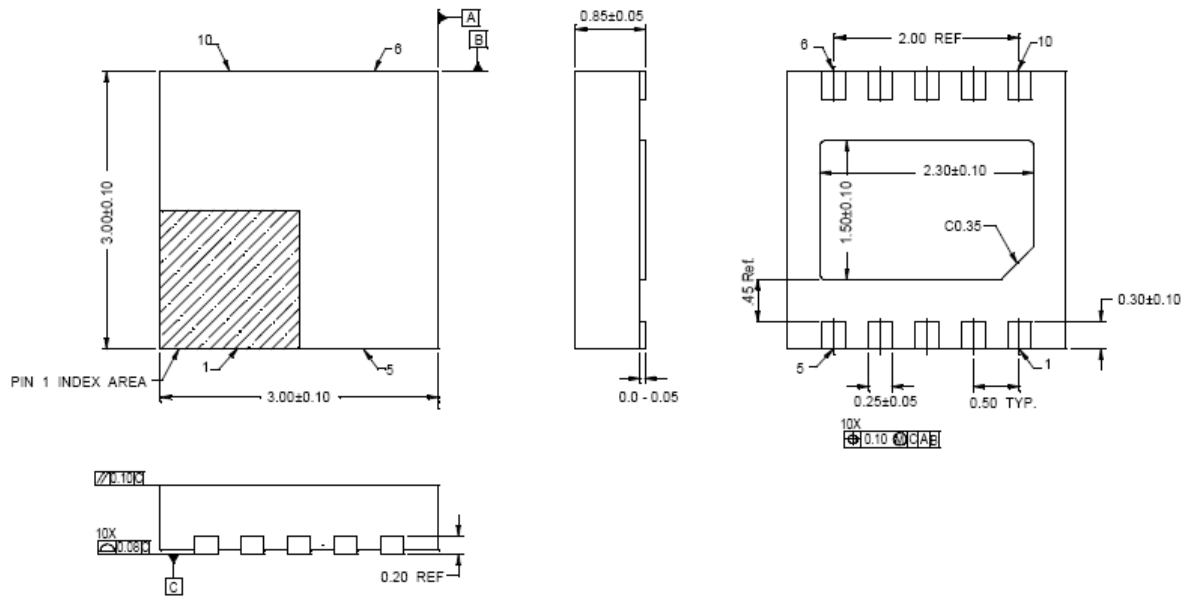
Select 10k Ω resistor

Power dissipation of R_{VC} and R_{PG} :

Recommended Schottky: **PMEG4005EJ** from NXP or equivalent

Package Drawings:

10 Lead DFN



NOTES :

1. All dimensions are in millimeters, angles in degrees.
2. Coplanarity does not exceed .05mm
3. Package is variation of JEDEC MO-229
4. Warpage does not exceed .05mm

Ordering Information

Part Number	Package	Transport Media
PI2061-00-QEIG	3mm x 3mm 10 Lead DFN	T&R

Warranty

Vicor products are guaranteed for two years from date of shipment against defects in material or workmanship when in normal use and service. This warranty does not extend to products subjected to misuse, accident, or improper application or maintenance. Vicor shall not be liable for collateral or consequential damage. This warranty is extended to the original purchaser only.

EXCEPT FOR THE FOREGOING EXPRESS WARRANTY, VICOR MAKES NO WARRANTY, EXPRESS OR LIMITED, INCLUDING, BUT NOT LIMITED TO, THE WARRANTY OF MERCHANTABILITY OR FITNESS FOR A PARTICULAR PURPOSE.

Vicor will repair or replace defective products in accordance with its own best judgment. For service under this warranty, the buyer must contact Vicor to obtain a Return Material Authorization (RMA) number and shipping instructions. Products returned without prior authorization will be returned to the buyer. The buyer will pay all charges incurred in returning the product to the factory. Vicor will pay all reshipment charges if the product was defective within the terms of this warranty.

Information published by Vicor has been carefully checked and is believed to be accurate; however, no responsibility is assumed for inaccuracies. Vicor reserves the right to make changes to any products without further notice to improve reliability, function, or design. Vicor does not assume any liability arising out of the application or use of any product or circuit; neither does it convey any license under its patent rights nor the rights of others. Vicor general policy does not recommend the use of its components in life support applications wherein a failure or malfunction may directly threaten life or injury. Per Vicor Terms and Conditions of Sale, the user of Vicor components in life support applications assumes all risks of such use and indemnifies Vicor against all damages.

Vicor's comprehensive line of power solutions includes high density AC-DC and DC-DC modules and accessory components, fully configurable AC-DC and DC-DC power supplies, and complete custom power systems.

Information furnished by Vicor is believed to be accurate and reliable. However, no responsibility is assumed by Vicor for its use. Vicor components are not designed to be used in applications, such as life support systems, wherein a failure or malfunction could result in injury or death. All sales are subject to Vicor's Terms and Conditions of Sale, which are available upon request.

Specifications are subject to change without notice.

Vicor Corporation
25 Frontage Road
Andover, MA 01810
USA

Picor Corporation
51 Industrial Drive
North Smithfield, RI 02896
USA

Customer Service: custserv@vicorpower.com

Technical Support: apps@vicorpower.com

Tel: 800-735-6200

Fax: 978-475-6715