

1 2 3 4 5 6

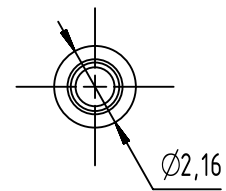
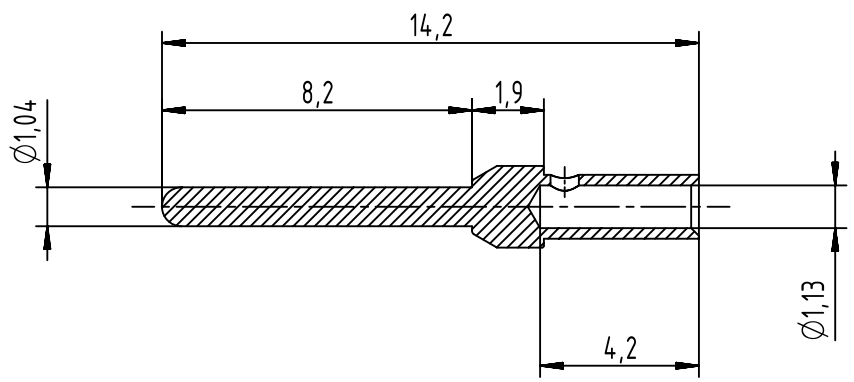
A

B

C

D

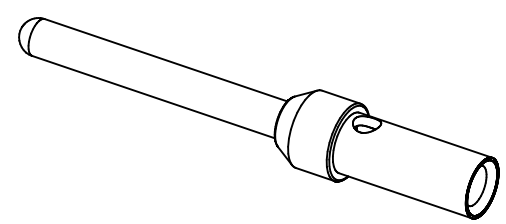
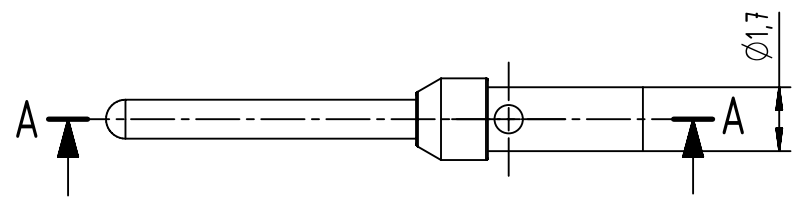
A-A




Crimping of AWG 20-24:

hand tool: 09 99 000 0501

locator: 09 99 000 0531



09 67 000 8576 580	PL1	5000
09 67 000 8576	PL1	100
Part number	Gold plating (over nickel)	Bulk packaging

	All Dimensions in mm Original Size DIN A4		Scale 5:1	Free size tol.		Ref.
	All rights reserved Department EC PD - FR		Created by BOURGEOIS	Inspected by BAGDIKIAN	Standardisation KOHLER	Sub.
HARTING Electronics GmbH D-32339 Espelkamp		Title D-Sub, MA AWG 20-24 crimp cont			Date 2014-06-18	State Final Release
		Type TB	Number 09670008576		Doc-Key / ECM-Nr. 100562538/UGD/001/B 500000076079	Rev. B
						Page 1/1