

DC Brushless Fan Motor Drivers

# Multifunction Single-phase Full-wave Fan Motor Driver

**BD6995FV**

**General Description**

BD6995FV is a 1chip driver for 12V single-phase full-wave fan motor. This IC employs the Bi-CDMOS process and soft switching drive, low power consumption and quiet drive is provided.

**Key Specifications**

- Input Voltage Range: 4.3V to 17V
- Operating Temperature Range: -40°C to +105°C
- Output Voltage (High and Low Total): 0.6V(Typ) at 0.4A
- Output Current: 1.2A(Max)

**Features**

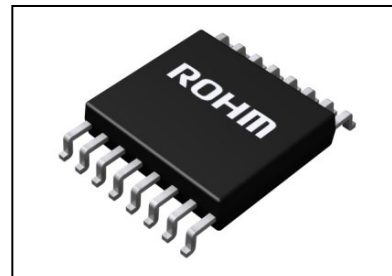
- SSOP Small Package
- PWM Soft switching Drive
- Standby Function
- Speed Controllable by DC Input
- Quick Start
- OSC Select Function (Triangle OSC or Saw OSC)
- Signal Select Function (Rotation Speed Pulse Signal: FG or Lock Alarm Signal: AL)
- Signal Output
- Lock Protection and Automatic Restart (Without External Capacitor)
- Current Limit

**Package**

SSOP-B16

**W(Typ) x D(Typ) x H(Max)**

5.00mm x 6.40mm x 1.35mm

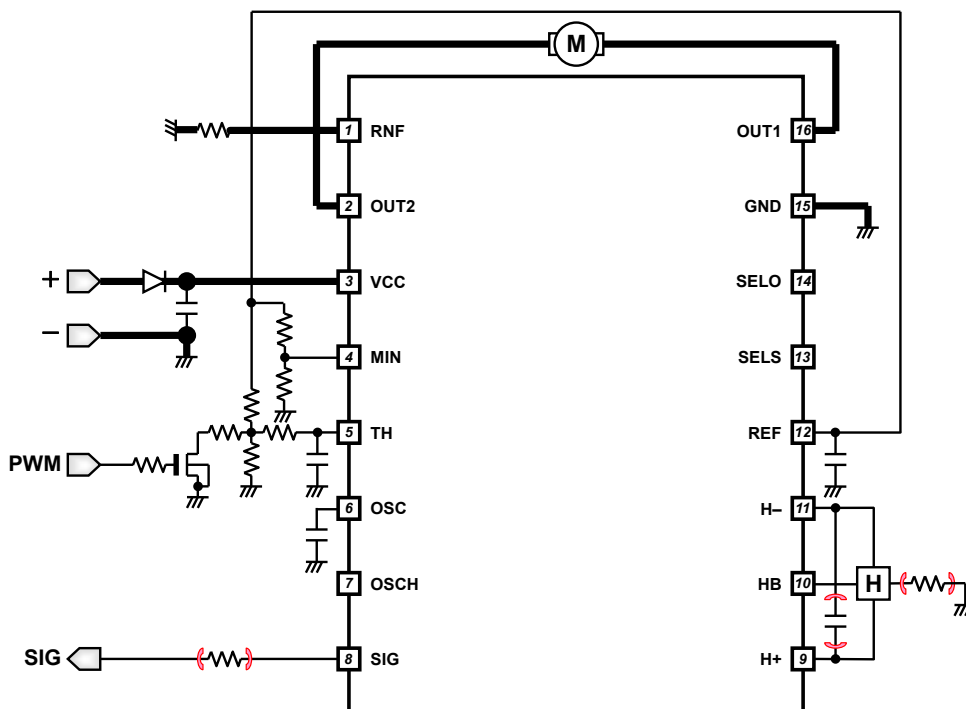


SSOP-B16

**Applications**

- Fan motors for general consumer equipment like Desktop PC, Projector, etc.

**Typical Application Circuit**



○Product structure : Silicon monolithic integrated circuit ○This product has no designed protection against radioactive rays

Pin Configuration

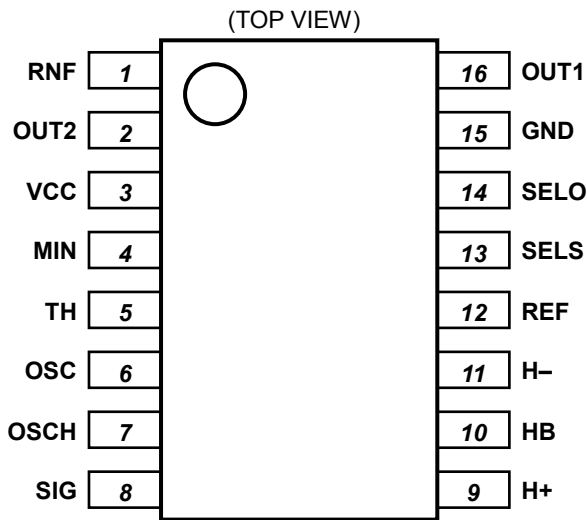


Figure 1. Pin Configuration

Pin Description

P/No.	P/Name	Function
1	RNF	Output current detecting resistor connection terminal (motor ground)
2	OUT2	Motor output 2 terminal
3	VCC	Power supply terminal
4	MIN	Minimum output duty setting terminal
5	TH	Output duty control input terminal
6	OSC	Oscillating capacitor connection terminal
7	OSCH	Resistor connection terminal for capacitor charge (use only for Saw OSC)
8	SIG	Signal output terminal (Rotation speed pulse signal: FG or Lock alarm signal: AL)
9	H+	Hall + input terminal
10	HB	Hall bias terminal
11	H-	Hall - input terminal
12	REF	Reference voltage output terminal
13	SELS	Signal select terminal (Rotation speed pulse signal: FG or Lock alarm signal: AL)
14	SELO	OSC select terminal (Triangle OSC or Saw OSC)
15	GND	Ground terminal
16	OUT1	Motor output 1 terminal

Block Diagram

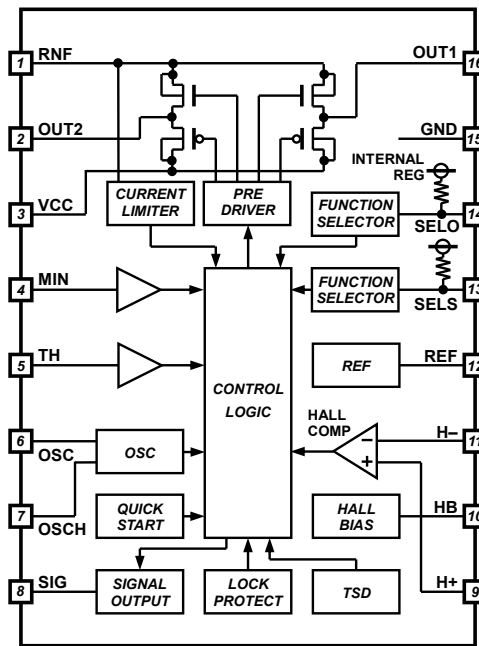


Figure 2. Block Diagram

I/O Truth Table

Hall Input		Driver Output		
H+	H-	OUT1	OUT2	SIG(FG)
H	L	L	H	Hi-Z
L	H	H	L	L

H; High, L; Low, Hi-Z; High impedance  
SIG output is open-drain type.

Motor State	OUT1/2	SIG(FG)	SIG(AL)
Rotating	-	-	L
Locking	-	-	Hi-Z
Standby	Hi-Z	Hi-Z	L

L; Low, Hi-Z; High impedance  
SIG output is open-drain type.

## Absolute Maximum Ratings

Parameter	Symbol	Rating	Unit
Supply Voltage	V <sub>CC</sub>	20	V
Power Dissipation	P <sub>d</sub>	0.88 (Note 1)	W
Operating Temperature Range	T <sub>opr</sub>	-40 to +105	°C
Storage Temperature Range	T <sub>stg</sub>	-55 to +150	°C
Output Voltage	V <sub>O</sub>	20	V
Output Current	I <sub>O</sub>	1.2 (Note 2)	A
Signal Output Voltage	V <sub>SIG</sub>	20	V
Signal Output Current	I <sub>SIG</sub>	10	mA
Reference Voltage(REF) Output Current	I <sub>REF</sub>	5	mA
Hall Bias(HB) Output Current 1	I <sub>HB1</sub>	10 (Note 3)	mA
Hall Bias(HB) Output Current 2	I <sub>HB2</sub>	5 (Note 4)	mA
Input Voltage(H+, H-, TH, MIN, SELO, SELS)	V <sub>IN</sub>	7	V
Junction Temperature	T <sub>j</sub>	150	°C

(Note 1) Derate by 7.1mW/°C if operating over Ta=25°C.

(Note 2) Do not exceed Pd.

(Note 3) Ta=0°C or Higher.

(Note 4) Less than Ta=0°C.

**Caution:** Operating the IC over the absolute maximum ratings may damage the IC. The damage can either be a short circuit between pins or an open circuit between pins and the internal circuitry. Therefore, it is important to consider circuit protection measures, such as adding a fuse, in case the IC is operated over the absolute maximum ratings.

Thermal Resistance<sup>(Note 1)</sup>

Parameter	Symbol	Thermal Resistance (Typ)	Unit
		1S <sup>(Note 3)</sup>	
SSOP-B16			
Junction to Ambient	θ <sub>JA</sub>	140.9	°C/W
Junction to Top Characterization Parameter <sup>(Note 2)</sup>	Ψ <sub>JT</sub>	6	°C/W

(Note 1) Based on JE51-2A(Still-Air)

(Note 2) The thermal characterization parameter to report the difference between junction temperature and the temperature at the top center of the outside surface of the component package.

(Note 3) Using a PCB board based on JE51-3.

Layer Number of Measurement Board	Material	Board Size
Single	FR-4	114.3mm x 76.2mm x 1.57mm

Top	
Copper Pattern	Thickness
Footprints and Traces	70μm

## Recommended Operating Conditions

Parameter	Symbol	Min	Typ	Max	Unit
Supply Voltage Range	V <sub>CC</sub>	4.3	12	17	V
Input Voltage Range 1 (H+, H-) (V <sub>CC</sub> ≥9V)	V <sub>IN1</sub>	0	-	3.0	V
Input Voltage Range 1 (H+, H-) (V <sub>CC</sub> <9V)		0	-	V <sub>CC</sub> /3	V
Input Voltage Range 2 (TH, MIN)	V <sub>IN2</sub>	0	-	V <sub>REF</sub>	V
Input Frequency Range (H+, H-)	f <sub>IN</sub>	0	-	400	Hz
OSC Frequency Range	f <sub>OSCR</sub>	18	-	50	kHz

(Note) Recommended motor: Single phase fan motor of 4 poles

Electrical Characteristics (Unless otherwise specified  $V_{CC}=12V$   $T_a=25^{\circ}C$ )

Parameter	Symbol	Min	Typ	Max	Unit	Conditions
Circuit Current	$I_{CC}$	-	5.0	9.0	mA	
Circuit Current (Stand-by)	$I_{STBY}$		3.0	4.8	mA	
Hall Bias Voltage	$V_{HB}$	1.05	1.25	1.45	V	$I_{HB}=-2mA$
Output Voltage	$V_O$	-	0.6	0.9	V	$I_O=\pm 400mA$ , High and Low total
Lock Detection ON Time	$t_{ON}$	0.3	0.5	0.7	s	
Lock Detection OFF Time	$t_{OFF}$	3.0	5.0	7.0	s	
Lock Detection OFF/ON Ratio	$R_{LCK}$	8.5	10.0	11.5	-	$R_{LCK}=t_{OFF} / t_{ON}$
Hall Input Hysteresis Voltage	$V_{HYS}$	$\pm 6$	$\pm 12$	$\pm 18$	mV	
SIG Output Low Voltage	$V_{SIGL}$	-	0.2	0.3	V	$I_{SIG}=5mA$
SIG Output Leak Current	$I_{SIGL}$	-	-	10	$\mu A$	$V_{SIG}=17V$
OSC Frequency (Reference Data)	$f_{OSC}$	-	28	-	kHz	SELO=H(OPEN), $C_{OSC}=100pF$ (Note1)
OSC Charge Current	$I_{COSC}$	-16	-11	-6	$\mu A$	$V_{OSC}=2.0V$
OSC Discharge Current	$I_{DOSC}$	6	11	16	$\mu A$	$V_{OSC}=2.0V$
OSC High Voltage	$V_{OSCH}$	2.80	3.00	3.20	V	
OSC Low Voltage	$V_{OSCL}$	0.85	1.05	1.25	V	
Output ON Duty	$D_{OH}$	38	48	58	%	$V_{TH}=0.4 \times V_{REF}$ Output 1k $\Omega$ Load SELO=H(OPEN) $C_{OSC}=100pF$ (Note1)
Reference Voltage	$V_{REF}$	4.7	5.0	5.3	V	$I_{REF}=-2mA$
MIN Input Bias Current	$I_{MIN}$	-0.6	-	-	$\mu A$	$V_{MIN}=0V$
TH Input Bias Current	$I_{TH}$	-0.6	-	-	$\mu A$	$V_{TH}=0V$
SELS Input Open Voltage	$V_{SELSO}$	3.2	3.5	3.8	V	
SELS Input Low Level	$V_{SELSL}$	-0.2	-	0.7	V	
SELS Input Bias Current	$I_{SELS}$	-35	-25	-15	$\mu A$	$V_{SELS}=0V$
SELO Input Open Voltage	$V_{SELOO}$	3.2	3.5	3.8	V	
SELO Input Low Level	$V_{SELOL}$	-0.2	-	0.7	V	
SELO Input Bias Current	$I_{SELO}$	-35	-25	-15	$\mu A$	$V_{SELO}=0V$
Current Limit Voltage	$V_{CL}$	235	265	295	mV	

(Note1) 100pF includes parasitic capacitance of substrate and other.

For parameters involving current, positive notation means inflow of current to IC while negative notation means outflow of current from IC.

The reference data is a design guaranteed value and the numerical all shipment inspection off the subject item.

Typical Performance Curves (Reference data)

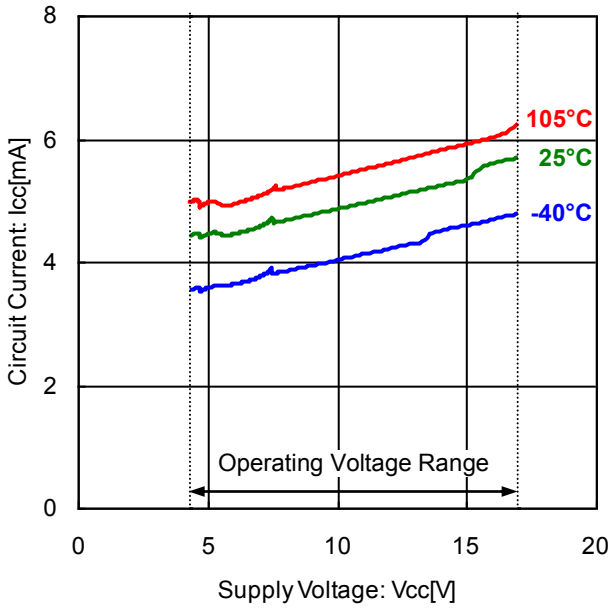


Figure 3. Circuit Current vs Supply Voltage (In Operation)

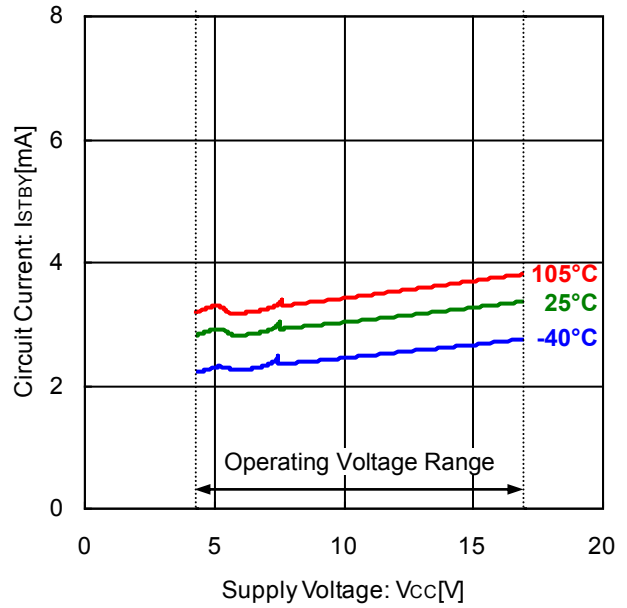


Figure 4. Circuit Current vs Supply Voltage (In Standby)

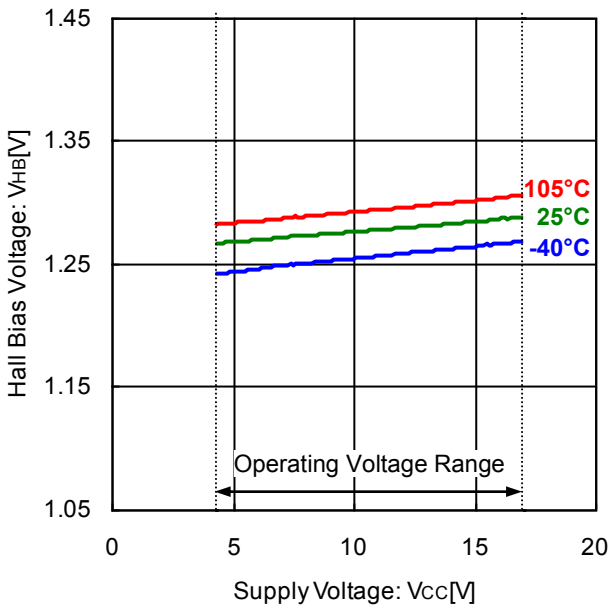


Figure 5. Hall Bias Voltage vs Supply Voltage (IHB=-2mA)

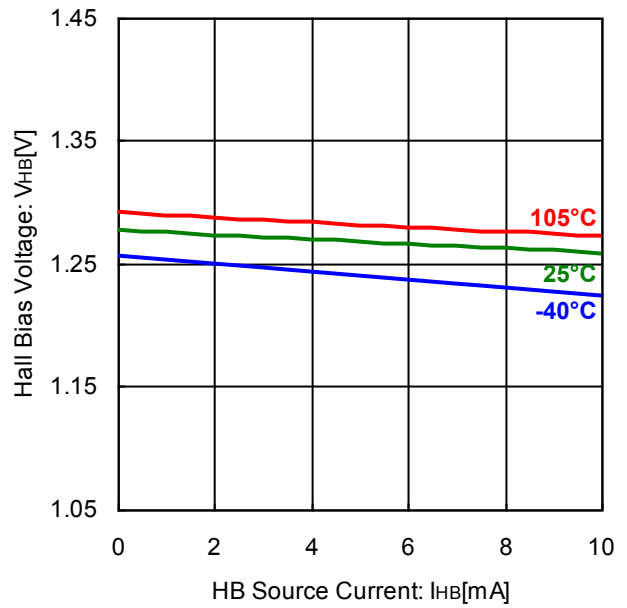


Figure 6. Hall Bias Voltage vs HB Source Current (Vcc=12V)

Typical Performance Curves (Reference data) - continued

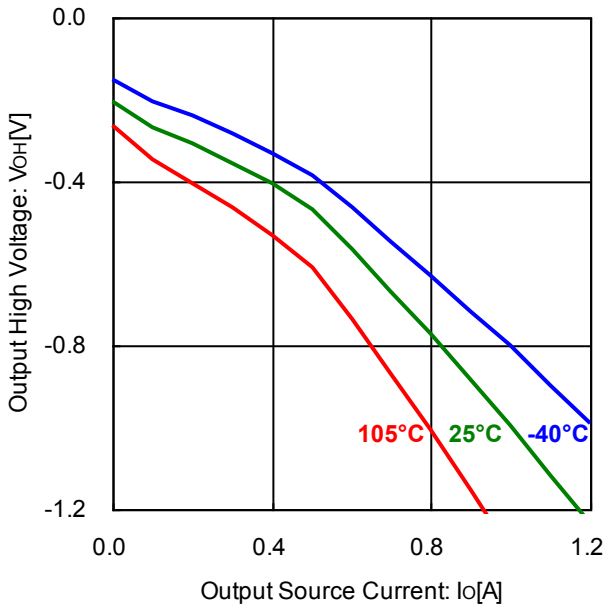


Figure 7. Output High Voltage vs Output Source Current (V<sub>CC</sub>=12V)

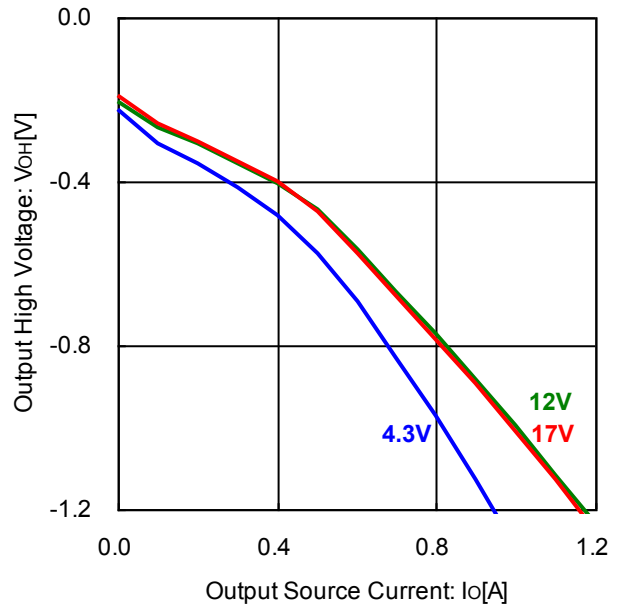


Figure 8. Output High Voltage vs Output Source Current (T<sub>a</sub>=25°C)

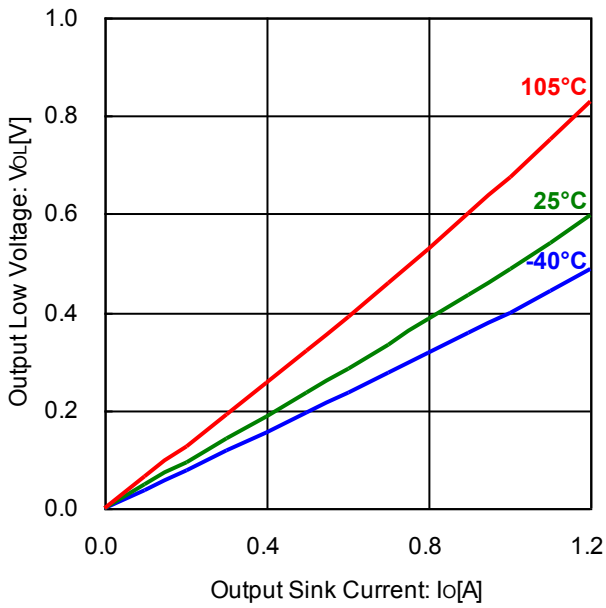


Figure 9. Output Low Voltage vs Output Sink Current (T<sub>a</sub>=25°C)

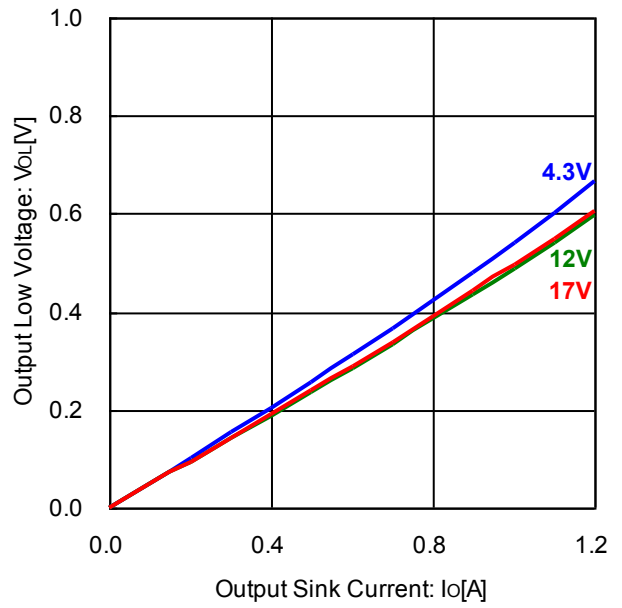


Figure 10. Output Low Voltage vs Output Sink Current (V<sub>CC</sub>=12V)

Typical Performance Curves (Reference data) - continued

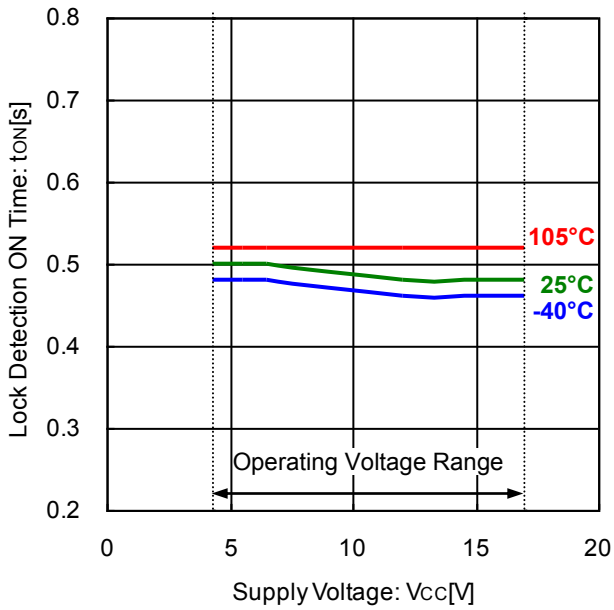


Figure 11. Lock Detection ON Time vs Supply Voltage

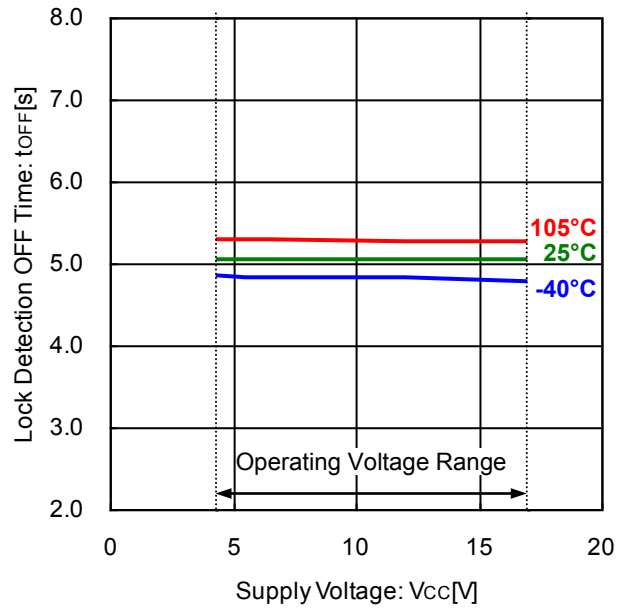


Figure 12. Lock Detection OFF Time vs Supply Voltage

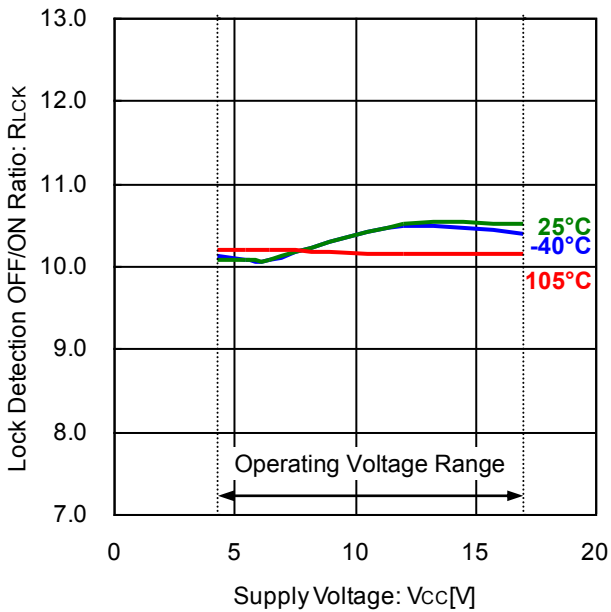


Figure 13. Lock Detection OFF/ON Ratio vs Supply Voltage

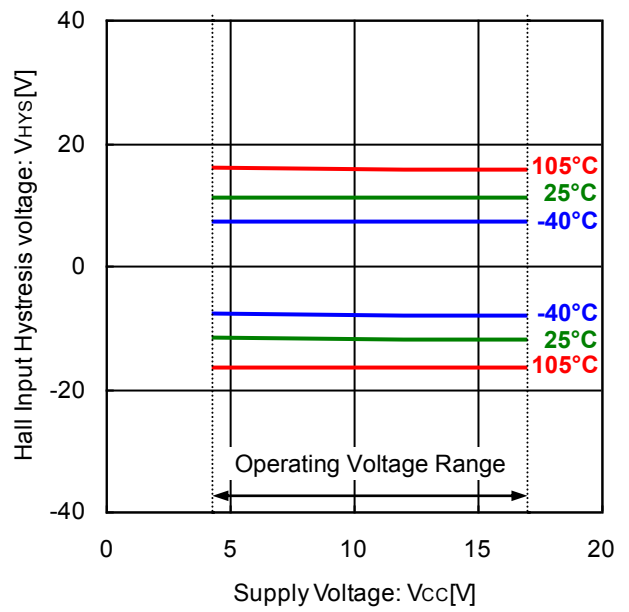


Figure 14. Hall Input Hysteresis Voltage vs Supply Voltage

Typical Performance Curves (Reference data) - continued

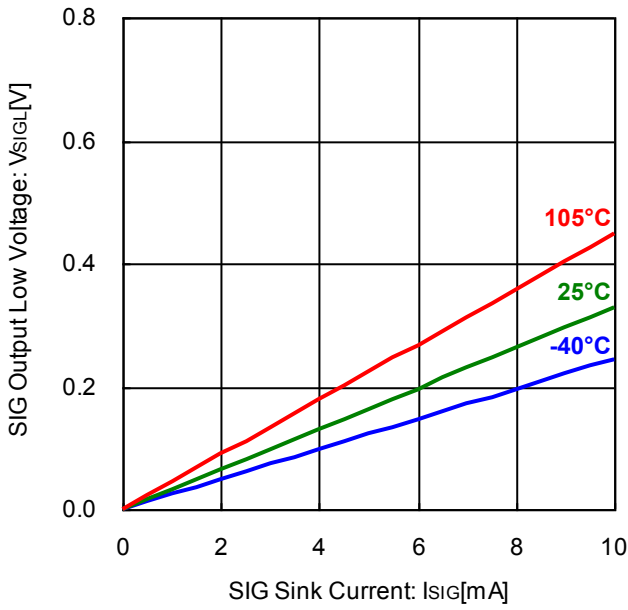


Figure 15. SIG Output Low Voltage vs SIG Sink Current (VCC=12V)

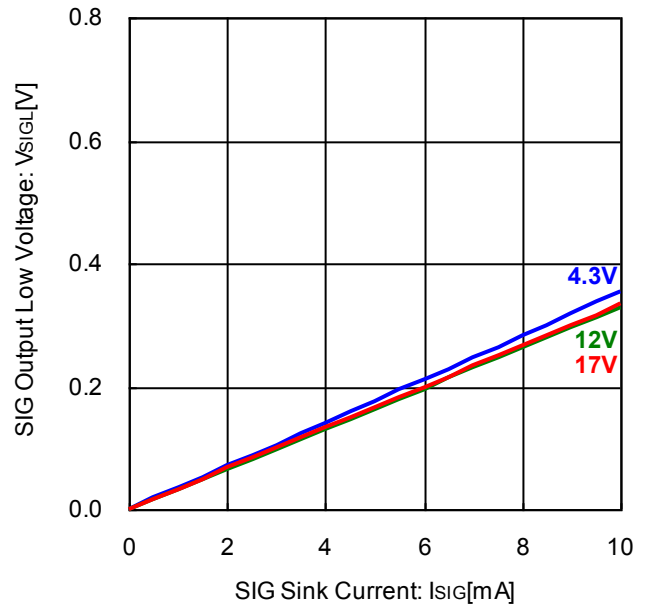


Figure 16. SIG Output Low Voltage vs SIG Sink Current (Ta=25°C)

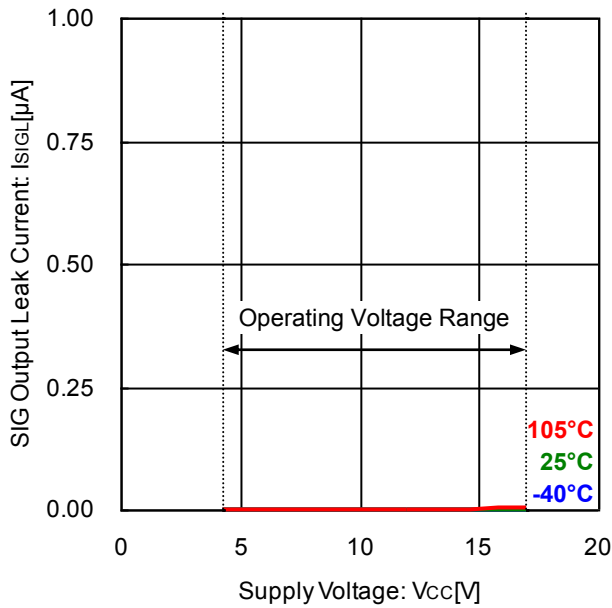


Figure 17. SIG Output Leak Current vs Supply Voltage (Vsig=17V)

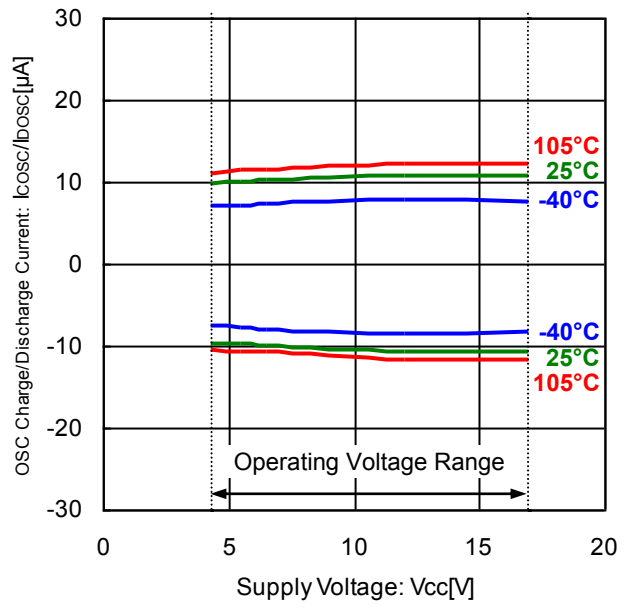


Figure 18. OSC Charge/Discharge Current vs Supply Voltage



Typical Performance Curves (Reference data) - continued

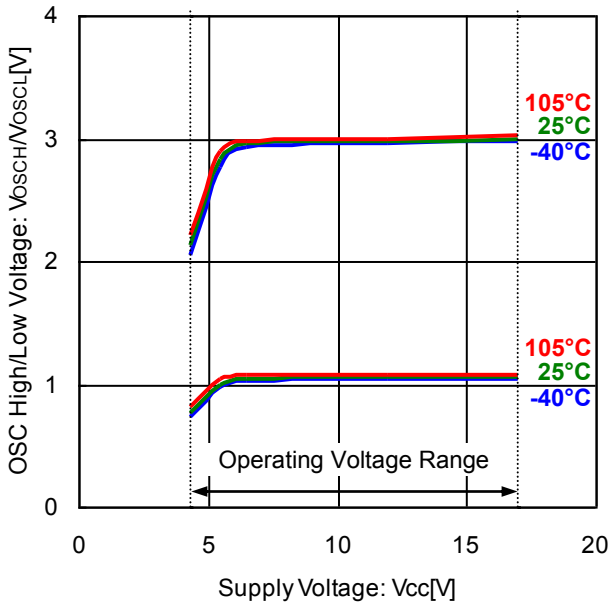


Figure 19. OSC High/Low Voltage vs Supply Voltage

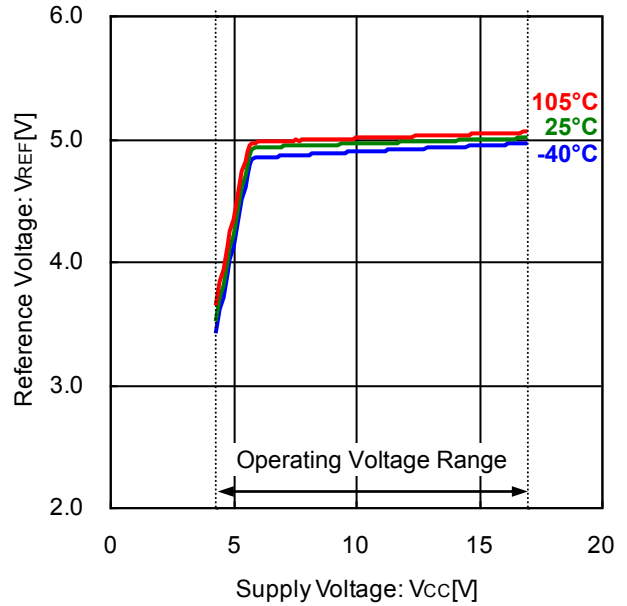


Figure 20. Reference Voltage vs Supply Voltage ( $I_{REF} = -2mA$ )

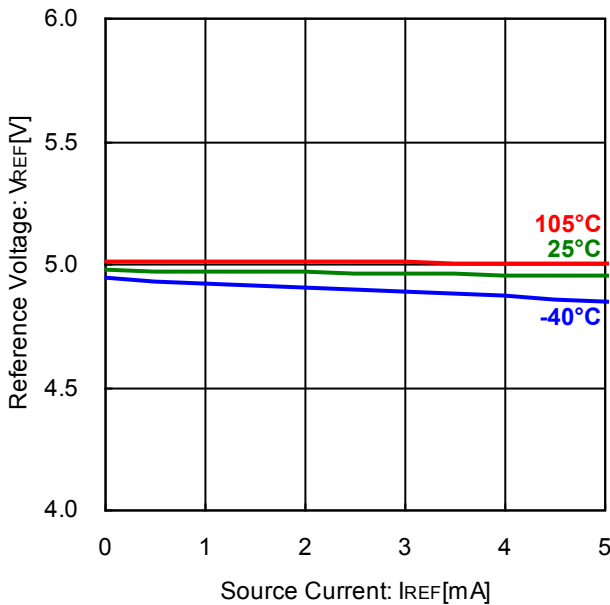


Figure 21. Reference Voltage vs Source Current ( $V_{CC} = 12V$ )

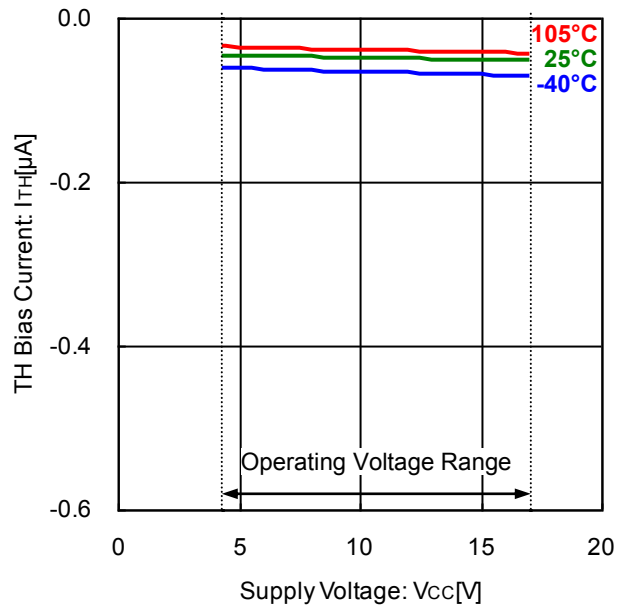


Figure 22. TH Bias Current vs Supply Voltage ( $V_{TH} = 0V$ )

Typical Performance Curves (Reference data) - continued

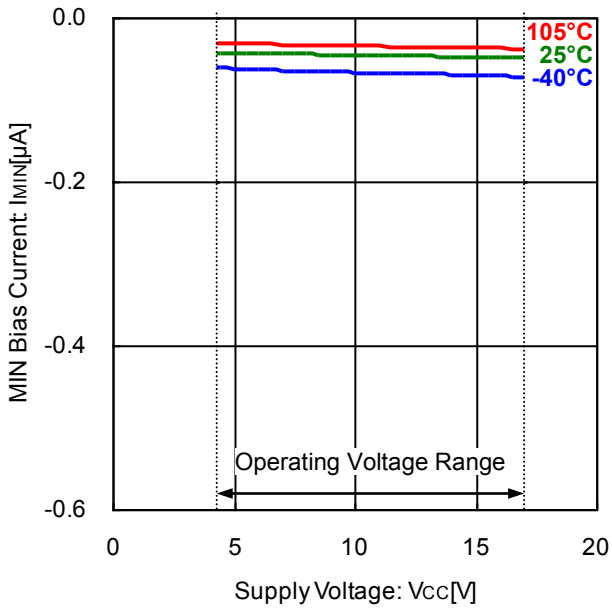


Figure 23. MIN Bias Current vs Supply Voltage ( $V_{MIN}=0V$ )

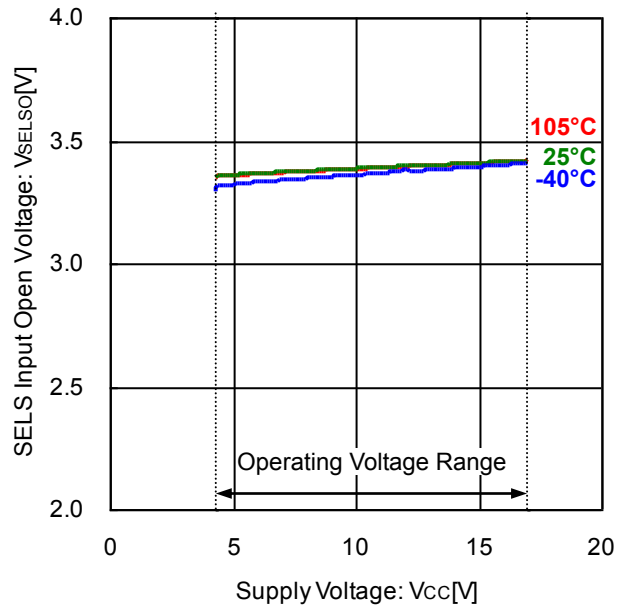


Figure 24. SELS Input Open Voltage vs Supply Voltage

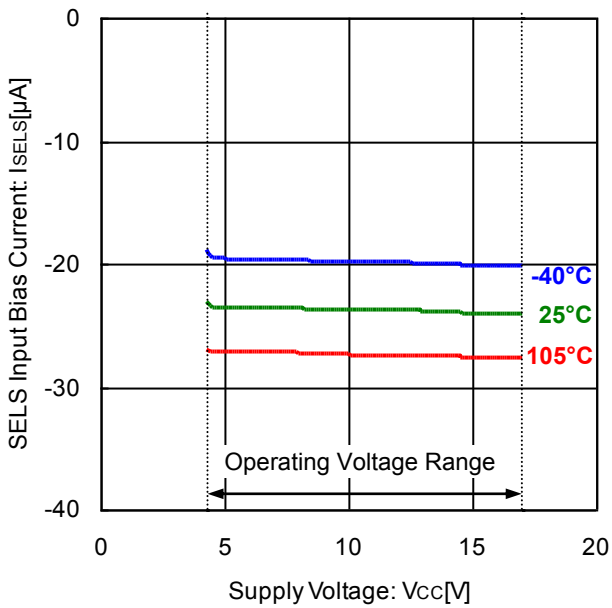


Figure 25. SELS Input Bias Current vs Supply Voltage ( $V_{SELS}=0V$ )

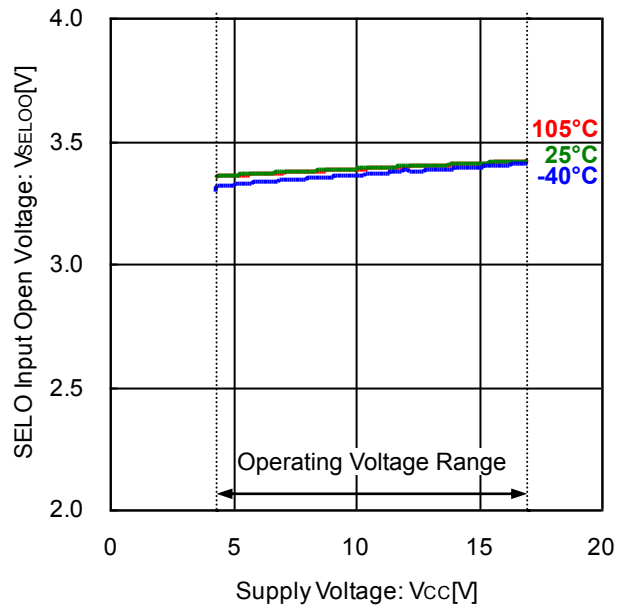


Figure 26. SELO Input Open Voltage vs Supply Voltage

Typical Performance Curves (Reference data) - continued

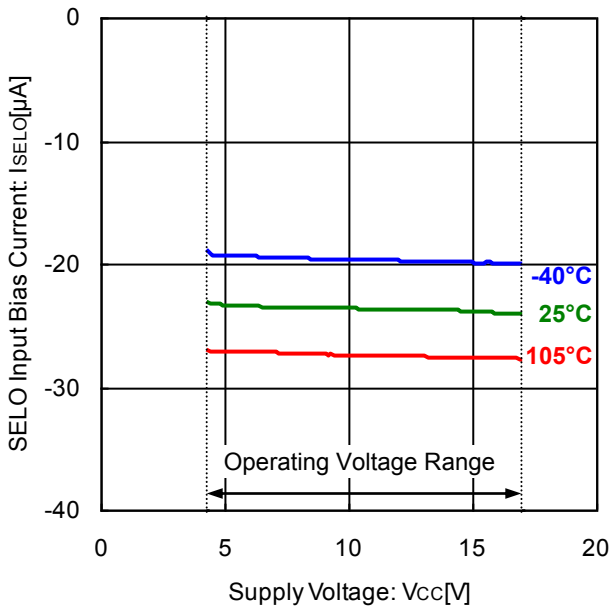


Figure 27. SELO Input Bias Current vs Supply Voltage (V<sub>SELO</sub>=0V)

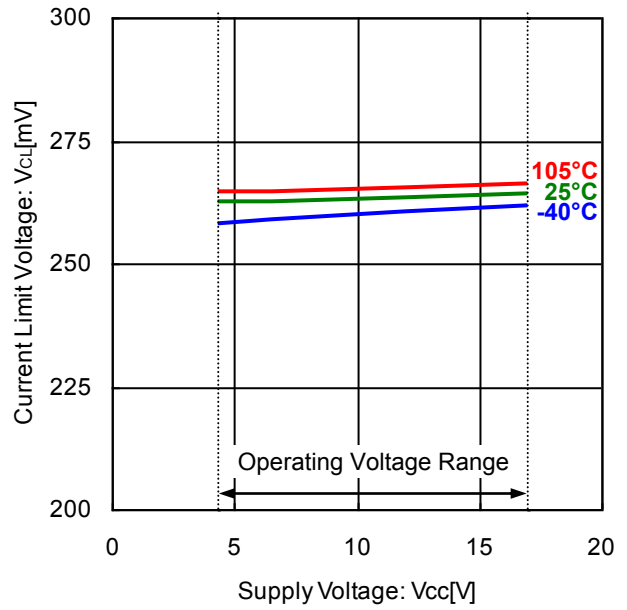
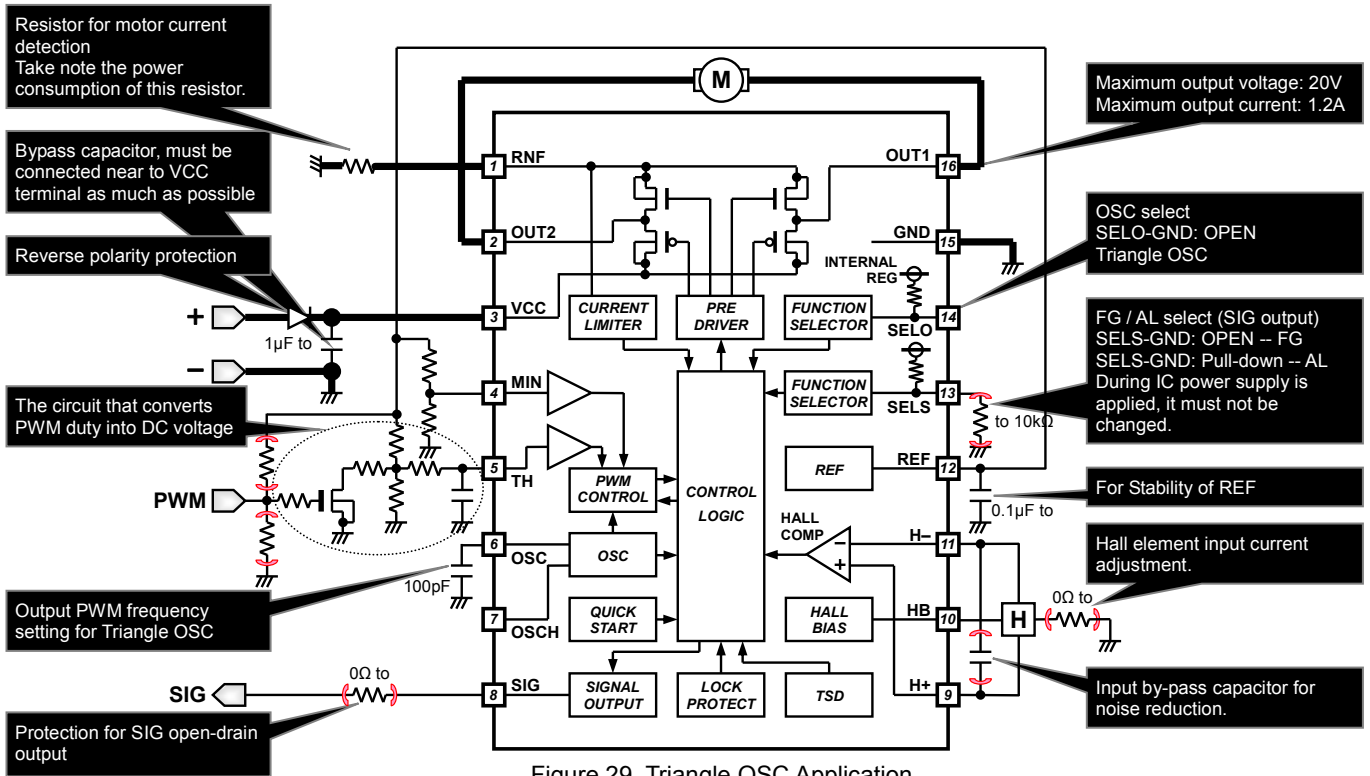


Figure 28. Current Limit Voltage vs Supply Voltage

**Application Example (Constant Values are for Reference)**

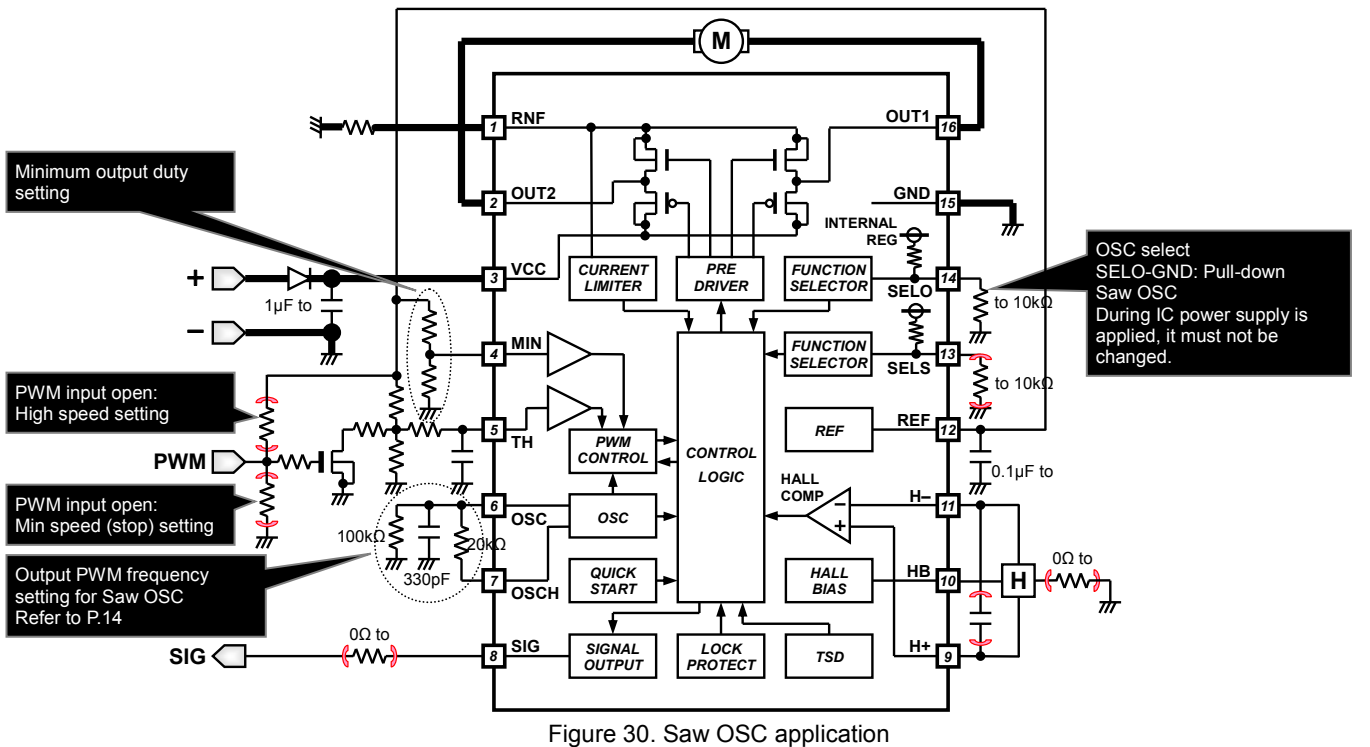
1. Triangle OSC Application

Triangle OSC for controlling the speed is generated using the OSC circuit in the IC. Triangle OSC is compared with the external PWM signal converted into the DC voltage, and controlling the rotational speed.



2. Saw OSC Application

Saw OSC for controlling the speed is generated using an external capacitor and resistor. Saw OSC is compared with the external PWM signal converted into the DC voltage, and controlling the rotational speed.



**Substrate Design Note**

1. IC power, Motor outputs, and Motor ground lines should be made as wide as possible.
2. When the absolute maximum rated voltage may be exceeded due to voltage rise by back electromotive force, place capacitor or zener diode between VCC and GND. If necessary, add both. The bypass capacitor and/or zener diode must be connected near to VCC terminal as much as possible.
3. H+ and H- lines are arranged side by side and connected from the hall element to the IC as short as possible, because it is easy for noise to affect the hall lines.

**Functional Descriptions**

1. Variable speed operation  
The rotational speed is changed by PWM duty on the motor outputs (OUT1, OUT2 terminals).

(1) PWM Operation by DC input

As shown in Figure 32, to change the motor output PWM duty, a DC voltage input from TH terminal is compared with triangle (saw) wave produced by internal OSC circuit. MIN terminal is used to set the minimum PWM duty. The PWM duty is determined by the lower voltage between the TH voltage and the MIN voltage.

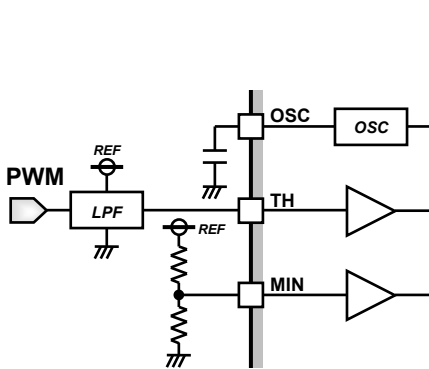


Figure 31. DC input application

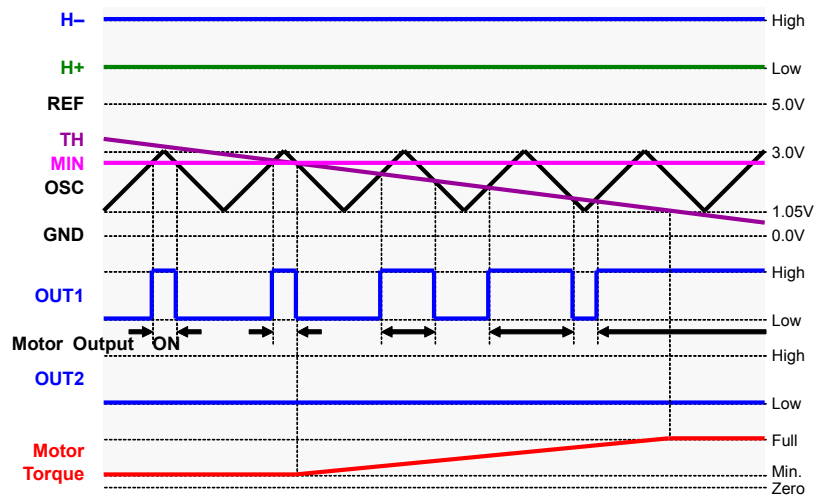


Figure 32. DC Input Operation Timing Chart

Dividing resistor of REF generates OSC high level (Typ.3.0V) and OSC low level (Typ.1.05V) voltage, and the ratio of those voltages is designed to be hard to fluctuate. For an application that requires strict precision, determine a value with sufficient margin after taking full consideration of external constants.  
(Note) In BD6995FV, the speed control with the direct PWM input is impossible.

(2) Setting of TH and MIN Terminals

The voltage of the TH terminal or MIN terminal becomes irregular when it is open. Please apply voltages to both terminals when turning on IC power supply.

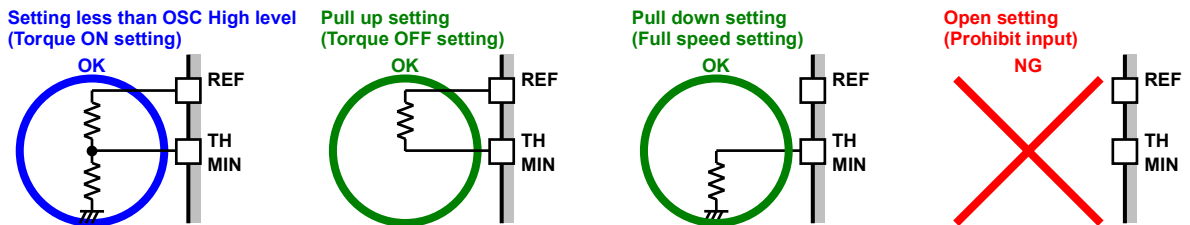


Figure 33. Setting of the Variable Speed Function

(3)-1 Output Oscillatory Frequency Setting (Triangle OSC: SELO=H or OPEN, OSCH=OPEN)

Frequency (fosc) in which the motor outputs are operated PWM by DC voltage input is set according to capacity value (Cosc) of the capacitor connected with OSC terminal.

$$f_{osc} = |I_{DOSC} \times I_{COSC}| / (C_{OSC} \times (|I_{DOSC}| + |I_{COSC}|) \times (V_{OSCH} - V_{OSCL})) \text{ [Hz]}$$

- f<sub>osc</sub>: OSC frequency [Hz]
- C<sub>osc</sub>: Capacitance between OSC and GND [F]
- I<sub>DOSC</sub>: OSC discharge current [A] (Typ: 11μA)
- I<sub>COSC</sub>: OSC charge current [A] (Typ: -11μA)
- V<sub>OSCH</sub>: OSC high voltage [V] (Typ: 3.0V)
- V<sub>OSCL</sub>: OSC low voltage [V] (Typ: 1.05V)

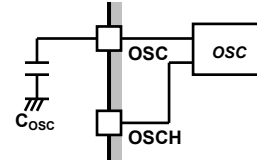


Figure 34. Triangle OSC Application

(Example.) The frequency when motor output PWM operates becomes about 28.2 kHz when assuming that C<sub>osc</sub> is 100pF.

$$f_{osc} = |11\mu \times -11\mu| / (100p \times (|11\mu| + |-11\mu|) \times (3.0 - 1.05)) = 28.2 \text{ [kHz]}$$

When this application is used in a wide temperature range, fluctuation range of the frequency becomes large by individual difference and temperature characteristics of the IC. For an application that requires quiet, determine a value with sufficient margin that frequency becomes outside of audible range. When the triangle OSC is used, please set OSCH terminal open.

(3)-2 Output Oscillatory Frequency Setting (Saw OSC: SELO=L)

Frequency (fosc) in which the motor outputs are operated PWM by DC voltage input is set according to R1 and R2 and C<sub>osc</sub>.

$$T_{RISE} = - \{R_H \times R_2 \times C / (R_H + R_2)\} \times \ln \{ (V_{OSCH} - (R_2 \times V_{REF}) / (R_H + R_2)) / (V_{OSCL} - (R_2 \times V_{REF}) / (R_H + R_2)) \} \text{ [s]}$$

$$R_H = R_1 + R_{OSCH} \text{ [}\Omega\text{]}$$

$$T_{FALL} = - R_2 \times C \times \ln (V_{OSCL} / V_{OSCH}) \text{ [s]}$$

$$f_{OSC} = 1 / (T_{RISE} + T_{FALL}) \text{ [Hz]}$$

- R<sub>OSCH</sub>: Internal resistor (Typ: 5kΩ)
- T<sub>RISE</sub>: OSC rise time [s]
- T<sub>FALL</sub>: OSC fall time [s]
- f<sub>osc</sub>: OSC frequency [Hz]
- C<sub>osc</sub>: Capacitance between OSC and GND [F]
- V<sub>REF</sub>: REF voltage [V] (Typ: 5.0V)
- V<sub>OSCH</sub>: OSC high voltage [V] (Typ: 3.0V)
- V<sub>OSCL</sub>: OSC low voltage [V] (Typ: 1.05V)

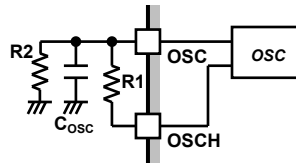


Figure 35. Saw OSC Application

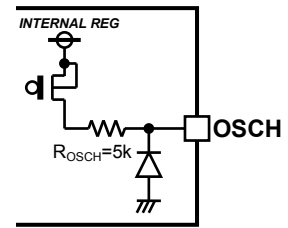


Figure 36. OSCH Circuit

(Example.) The frequency when motor output PWM operates becomes about 23.9 kHz when assuming that R<sub>OSCH</sub> is 5kΩ and R1 is 20kΩ, R2=100kΩ and C<sub>osc</sub> is 330pF.

$$T_{RISE} = - \{25k \times 100k \times 330p / (25k + 100k)\} \times \ln \{ (3 - (100k \times 5) / (25k+100k)) / (1.05 - (100k \times 5) / (25k+100k)) \}$$

$$= 7.14 \text{ [}\mu\text{s]}$$

$$T_{FALL} = - 100k \times 330p \times \ln (1.05 / 3)$$

$$= 34.64 \text{ [}\mu\text{s]}$$

$$f_{OSC} = 1 / (7.14\mu + 34.64\mu)$$

$$= 23.9 \text{ [kHz]}$$

When this application is comprised of external parts of good temperature characteristics, there is less frequency fluctuation compared to triangle OSC. When the frequency fluctuation needs to be suppressed, saw OSC is recommended.

2. Lock Protection and Automatic Restart

Motor rotation is detected by hall signal and the IC internal counter set lock detection ON time ( $t_{ON}$ ) and OFF time ( $t_{OFF}$ ). Timing chart is shown in Figure 37. The soft switching of OUT1 and OUT2 is not included in this timing chart.

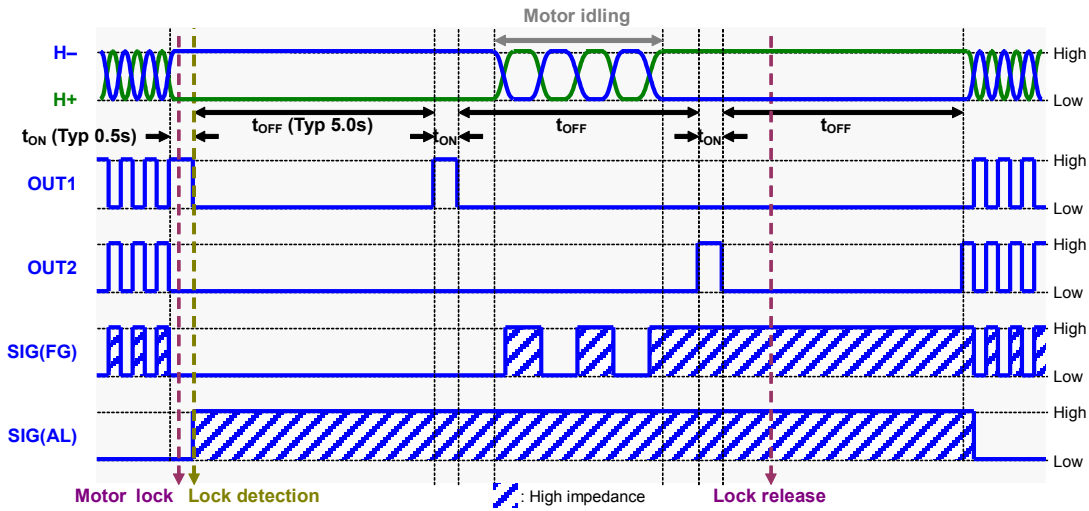


Figure 37. Timing chart of Lock Protection

3. Quick Start and Standby

When the motor stopped by torque OFF voltage ( $V_{TH} > V_{OSCH}$ ) restarts by torque ON voltage ( $V_{TH} < V_{OSCH}$ ), the motor is not affected by the lock protection function. The motor can restart immediately anytime. In the case of minimum PWM duty OFF setting ( $V_{MIN} > V_{OSCH}$ ), this function is enable.

- (1) When torque OFF voltage is input during motor rotation:  
The lock protection function is disabled. Restart failure is prevented.
- (2) When torque OFF voltage is input during motor rotation and 0.5 second (Typ) passed from the last hall input signal change:  
IC goes to standby mode. (Lock protection function remains disabled.)  
In standby mode, OUT1 and OUT2 and SIG (FG) become Hi-Z logic and SIG (AL) becomes L logic.  
When torque ON voltage is inputted at the standby mode, the motor can restart (AL logic is L).  
Timing chart is shown in Figure 38.
- (3) When torque OFF voltage is input during lock protection:  
Since 0.5 second (Typ) passed from the last hall input signal change, IC goes to standby mode immediately.  
(Note)  
When torque OFF voltage is input in a timing same as lock protection, IC goes to standby mode immediately.  
Because OUT1 and OUT2 become Hi-Z logic, when coil current is left, current returns to power supply. When the above mentioned timing is assumed, please take measures of item2 of safety measures or please increase the value of the filter of TH terminal in an application circuit. (More than 20kΩ, 1μF)

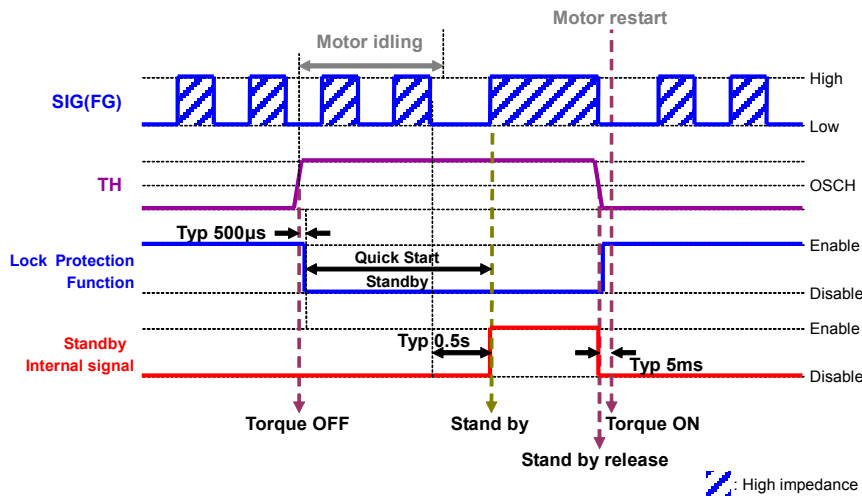


Figure 38. Timing chart of Quick start and Standby

4. Hall Input Setting

(1) Hall Input Setting

Hall input voltage range is shown in operating conditions. The input voltage of a hall comparator is input in "hall input voltage range" including signal amplitude. The input current to Hall element can be adjusted with R1 resistor.

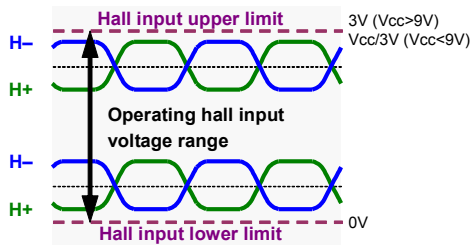


Figure 39. Hall Input Voltage Range

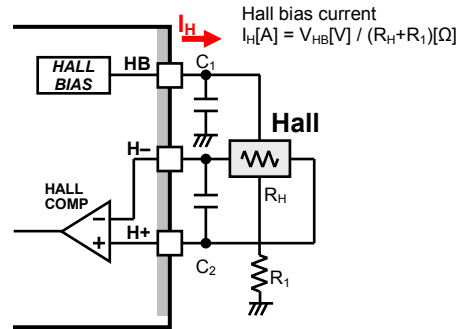


Figure 40. Hall input application

(2) Reducing the Noise of Hall Signal

VCC noise or the like depending on the wiring pattern of board may affect Hall element. In this case, place a capacitor C1 as shown Figure 40. In addition, when wiring from the hall element output to IC hall input is long, noise may be loaded on wiring. In this case, insert a capacitor C2.

5. Current Limit

The current limit circuit turns off the upper side output, when the current that flows to the motor coil is detected exceeding a set value. The current limit value is controlled by internal setting voltage (Typ: 265mV) and current sense resistor. In Figure 41,  $I_o$  is the current flowing to the motor coil,  $R_{NF}$  is the resistance detecting the current, and  $P_{RMAX}$  is the power consumption of  $R_{NF}$ .

$$I_o[A] = V_{CL}[V] / R_{NF}[\Omega]$$

$$= 265[mV] / 0.33[\Omega]$$

$$= 0.803[A]$$

$$P_{RMAX}[W] = V_{CL}[V] \times I_o[A]$$

$$= 265[mV] \times 0.803[A]$$

$$= 0.213[W]$$

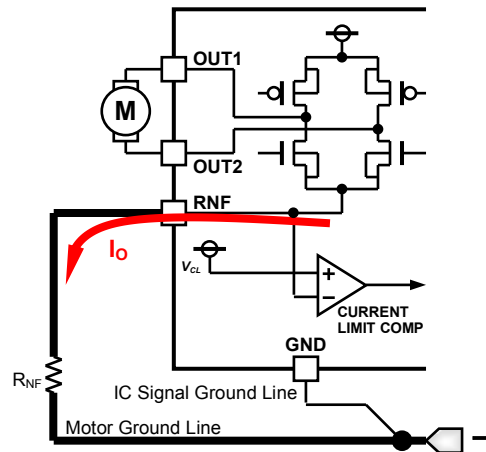


Figure 41. Setting of current limit and ground lines



6. Soft Switching Period and Recirculating Period  
 BD6995FV has the soft switching period (Note1) and the recirculating period (Note2). The width of each period is set as follows. The soft switching period is approximately 28 degrees (5 steps). The recirculating period is approximately 11 degrees. Timing chart is shown in Figure 42.  
 (Note1) The soft switching period is the period when a duty of the output changes to a target duty from 0% or 0% from a target duty.  
 (Note2) The recirculating period is the period when coil current recirculates before phase switching of output.

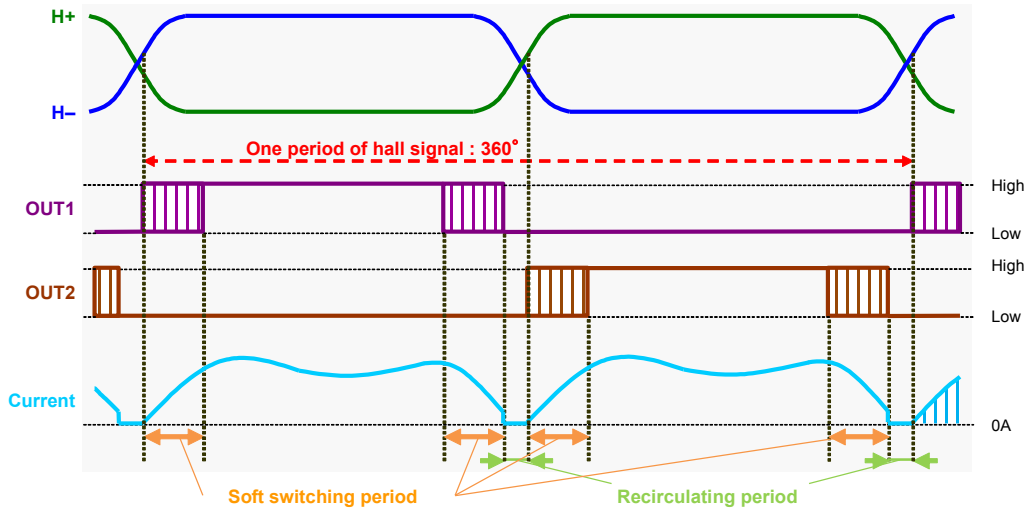
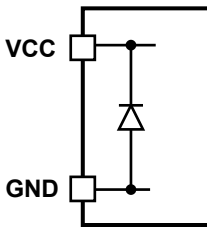


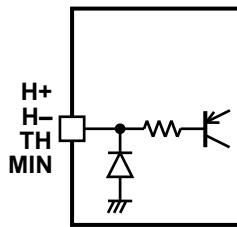
Figure 42. Timing Chart of Soft switching period and Recirculating period

I/O Equivalence Circuit (Resistance Values are Typical)

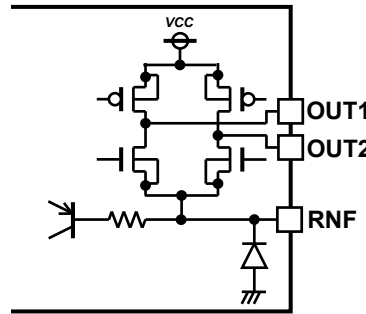
1. Power supply terminal, Ground terminal



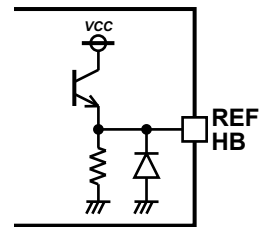
2. Hall+, Hall- terminals, TH, MIN terminals



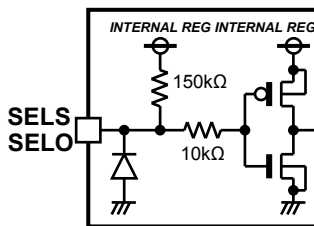
3. OUT1, OUT2 terminals, RNF terminal



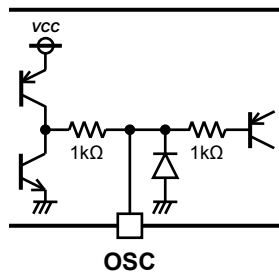
4. REF terminal, HB terminal



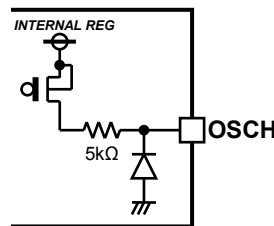
5. SELS, SELO terminals



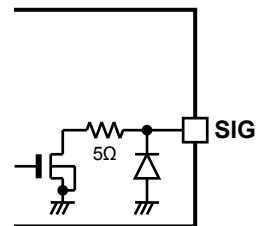
6. OSC terminal



7. OSCH terminal



8. SIG terminal



**Safety Measure**

- Reverse Connection Protection Diode  
Reverse connection of power results in IC destruction as shown in Figure 43. When reverse connection is possible, reverse connection protection diode must be added between power supply and VCC.

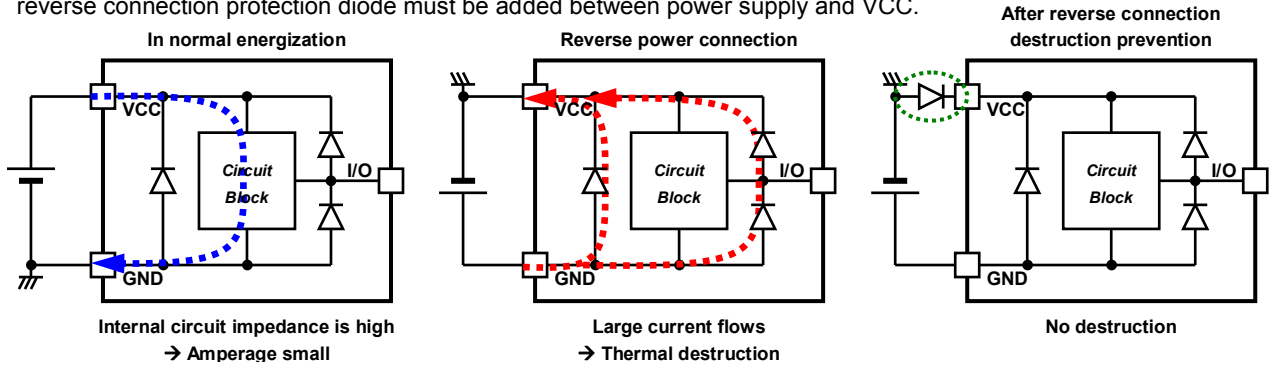


Figure 43. Flow of Current When Power is Connected Reversely

- Measure against V<sub>CC</sub> Voltage Rise by Back Electromotive Force  
Back electromotive force (Back EMF) generates regenerative current to power supply. However, when reverse connection protection diode is connected, V<sub>CC</sub> voltage rises because the diode prevents current flow to power supply.

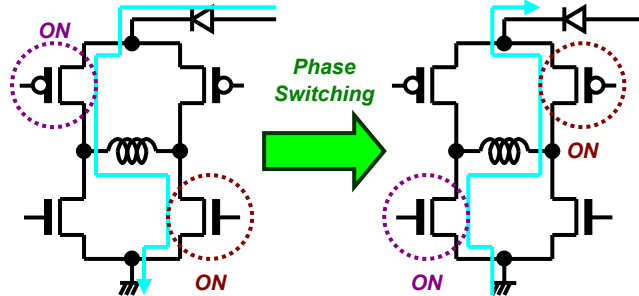


Figure 44. V<sub>CC</sub> Voltage Rise by Back Electromotive Force

When the absolute maximum rated voltage may be exceeded due to voltage rise by back electromotive force, place (A) Capacitor or (B) Zener diode between V<sub>CC</sub> and GND. If necessary, add both (C).

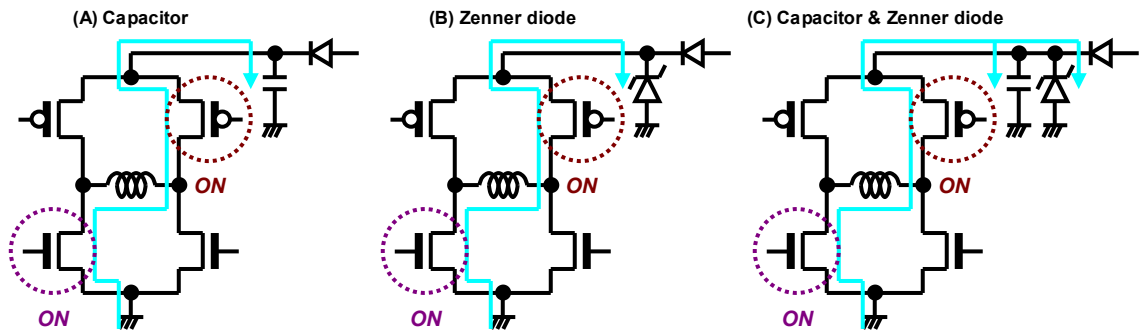


Figure 45. Measure against V<sub>CC</sub> and Motor Driving Outputs Voltage

- Problem of GND line PWM Switching  
Do not perform PWM switching of GND line because GND terminal potential cannot be kept to a minimum.
- Protection of SIG Open-Drain Output  
SIG output is an open drain and requires pull-up resistor. Adding resistor can protect the IC. When SIG terminal is directly connected to power supply, it will exceed the absolute maximum rating that could damage the IC.

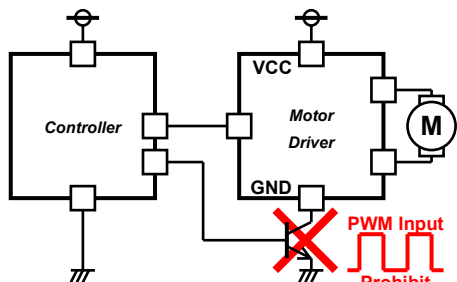


Figure 46. GND Line PWM Switching Prohibited

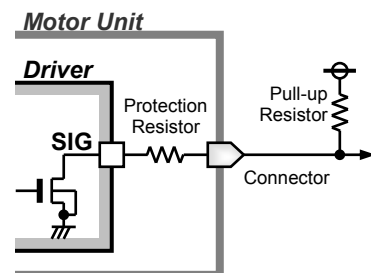


Figure 47. Protection of SIG Terminal

**Power Consumption**

1. Current Pathway

The current pathways that is related to heat generation of driver IC are the following, and shown in Figure 48.

- (1) Circuit Current ( $I_{CC}$ )
- (2) Motor Driving Current ( $I_M$ )
- (3) Reference Current ( $I_{REF}$ )
- (4) Hall Bias Current ( $I_{HB}$ )
- (5) SIG Output Sink Current ( $I_{SIG}$ )
- (6) Coil Current at the time of Phase Change ( $I_{CH}$ )

(It is added only when coil current is left at the time of phase change like Figure 49.)

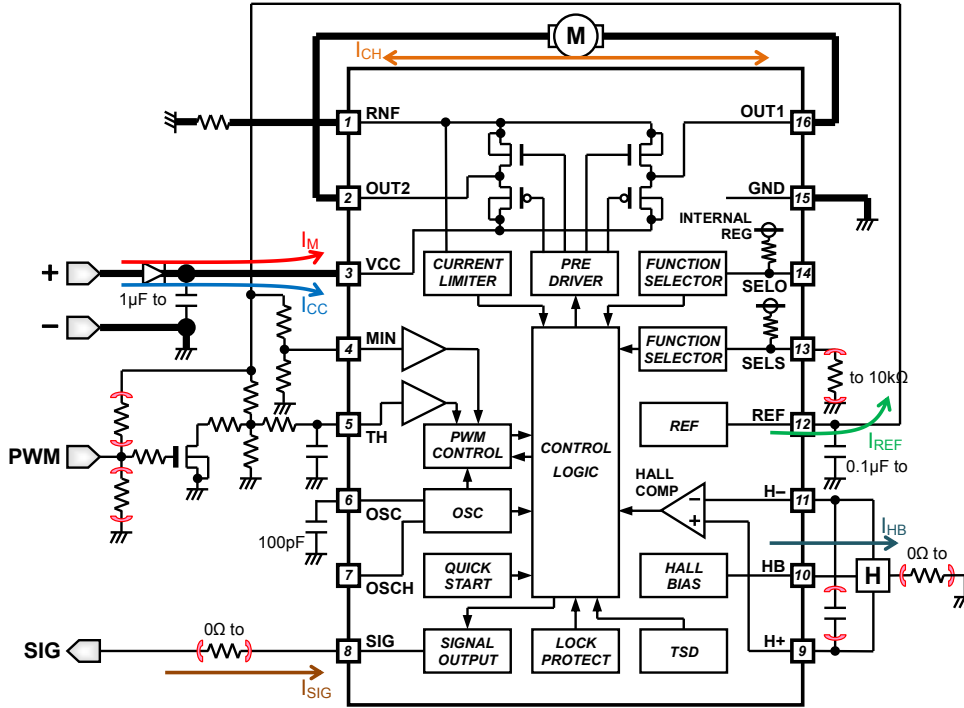


Figure 48. Current Pathway

2. Calculation of Power Consumption

- (1) Circuit Current ( $I_{CC}$ )  
 $P_{W1} = V_{CC} \times I_{CC}$  [W]
- (2) Motor Driving Current ( $I_M$ )  
 $P_{W2} = ((V_{OH} + V_{OL}) \times I_M)$  [W]

where:

- $V_{OH}$  is the output high voltage [V]
- $V_{OL}$  is the output low voltage [V]
- $I_M$  is the motor driving average current [A]

- (3) Reference Current ( $I_{REF}$ )  
 $P_{W3} = (V_{CC} - V_{REF}) \times I_{REF}$  [W]

- (4) Hall Bias Current ( $I_{HB}$ )  
 $P_{W4} = (V_{CC} - V_{HB}) \times I_{HB}$  [W]

- (5) SIG Output Sink Current ( $I_{SIG}$ )  
 $P_{W5} = V_{SIG} \times I_{SIG}$  [W]

- (6) Coil Current at the time of Phase Change ( $I_{CH}$ )  
 $P_{W6} = V_{CC} \times I_{CH} \times 1/2 \times T1/T$  [W]

where:

$I_{CH}$  is the coil current at the time of phase change [A]

Total power consumption of driver IC becomes the following by the above (1) to (6).

$$P_{W(tot)} = P_{W1} + P_{W2} + P_{W3} + P_{W4} + P_{W5} + (P_{W6})$$

Refer to next page to calculate the chip surface temperature ( $T_j$ ) from the power consumption value.

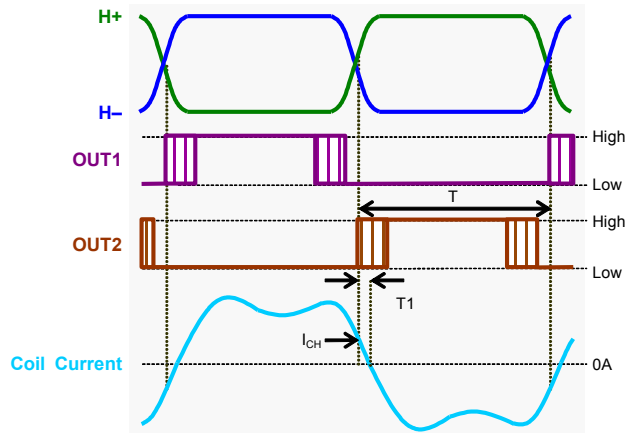


Figure 49. Waveform example  
(When coil current is left at the time of phase change)

**Power Dissipation**

1. Power Dissipation

Power dissipation (total loss) indicates the power that can be consumed by IC at Ta=25°C (normal temperature). IC is heated when it consumes power, and the temperature of IC chip becomes higher than ambient temperature. The temperature that can be allowed by IC chip into the package is the absolute maximum rating of the junction temperature, and depends on circuit configuration, manufacturing process, etc. Power dissipation is determined by this maximum junction temperature, the thermal resistance in the state of the substrate mounting, and the ambient temperature. Therefore, when the power dissipation exceeds the absolute maximum rating, the operating temperature range is not a guarantee. The maximum junction temperature is in general equal to the maximum value in the storage temperature range.

2. Thermal Resistance

Heat generated by consumed power of IC is radiated from the mold resin or lead frame of package. The parameter which indicates this heat dissipation capability (hardness of heat release) is called thermal resistance. In the state of the substrate mounting, thermal resistance from the chip junction to the ambient is shown in  $\theta_{JA}$  [°C/W], and thermal characterization parameter from junction to the top center of the outside surface of the component package is shown in  $\Psi_{JT}$  [°C/W]. Thermal resistance is classified into the package part and the substrate part, and thermal resistance in the package part depends on the composition materials such as the mold resins and the lead frames. On the other hand, thermal resistance in the substrate part depends on the substrate heat dissipation capability of the material, the size, and the copper foil area etc. Therefore, thermal resistance can be decreased by the heat radiation measures like installing a heat sink etc. in the mounting substrate.

The thermal resistance model is shown in Figure 50, and Equation is shown below.

$$\theta_{JA} = (T_j - T_a) / P \text{ [°C/W]}$$

$$\Psi_{JT} = (T_j - T_t) / P \text{ [°C/W]}$$

where:

$\theta_{JA}$  is the thermal resistance from junction to ambient [°C/W]

$\Psi_{JT}$  is the thermal characterization parameter from junction to the top center of the outside surface of the component package [°C/W]

$T_j$  is the junction temperature [°C]

$T_a$  is the ambient temperature [°C]

$T_t$  is the package outside surface (top center) temperature [°C]

$P$  is the power consumption [W]

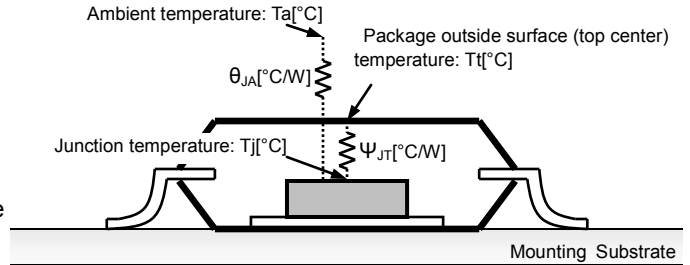


Figure 50. Thermal Resistance Model of Surface Mount

Even if it uses the same package,  $\theta_{JA}$  and  $\Psi_{JT}$  are changed depending on the chip size, power consumption, and the measurement environments of the ambient temperature, the mounting condition, and the wind velocity, etc.

3. Thermal De-rating Curve

Thermal de-rating curve indicates power that can be consumed by the IC with reference to ambient temperature. Power that can be consumed by IC begins to attenuate at certain ambient temperature (25°C), and becomes 0W at the maximum junction temperature (150°C). The inclination is reduced by the reciprocal of thermal resistance  $\theta_{ja}$ . The thermal de-rating curve under a condition of thermal resistance (P.3) is shown in Figure 51.

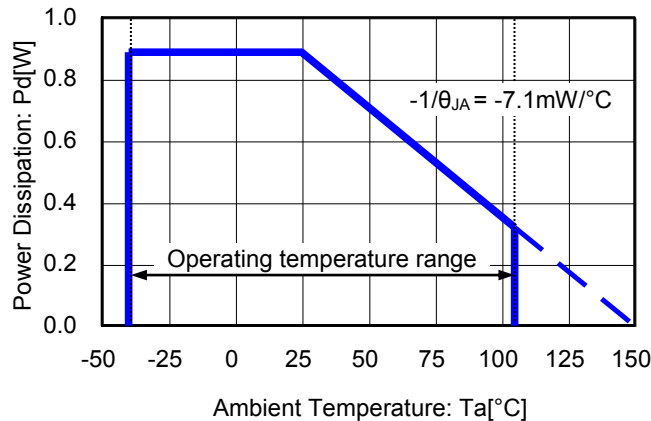


Figure 51. Power Dissipation vs Ambient Temperature

## Operational Notes

### 1. Reverse Connection of Power Supply

Connecting the power supply in reverse polarity can damage the IC. Take precautions against reverse polarity when connecting the power supply, such as mounting an external diode between the power supply and the IC's power supply pins.

### 2. Power Supply Lines

Design the PCB layout pattern to provide low impedance supply lines. Furthermore, connect a capacitor to ground at all power supply pins. Consider the effect of temperature and aging on the capacitance value when using electrolytic capacitors.

### 3. Ground Voltage

Ensure that no pins are at a voltage below that of the ground pin at any time, even during transient condition. However, pins that drive inductive loads (e.g. motor driver outputs, DC-DC converter outputs) may inevitably go below ground due to back EMF or electromotive force. In such cases, the user should make sure that such voltages going below ground will not cause the IC and the system to malfunction by examining carefully all relevant factors and conditions such as motor characteristics, supply voltage, operating frequency and PCB wiring to name a few.

### 4. Ground Wiring Pattern

When using both small-signal and large-current ground traces, the two ground traces should be routed separately but connected to a single ground at the reference point of the application board to avoid fluctuations in the small-signal ground caused by large currents. Also ensure that the ground traces of external components do not cause variations on the ground voltage. The ground lines must be as short and thick as possible to reduce line impedance.

### 5. Thermal Consideration

Should by any chance the maximum junction temperature rating be exceeded the rise in temperature of the chip may result in deterioration of the properties of the chip. In case of exceeding this absolute maximum rating, increase the board size and copper area to prevent exceeding the maximum junction temperature rating.

### 6. Recommended Operating Conditions

These conditions represent a range within which the expected characteristics of the IC can be approximately obtained. The electrical characteristics are guaranteed under the conditions of each parameter.

### 7. Inrush Current

When power is first supplied to the IC, it is possible that the internal logic may be unstable and inrush current may flow instantaneously due to the internal powering sequence and delays, especially if the IC has more than one power supply. Therefore, give special consideration to power coupling capacitance, power wiring, width of ground wiring, and routing of connections.

### 8. Operation Under Strong Electromagnetic Field

Operating the IC in the presence of a strong electromagnetic field may cause the IC to malfunction.

### 9. Testing on Application Boards

When testing the IC on an application board, connecting a capacitor directly to a low-impedance output pin may subject the IC to stress. Always discharge capacitors completely after each process or step. The IC's power supply should always be turned off completely before connecting or removing it from the test setup during the inspection process. To prevent damage from static discharge, ground the IC during assembly and use similar precautions during transport and storage.

### 10. Inter-pin Short and Mounting Errors

Ensure that the direction and position are correct when mounting the IC on the PCB. Incorrect mounting may result in damaging the IC. Avoid nearby pins being shorted to each other especially to ground, power supply and output pin. Inter-pin shorts could be due to many reasons such as metal particles, water droplets (in very humid environment) and unintentional solder bridge deposited in between pins during assembly to name a few.

### 11. Unused Input Pins

Input pins of an IC are often connected to the gate of a MOS transistor. The gate has extremely high impedance and extremely low capacitance. If left unconnected, the electric field from the outside can easily charge it. The small charge acquired in this way is enough to produce a significant effect on the conduction through the transistor and cause unexpected operation of the IC. So unless otherwise specified, unused input pins should be connected to the power supply or ground line.

## Operational Notes – continued

**12. Regarding the Input Pin of the IC**

This monolithic IC contains P+ isolation and P substrate layers between adjacent elements in order to keep them isolated. P-N junctions are formed at the intersection of the P layers with the N layers of other elements, creating a parasitic diode or transistor. For example (refer to figure below):

When  $GND > Pin A$  and  $GND > Pin B$ , the P-N junction operates as a parasitic diode.

When  $GND > Pin B$ , the P-N junction operates as a parasitic transistor.

Parasitic diodes inevitably occur in the structure of the IC. The operation of parasitic diodes can result in mutual interference among circuits, operational faults, or physical damage. Therefore, conditions that cause these diodes to operate, such as applying a voltage lower than the GND voltage to an input pin (and thus to the P substrate) should be avoided.

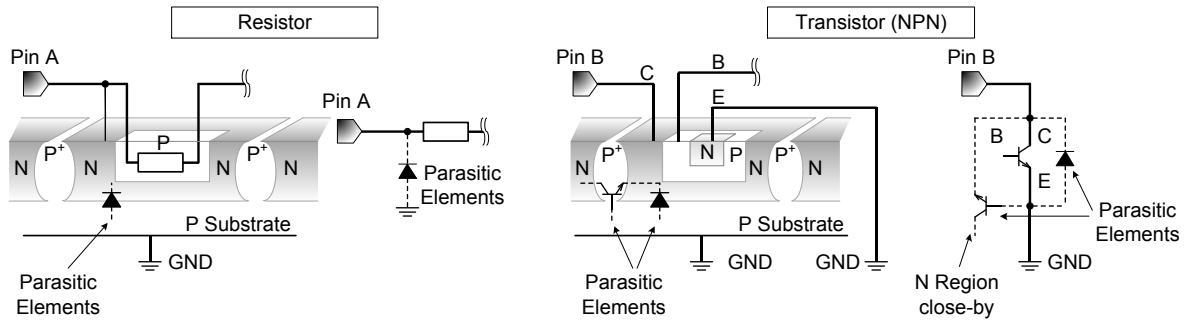


Figure 52. Example of monolithic IC structure

**13. Ceramic Capacitor**

When using a ceramic capacitor, determine the dielectric constant considering the change of capacitance with temperature and the decrease in nominal capacitance due to DC bias and others.

**14. Area of Safe Operation (ASO)**

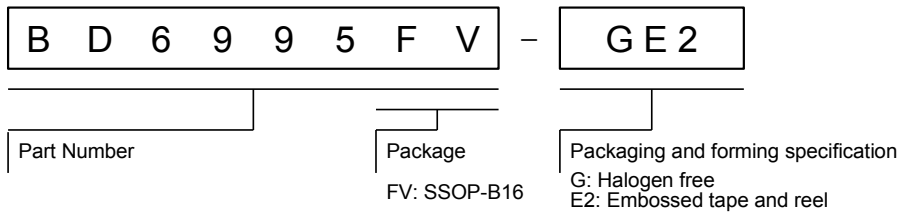
Operate the IC such that the output voltage, output current, and power dissipation are all within the Area of Safe Operation (ASO).

**15. Thermal Shutdown Circuit(TSD)**

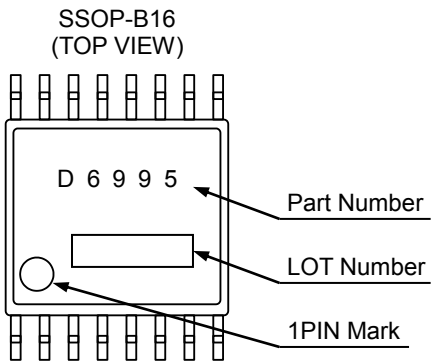
This IC has a built-in thermal shutdown circuit that prevents heat damage to the IC. Normal operation should always be within the IC's maximum junction temperature rating. If however the rating is exceeded for a continued period, the junction temperature ( $T_j$ ) will rise which will activate the TSD circuit that will turn OFF all output pins. When the  $T_j$  falls below the TSD threshold, the circuits are automatically restored to normal operation.

Note that the TSD circuit operates in a situation that exceeds the absolute maximum ratings and therefore, under no circumstances, should the TSD circuit be used in a set design or for any purpose other than protecting the IC from heat damage.

Ordering Information

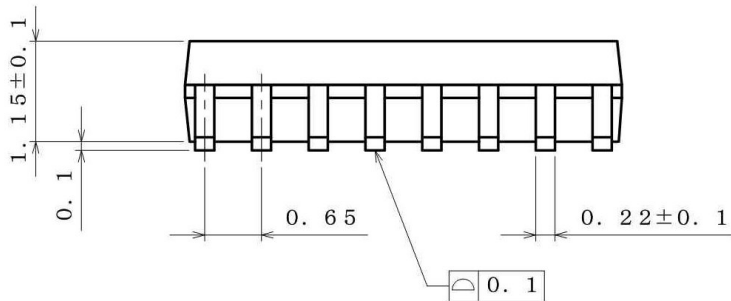
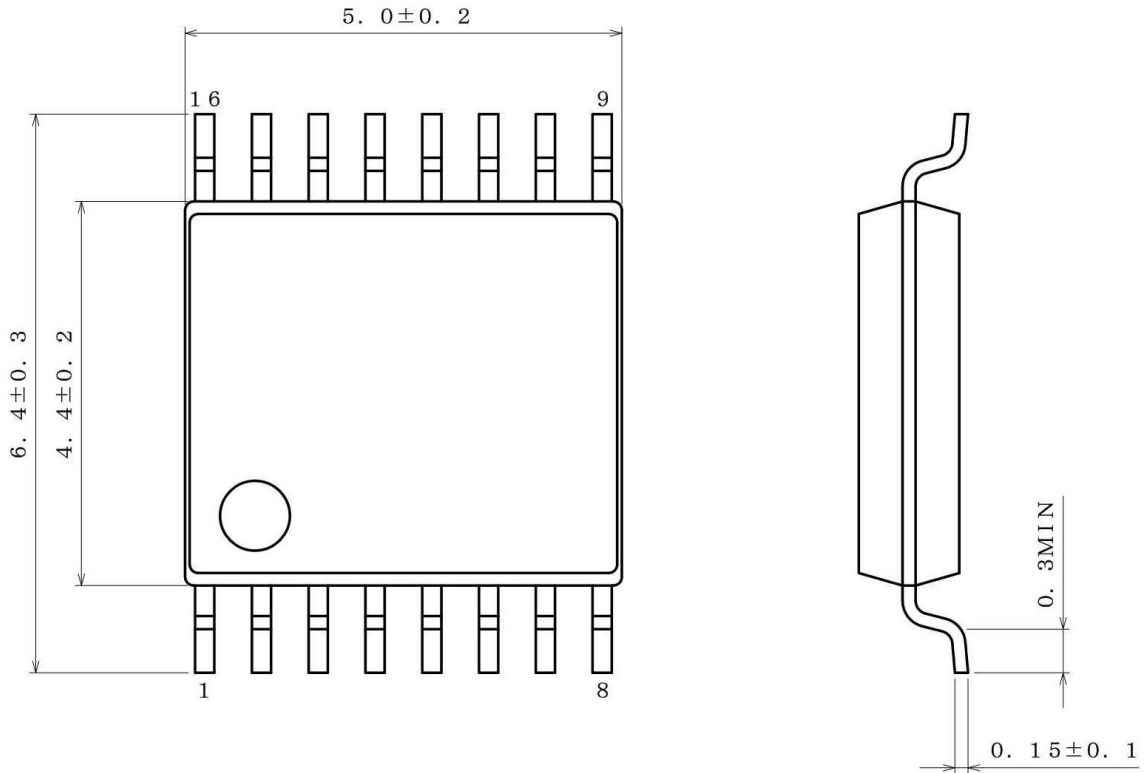


Marking Diagrams



Physical Dimension, Tape and Reel Information

Package Name	SSOP-B16
--------------	----------



(UNIT : mm)  
 PKG : SSOP-B16  
 Drawing No. B0771

**<Tape and Reel information>**

Tape	Embossed carrier tape
Quantity	2500pcs
Direction of feed	E2 ( The direction is the 1pin of product is at the upper left when you hold reel on the left hand and you pull out the tape on the right hand )

Reel → 1pin → Direction of feed →

\*Order quantity needs to be multiple of the minimum quantity.



**Revision History**

Date	Revision	Changes
24.Jun.2016	001	New Release

# Notice

## Precaution on using ROHM Products

- Our Products are designed and manufactured for application in ordinary electronic equipments (such as AV equipment, OA equipment, telecommunication equipment, home electronic appliances, amusement equipment, etc.). If you intend to use our Products in devices requiring extremely high reliability (such as medical equipment <sup>(Note 1)</sup>, transport equipment, traffic equipment, aircraft/spacecraft, nuclear power controllers, fuel controllers, car equipment including car accessories, safety devices, etc.) and whose malfunction or failure may cause loss of human life, bodily injury or serious damage to property ("Specific Applications"), please consult with the ROHM sales representative in advance. Unless otherwise agreed in writing by ROHM in advance, ROHM shall not be in any way responsible or liable for any damages, expenses or losses incurred by you or third parties arising from the use of any ROHM's Products for Specific Applications.

(Note1) Medical Equipment Classification of the Specific Applications

JAPAN	USA	EU	CHINA
CLASS III	CLASS III	CLASS II b	CLASS III
CLASS IV		CLASS III	

- ROHM designs and manufactures its Products subject to strict quality control system. However, semiconductor products can fail or malfunction at a certain rate. Please be sure to implement, at your own responsibilities, adequate safety measures including but not limited to fail-safe design against the physical injury, damage to any property, which a failure or malfunction of our Products may cause. The following are examples of safety measures:
  - Installation of protection circuits or other protective devices to improve system safety
  - Installation of redundant circuits to reduce the impact of single or multiple circuit failure
- Our Products are designed and manufactured for use under standard conditions and not under any special or extraordinary environments or conditions, as exemplified below. Accordingly, ROHM shall not be in any way responsible or liable for any damages, expenses or losses arising from the use of any ROHM's Products under any special or extraordinary environments or conditions. If you intend to use our Products under any special or extraordinary environments or conditions (as exemplified below), your independent verification and confirmation of product performance, reliability, etc. prior to use, must be necessary:
  - Use of our Products in any types of liquid, including water, oils, chemicals, and organic solvents
  - Use of our Products outdoors or in places where the Products are exposed to direct sunlight or dust
  - Use of our Products in places where the Products are exposed to sea wind or corrosive gases, including Cl<sub>2</sub>, H<sub>2</sub>S, NH<sub>3</sub>, SO<sub>2</sub>, and NO<sub>2</sub>
  - Use of our Products in places where the Products are exposed to static electricity or electromagnetic waves
  - Use of our Products in proximity to heat-producing components, plastic cords, or other flammable items
  - Sealing or coating our Products with resin or other coating materials
  - Use of our Products without cleaning residue of flux (even if you use no-clean type fluxes, cleaning residue of flux is recommended); or Washing our Products by using water or water-soluble cleaning agents for cleaning residue after soldering
  - Use of the Products in places subject to dew condensation
- The Products are not subject to radiation-proof design.
- Please verify and confirm characteristics of the final or mounted products in using the Products.
- In particular, if a transient load (a large amount of load applied in a short period of time, such as pulse. is applied, confirmation of performance characteristics after on-board mounting is strongly recommended. Avoid applying power exceeding normal rated power; exceeding the power rating under steady-state loading condition may negatively affect product performance and reliability.
- De-rate Power Dissipation depending on ambient temperature. When used in sealed area, confirm that it is the use in the range that does not exceed the maximum junction temperature.
- Confirm that operation temperature is within the specified range described in the product specification.
- ROHM shall not be in any way responsible or liable for failure induced under deviant condition from what is defined in this document.

## Precaution for Mounting / Circuit board design

- When a highly active halogenous (chlorine, bromine, etc.) flux is used, the residue of flux may negatively affect product performance and reliability.
- In principle, the reflow soldering method must be used on a surface-mount products, the flow soldering method must be used on a through hole mount products. If the flow soldering method is preferred on a surface-mount products, please consult with the ROHM representative in advance.

For details, please refer to ROHM Mounting specification

### Precautions Regarding Application Examples and External Circuits

1. If change is made to the constant of an external circuit, please allow a sufficient margin considering variations of the characteristics of the Products and external components, including transient characteristics, as well as static characteristics.
2. You agree that application notes, reference designs, and associated data and information contained in this document are presented only as guidance for Products use. Therefore, in case you use such information, you are solely responsible for it and you must exercise your own independent verification and judgment in the use of such information contained in this document. ROHM shall not be in any way responsible or liable for any damages, expenses or losses incurred by you or third parties arising from the use of such information.

### Precaution for Electrostatic

This Product is electrostatic sensitive product, which may be damaged due to electrostatic discharge. Please take proper caution in your manufacturing process and storage so that voltage exceeding the Products maximum rating will not be applied to Products. Please take special care under dry condition (e.g. Grounding of human body / equipment / solder iron, isolation from charged objects, setting of Ionizer, friction prevention and temperature / humidity control).

### Precaution for Storage / Transportation

1. Product performance and soldered connections may deteriorate if the Products are stored in the places where:
  - [a] the Products are exposed to sea winds or corrosive gases, including Cl<sub>2</sub>, H<sub>2</sub>S, NH<sub>3</sub>, SO<sub>2</sub>, and NO<sub>2</sub>
  - [b] the temperature or humidity exceeds those recommended by ROHM
  - [c] the Products are exposed to direct sunshine or condensation
  - [d] the Products are exposed to high Electrostatic
2. Even under ROHM recommended storage condition, solderability of products out of recommended storage time period may be degraded. It is strongly recommended to confirm solderability before using Products of which storage time is exceeding the recommended storage time period.
3. Store / transport cartons in the correct direction, which is indicated on a carton with a symbol. Otherwise bent leads may occur due to excessive stress applied when dropping of a carton.
4. Use Products within the specified time after opening a humidity barrier bag. Baking is required before using Products of which storage time is exceeding the recommended storage time period.

### Precaution for Product Label

A two-dimensional barcode printed on ROHM Products label is for ROHM's internal use only.

### Precaution for Disposition

When disposing Products please dispose them properly using an authorized industry waste company.

### Precaution for Foreign Exchange and Foreign Trade act

Since concerned goods might be fallen under listed items of export control prescribed by Foreign exchange and Foreign trade act, please consult with ROHM in case of export.

### Precaution Regarding Intellectual Property Rights

1. All information and data including but not limited to application example contained in this document is for reference only. ROHM does not warrant that foregoing information or data will not infringe any intellectual property rights or any other rights of any third party regarding such information or data.
2. ROHM shall not have any obligations where the claims, actions or demands arising from the combination of the Products with other articles such as components, circuits, systems or external equipment (including software).
3. No license, expressly or implied, is granted hereby under any intellectual property rights or other rights of ROHM or any third parties with respect to the Products or the information contained in this document. Provided, however, that ROHM will not assert its intellectual property rights or other rights against you or your customers to the extent necessary to manufacture or sell products containing the Products, subject to the terms and conditions herein.

### Other Precaution

1. This document may not be reprinted or reproduced, in whole or in part, without prior written consent of ROHM.
2. The Products may not be disassembled, converted, modified, reproduced or otherwise changed without prior written consent of ROHM.
3. In no event shall you use in any way whatsoever the Products and the related technical information contained in the Products or this document for any military purposes, including but not limited to, the development of mass-destruction weapons.
4. The proper names of companies or products described in this document are trademarks or registered trademarks of ROHM, its affiliated companies or third parties.

**General Precaution**

1. Before you use our Products, you are requested to carefully read this document and fully understand its contents. ROHM shall not be in any way responsible or liable for failure, malfunction or accident arising from the use of any ROHM's Products against warning, caution or note contained in this document.
2. All information contained in this document is current as of the issuing date and subject to change without any prior notice. Before purchasing or using ROHM's Products, please confirm the latest information with a ROHM sales representative.
3. The information contained in this document is provided on an "as is" basis and ROHM does not warrant that all information contained in this document is accurate and/or error-free. ROHM shall not be in any way responsible or liable for any damages, expenses or losses incurred by you or third parties resulting from inaccuracy or errors of or concerning such information.