

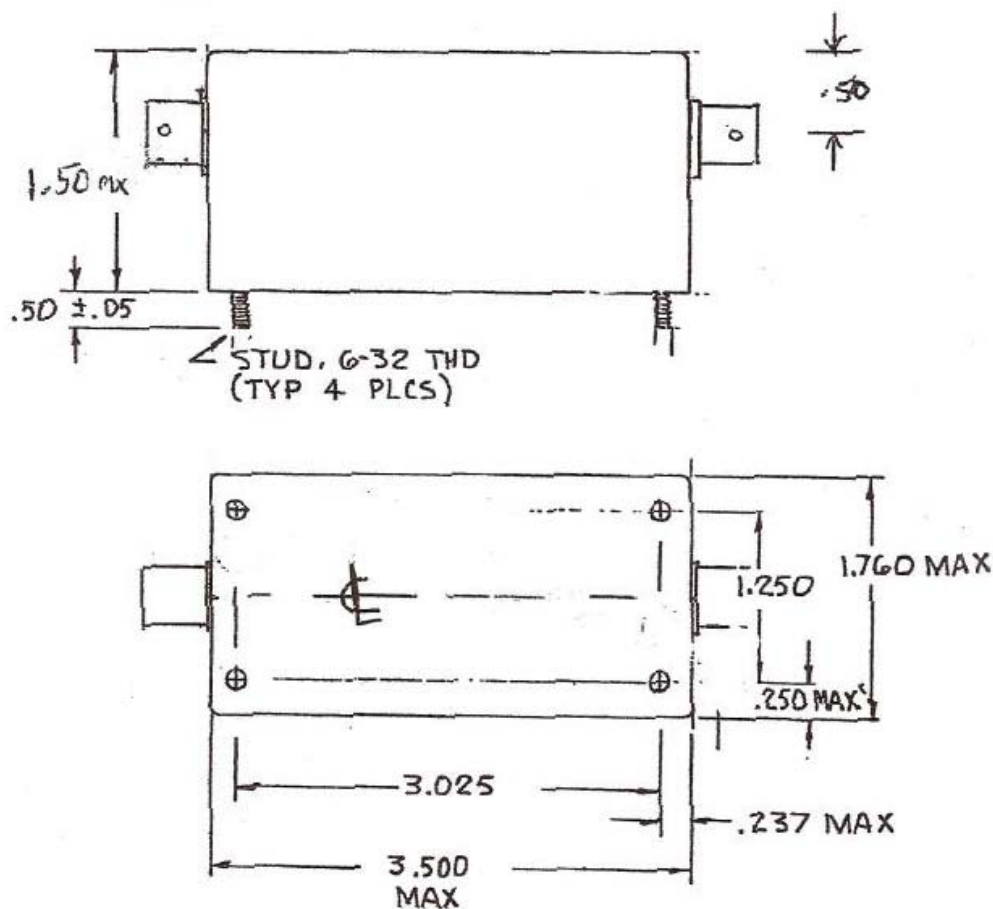


2.1 MHz Crystal Bandpass Filter

Part Number: AM2.1CR309

Center frequency:	2.1 MHz
3dB BW:	<=2KHz
Insertion loss:	<=6 dB
Ultimate rejection BW:	20 KHz
Ultimate rejection:	50 dB
Impedance:	50 ohms
Connection:	BNC

Outline Drawing:





2.1 MHz Crystal Bandpass Filter

Part Number: AM2.1CR309

Response Plot:

