

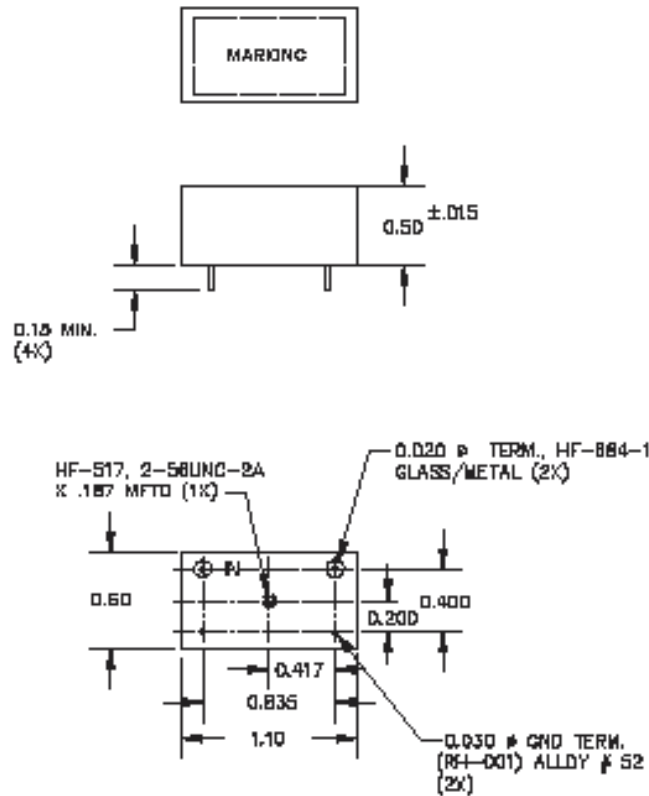


**Crystal Bandpass Filter**

**Part Number: AM121.5CR164**

|                             |  |
|-----------------------------|--|
| Center Frequency:           | 121.5MHz   |
| 3 dBc Band Width:           | +/-50KHz min   |
| Insertion Loss:             | 6.0dB max  |
| Pass Band Return Loss @ Fo: | -10dB min  |
| Pass Band Ripple:           | 1.0dB max  |
| 30 dBc Bandwidth:           | +/-100KHz max  |
| 45 dBc:                     | +/-130KHz max  |
| Input Power:                | 0dBm(+10dB goal)<br>10dBm without damage, 0dBm operating |
| Operating Temperature:      | -20 deg C to +70 deg C                                   |
| Impedance:                  | 50 Ohms  |

**Outline Drawing:**





**Crystal Bandpass Filter**

**Part Number: AM121.5CR164**

**Response Plot:**

