



Electrical Specifications

Center Frequency: 10 MHz
3.0 dB BW: CF +/- 5 KHz Min
60 dB BW: CF +/- 100 KHz Max
Ultimate Attenuation Up to 1.5 GHz: 60 dB Min
Insertion Loss @ CF: 3.5 dB Max
Return Loss @ CF: 15 dB Min
In/Out Impedance: 50 Ohms
Input Handling: 10 mW

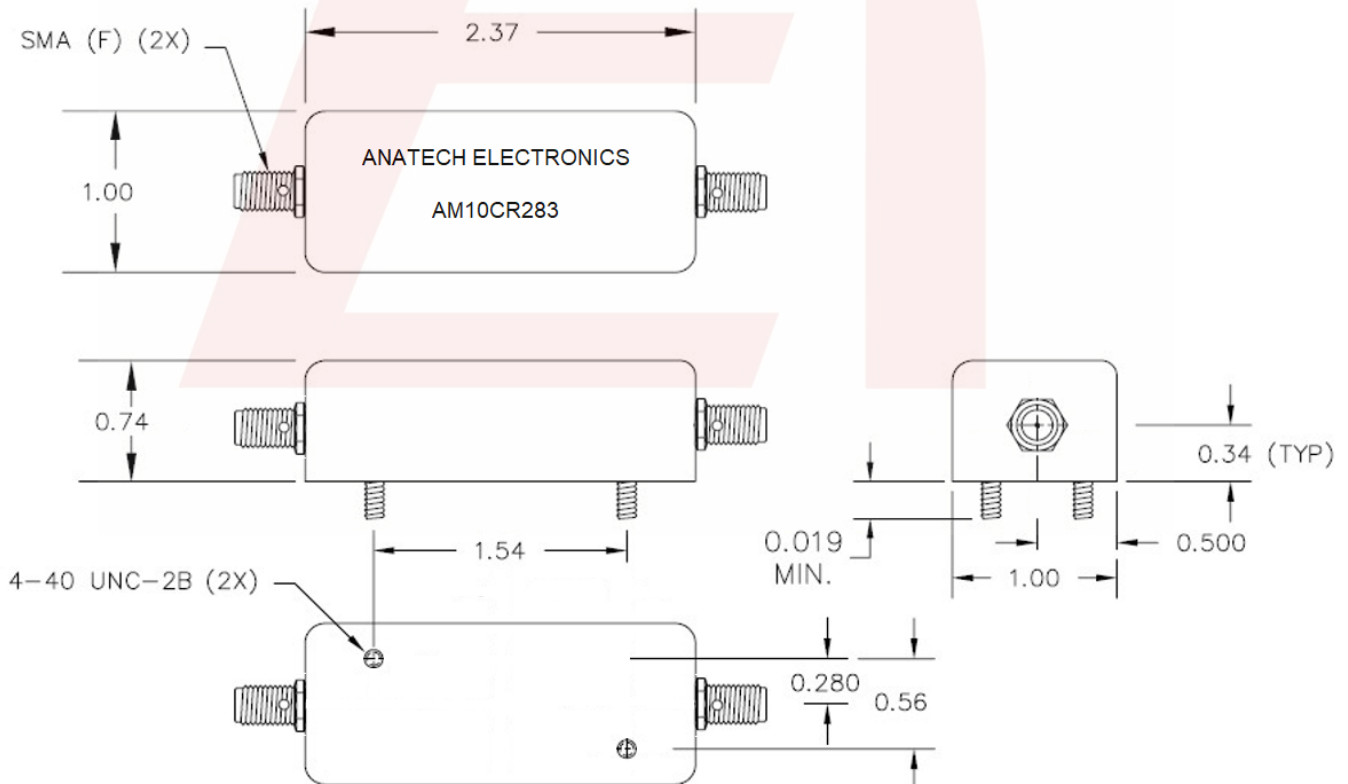
Mechanical

Connector Type: SMA Female
Dimensions: 2.37 x 1.00 x 0.74 in.

Environmental

Operating Temperature: -40°C to +80°C
Storage Temperature: -55°C to +100°C
Shock: 20 G. 11ms
Vibration: 20 G. 5 to 200 Hz

Outline Drawing:





ANATECH ELECTRONICS INC
RF & Microwave Filters & Products

10 MHz Crystal Band Pass Filter

Part Number: AM10CR283



Response Plot (Reference Only):

