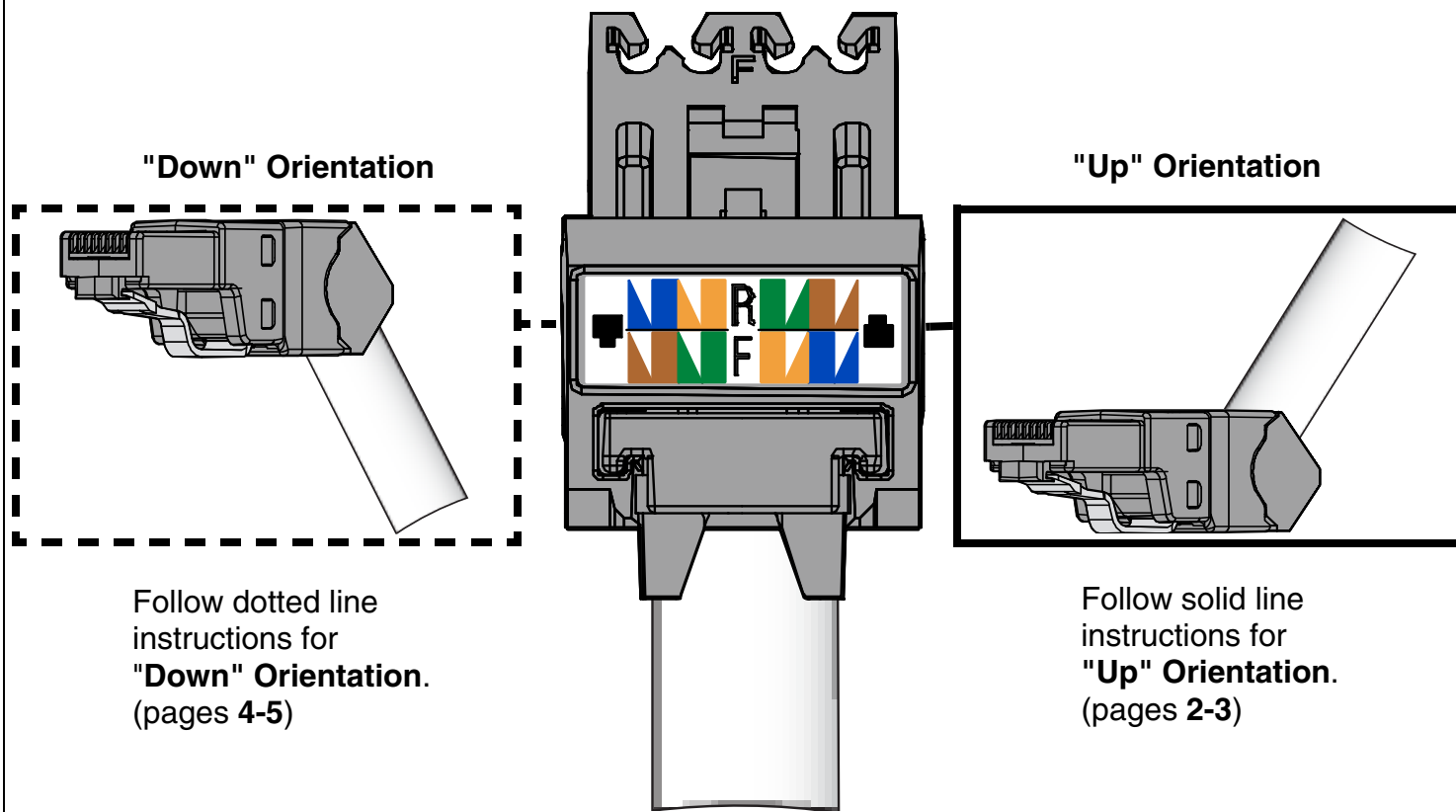
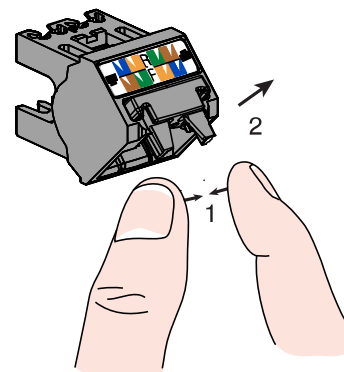
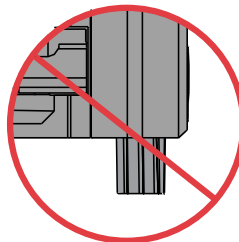
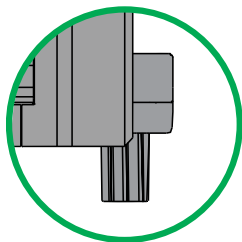


Understanding the Label

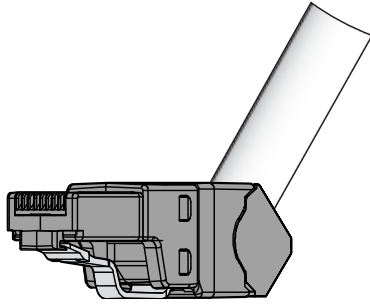
IMPORTANT! Determine the desired cable direction **before** wiring the cap. The cap orientation, in relation to the plug, **must** be kept consistent throughout the entire termination.



IMPORTANT!
Be sure that strain relief is fully retracted before inserting cable.

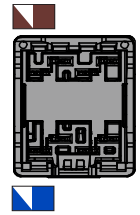
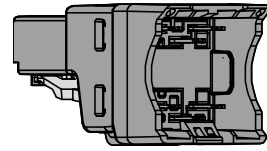


"Up" Orientation

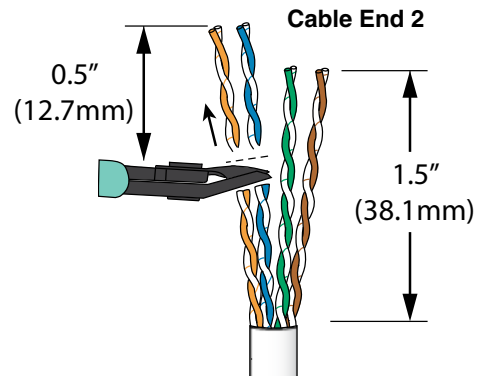
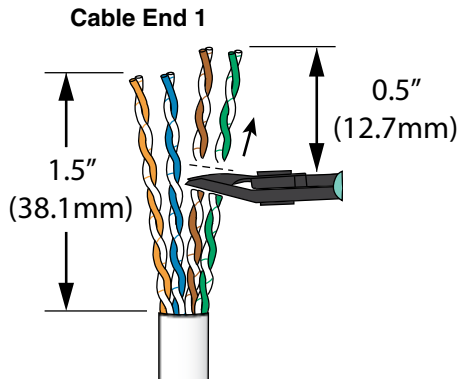


IMPORTANT!

The Brown/White & Blue/White wire pairs will always connect to the positions shown in the plug housing.

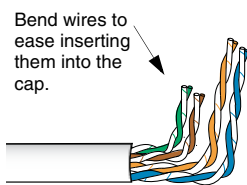


1



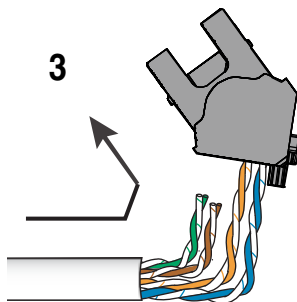
Do not pre-arrange conductors.

2

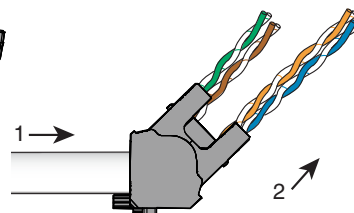


Bend wires to ease inserting them into the cap.

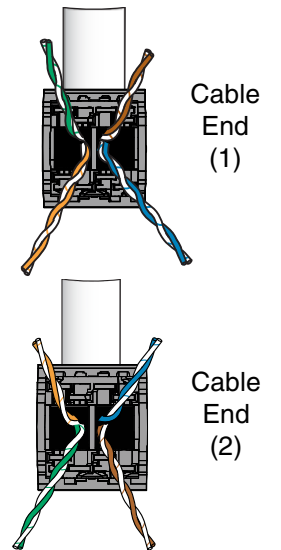
3



4

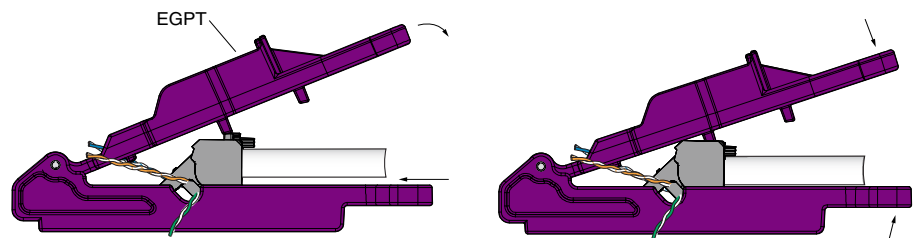
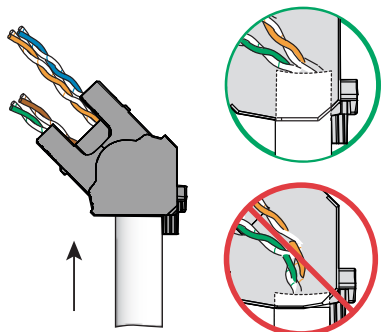


Cable End 1 Shown



5

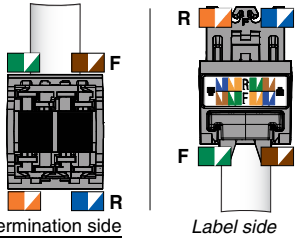
Be sure cable is fully inserted into wire cap



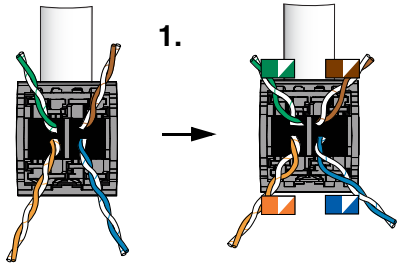
Cable End 1 Shown

"Up" Orientation

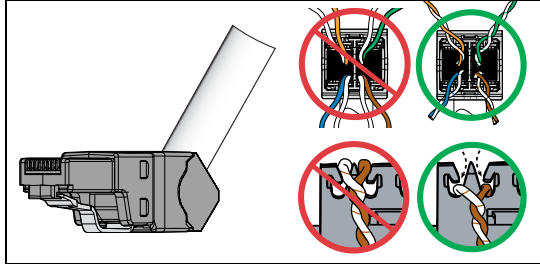
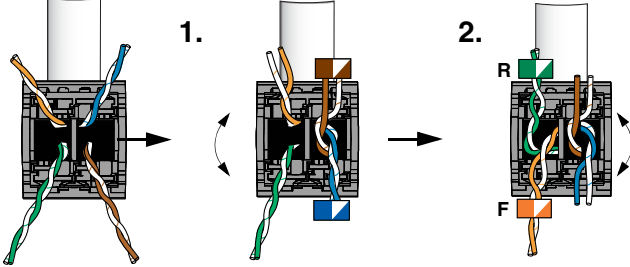
6 T568B Wiring



Cable End 1

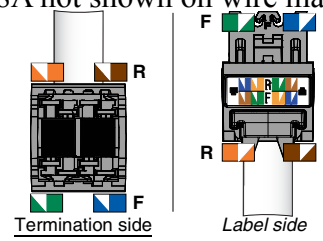


Cable End 2

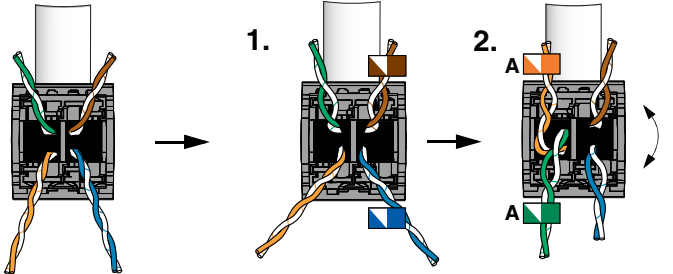


T568A Wiring

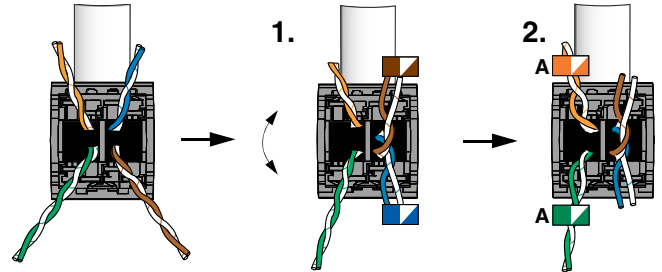
(T568A not shown on wire map label)



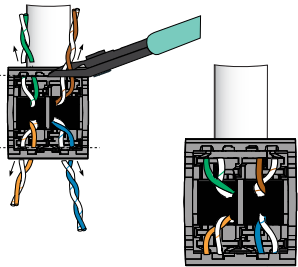
Cable End 1



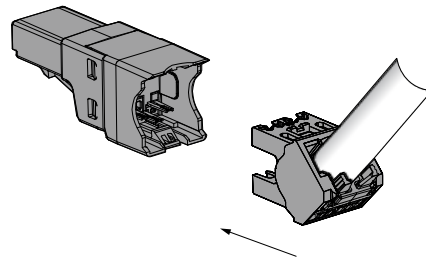
Cable End 2



7

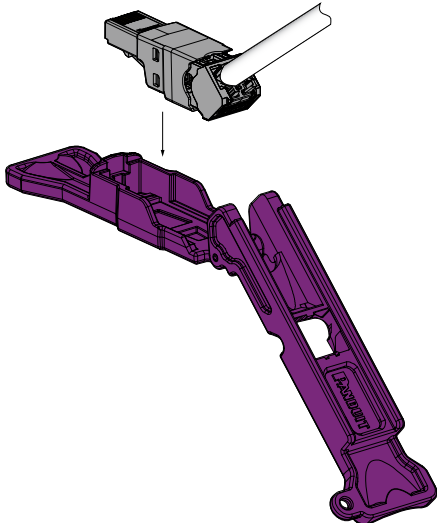


8

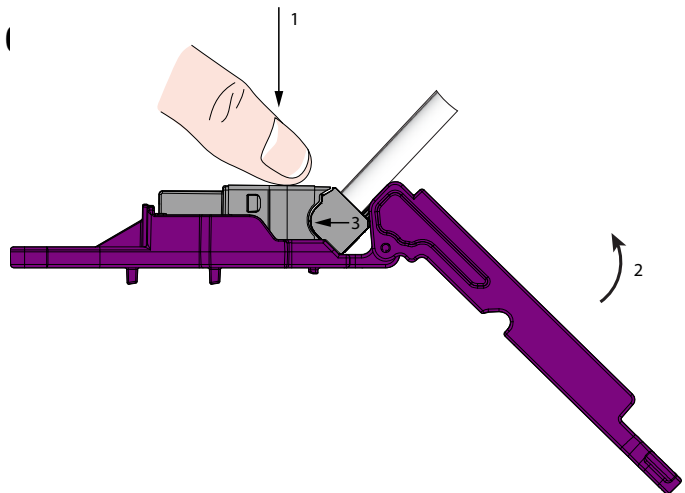


Important!
Maintain orientation of cap in relation to jack from previous steps.

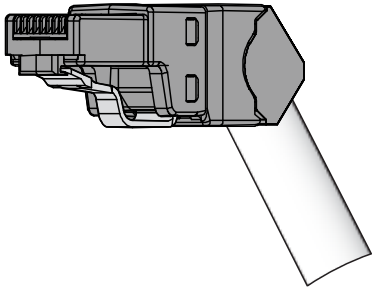
9



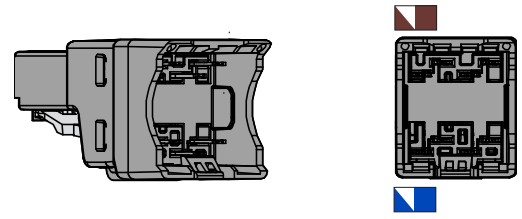
10



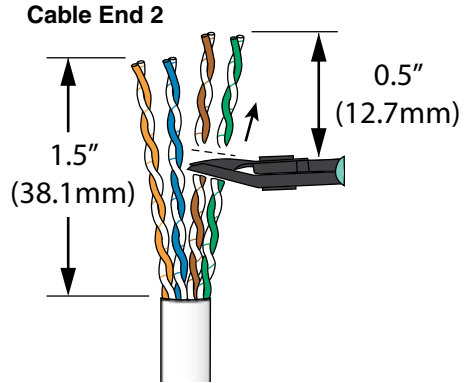
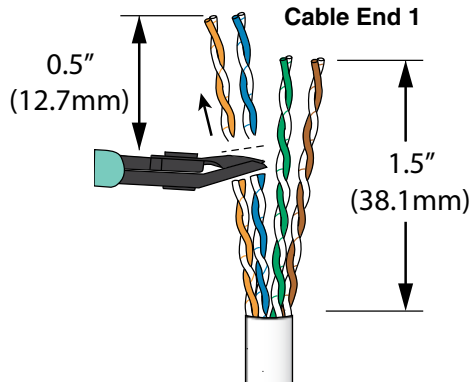
"Down" Orientation



IMPORTANT!
The Brown/White & Blue/White wire pairs will always connect to the positions shown in the plug housing.

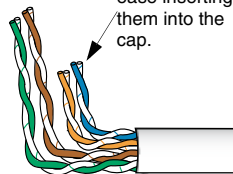


1



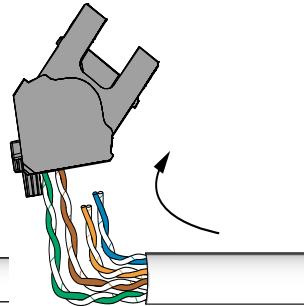
Do not pre-arrange conductors.

2

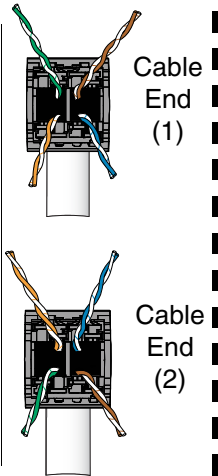
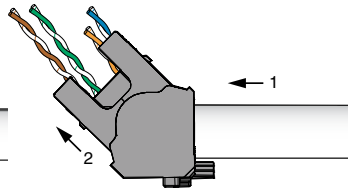


Bend wires to ease inserting them into the cap.

3



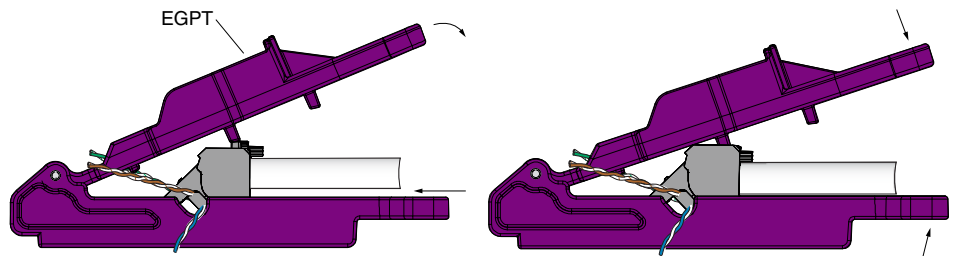
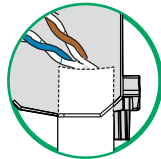
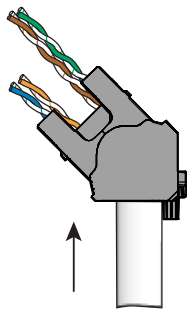
4



Cable End 1 Shown

5

Be sure cable is fully inserted into wire cap

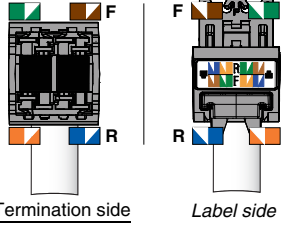


Cable End 1 Shown

"Down" Orientation

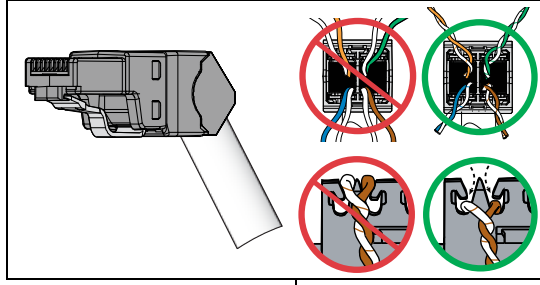
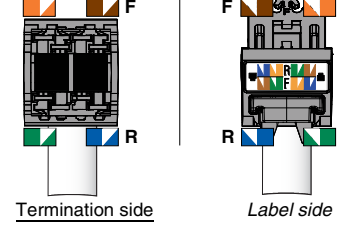
6

T568B Wiring

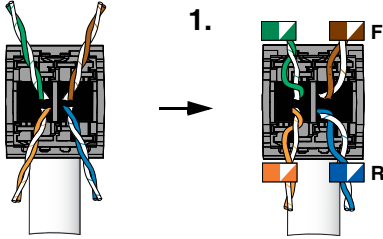


T568A Wiring

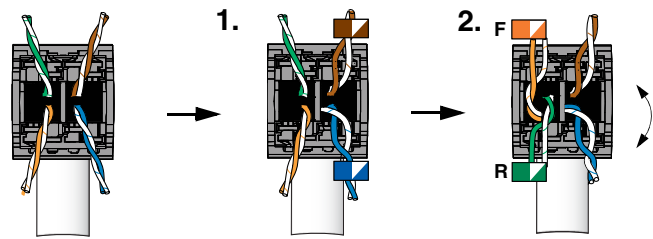
(T568A not shown on wire map label)



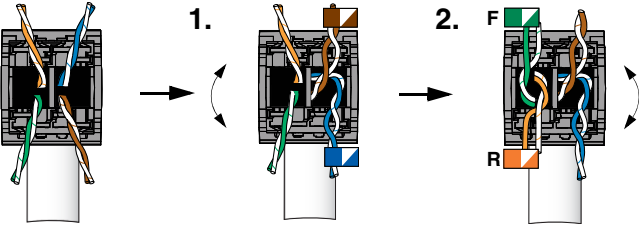
Cable End 1



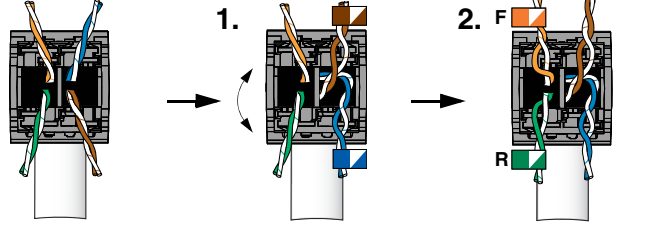
Cable End 1



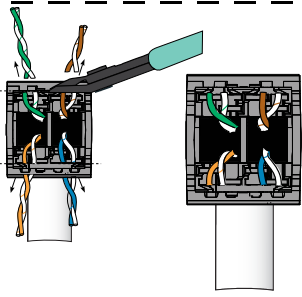
Cable End 2



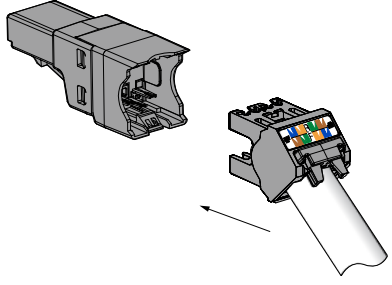
Cable End 2



7

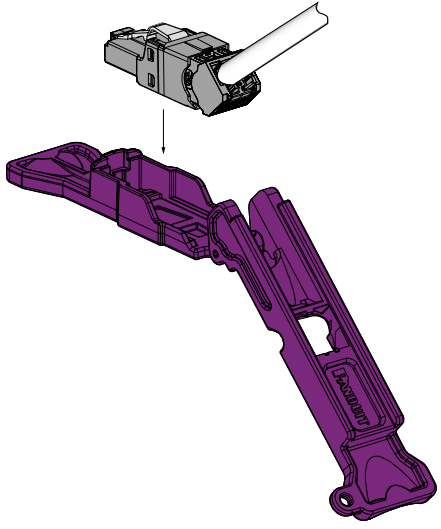


8

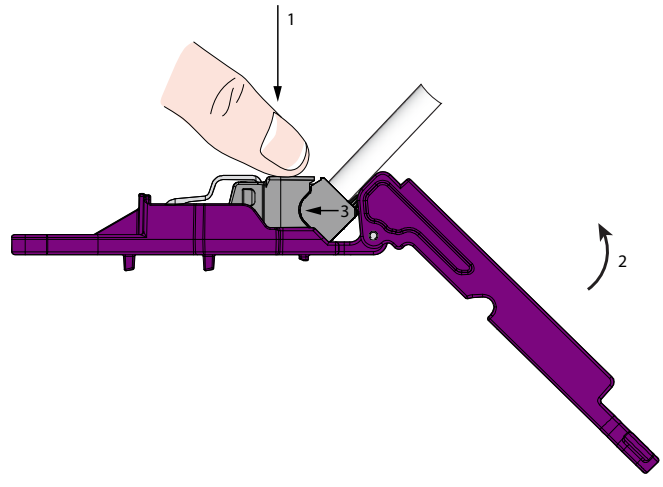


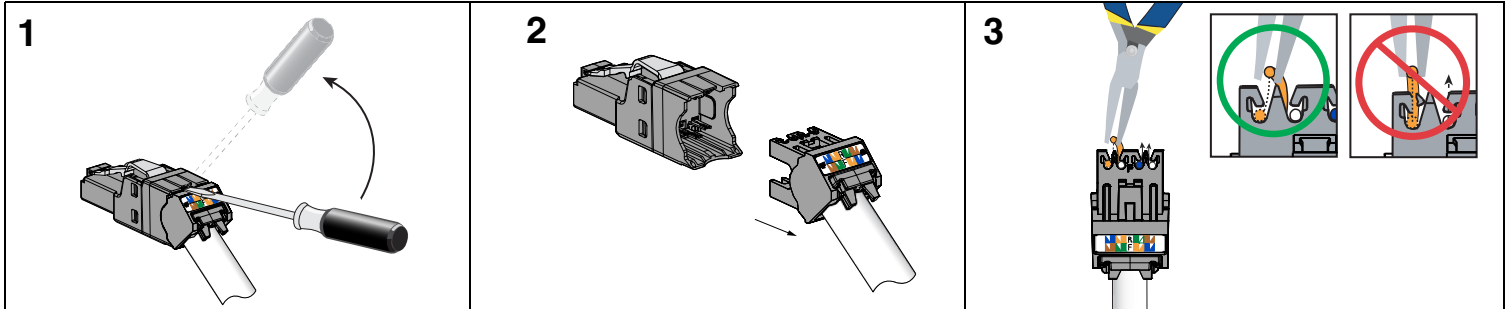
Important!
Maintain orientation of cap in relation to jack from previous steps.

9



10



REMOVAL STEPS**Notes:**

1. For specified performance, follow TIA/EIA 568-C installation guidelines.
2. Jack Modules can terminate 22-26 AWG solid data cable with 0.062" (1.57mm) maximum insulated conductor outside diameter.
3. Jack Modules may be re-terminated at least 20 times.
4. For technical and performance information, consult Panduit Technical Support.

As with all Wiring Accessories, the following statements apply:

1. Never install communications wiring during a lightning storm.
2. Never install communications wiring in wet locations unless the jack is specifically designed for use in wet locations.
3. Never touch uninsulated communications wiring or terminals unless the communication line has been disconnected at the network interface.
4. Use caution when installing or modifying communication wiring.

For Instructions in Local Languages
and Technical Support:

www.panduit.com/resources/install_maintain.asp

PANDUIT

www.panduit.com

E-mail:
techsupport@panduit.com

Phone:
866-405-6654