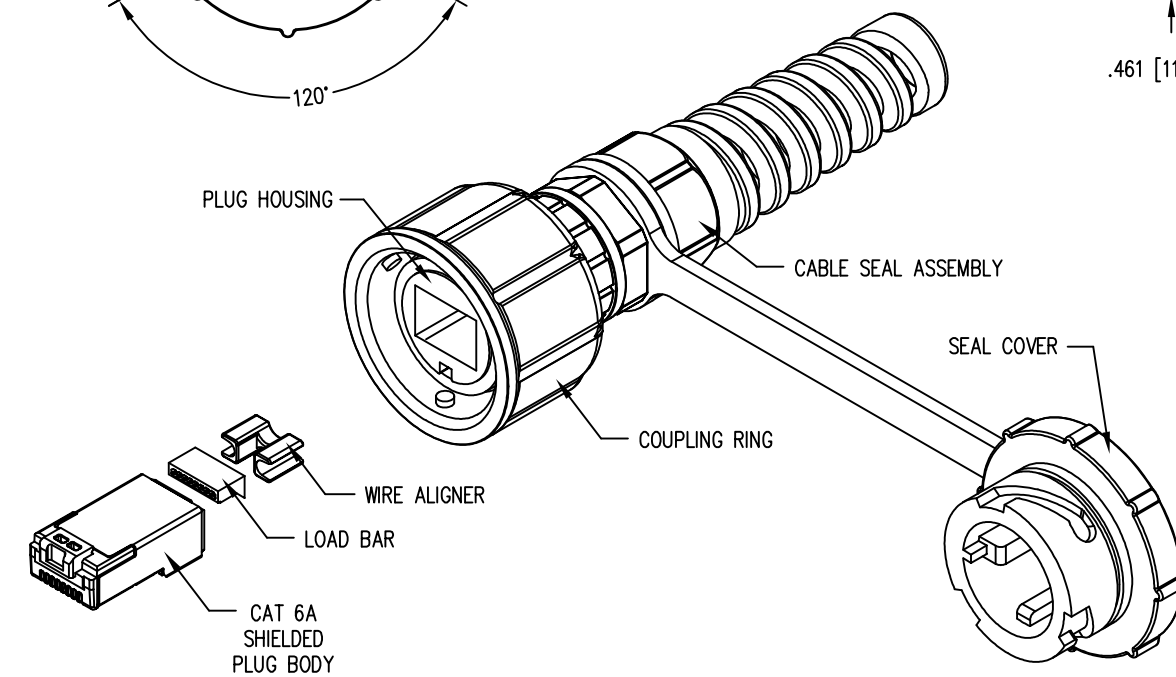
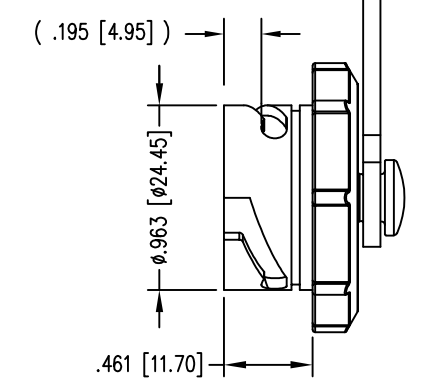
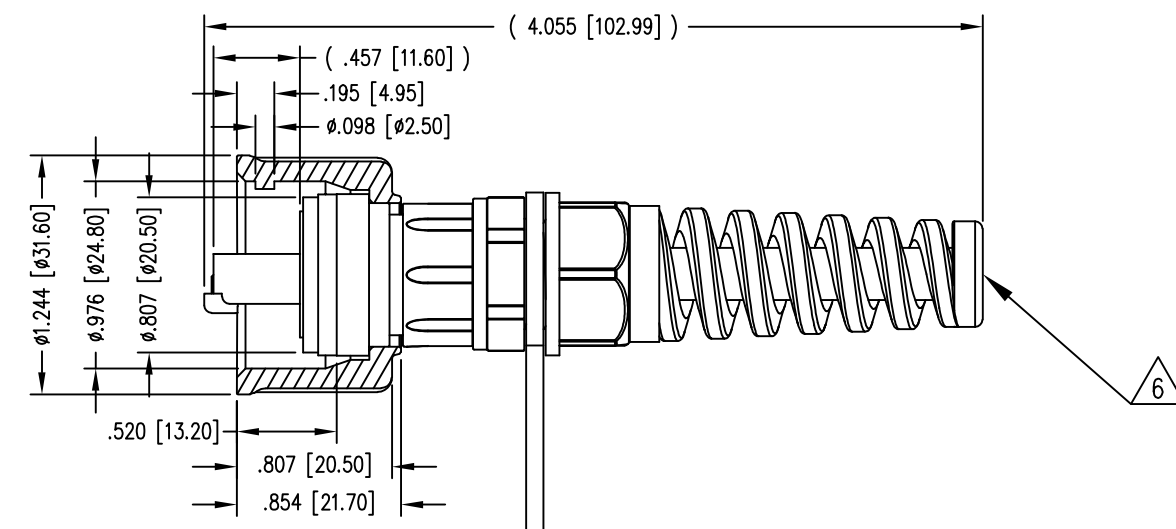
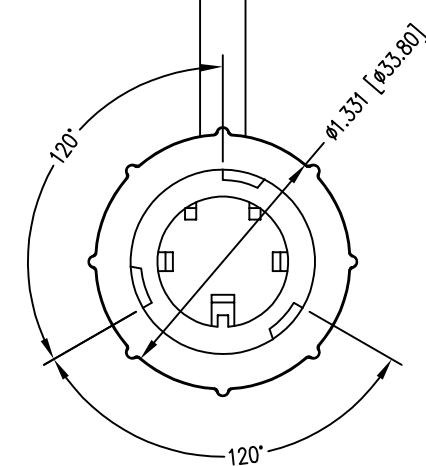
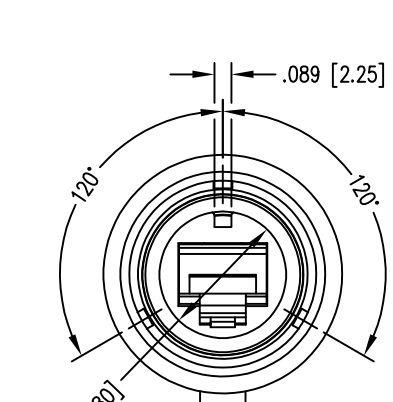


DATE	REV	ECN	APP'D. BY
09-09-20	A0	-	JME
09-23-20	A1	11621	BTS



- NOTES:
- MATERIALS:
 PLUG BODY: POLYCARBONATE UL94 V-0, COLOR: CLEAR
 PLUG HOUSING: HIGH IMPACT PLASTIC UL94 V-0, COLOR: BLACK
 WIRE ALIGNER: POLYCARBONATE UL94 V-0, COLOR: CLEAR
 LOAD BAR: POLYCARBONATE UL94 V-0, COLOR: CLEAR
 CONTACTS: COPPER ALLOY
 CONTACT PLATING: SELECTIVE GOLD OR EQUIVALENT IN THE CONTACT AREA
 SEE CHART FOR PART NUMBER
 SHIELD: COPPER ALLOY, NICKEL PLATE
 - CONTACTS TERMINATE SOLID OR STRANDED CONDUCTORS BETWEEN .033 [0.84] TO .038 [0.96] OUTSIDE DIAMETER OF INSULATION.
 - PLUG DIMENSIONS AND TOLERANCES COMPLY WITH TIA-1096 STANDARD.
 - DESIGNED FOR CATEGORY 6A APPLICATIONS.
 - INTERNATIONAL PROTECTION CODE MEETS IP67.
 - FOR $\phi 0.177$ [4.5] MIN. - $\phi 0.307$ [7.8] MAX. CABLE

SHIELDED	50 MICRO-INCHES [1.27um]	SS-39400-008
PLUG TYPE	CONTACT PLATING IN MATING AREA	PART NUMBER

THIRD ANGLE PROJECTION		1118 Susquehanna Trail South Glen Rock, PA 17327-9199 (717) 235-7512 http://www.stewartconnector.com	
DO NOT SCALE DRAWING DRAWING IS SUBJECT TO CHANGE WITHOUT NOTICE		TITLE: INDUSTRIAL PLUG IP67 (FTP) CAT 6A WITH PLASTIC HOUSING AND SHIELDED PLASTIC HOUSING	
DIMENSIONS: INCHES [METRIC]	THIS DRAWING AND THE SUBJECT MATTER SHOWN THEREON ARE CONFIDENTIAL AND THE PROPRIETARY PROPERTY OF STEWART CONNECTOR AND SHALL NOT BE REPRODUCED, COPIED, OR USED IN ANY MANNER WITHOUT PRIOR WRITTEN CONSENT OF STEWART CONNECTOR. ONE OR MORE U.S. PATENTS MAY APPLY TO THIS PRODUCT. FOR DETAILS, PLEASE VISIT: HTTP://BELFUSE.COM/STEWART/STEWART_PATENTS/	DRN BY: BTS	DATE: 09-08-20
UNLESS OTHERWISE SPECIFIED TOLERANCES ARE ± 0.005 [0.13] ANGLES ARE $\pm 1^\circ$		APPD BY: JME	DATE: 09-09-20
SHEET NO. 1 OF 1		DWG NO. CT390234	REV. A1



B

B

A

A