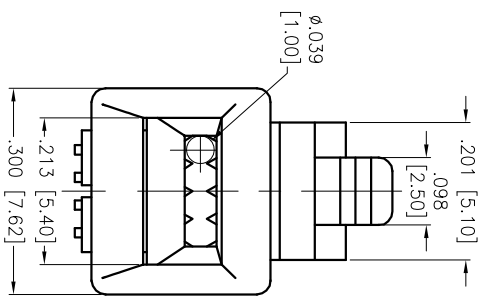
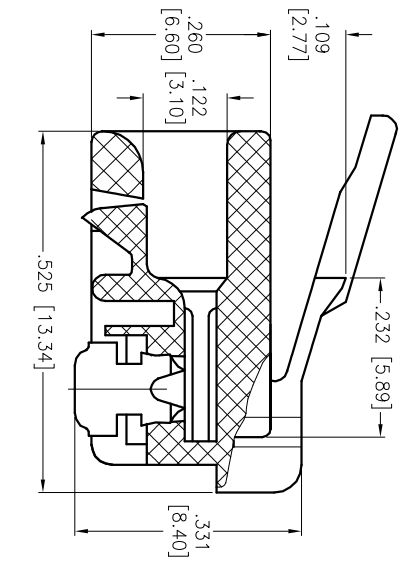
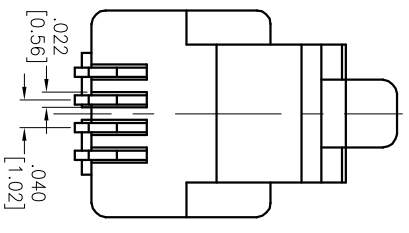
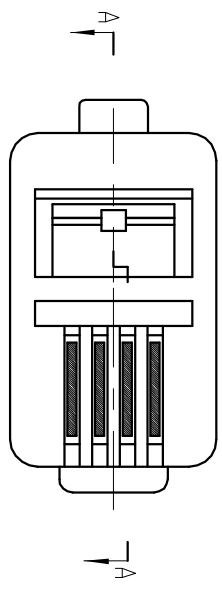


APPROVED: \_\_\_\_\_  
 DATE: \_\_\_\_\_ TITLE: \_\_\_\_\_

Rev	AWO #	Description	Date	Appr
-		RELEASED	10/4/04	
A		REDRAWN	10/23/12	



"X"	PLATING
X	Gold flash
U	15 μin Gold
W	30 μin Gold
G	50 μin Gold

**SPECIFICATIONS:**

Material: Polycarbonate, rated UL 94V-0  
 Insulator color: Clear  
 Contacts: Phosphor Bronze  
 Plating: Gold over Nickel underplate on contact area  
 Electrical: Insulation resistance: 1,000 Mohms min  
 Dielectric withstanding voltage: 1,000 VAC for 1 minute  
 Environmental: Lead free, RoHS compliant



UNLESS OTHERWISE SPECIFIED ALL DIMENSIONS ARE INCHES [MM]	
TOLERANCES: EXCEPT AS NOTED	
INCHES	
.X ± .10	ØX ± .10
.XX ± .020	ØXX ± .015
.XXX ± .015	ØXXX ± .010
APPROVALS	DATE
DRAWN	SS
CHECKED	
APPROVED	

**ADAM TECH**  
 909 Railway Avenue, Union, NJ 07083  
 Phone: 908-687-5000 Fax: 908-687-5710

TITLE: MODULAR TELEPHONE PLUG, 4P4C  
 STANDARD OVAL WIRE TYPE

SIZE	PART NO.	REV.
X	MTP-44-X	A
REF:	S0003C	SCALE: NTS
SHEET 1 OF 1		