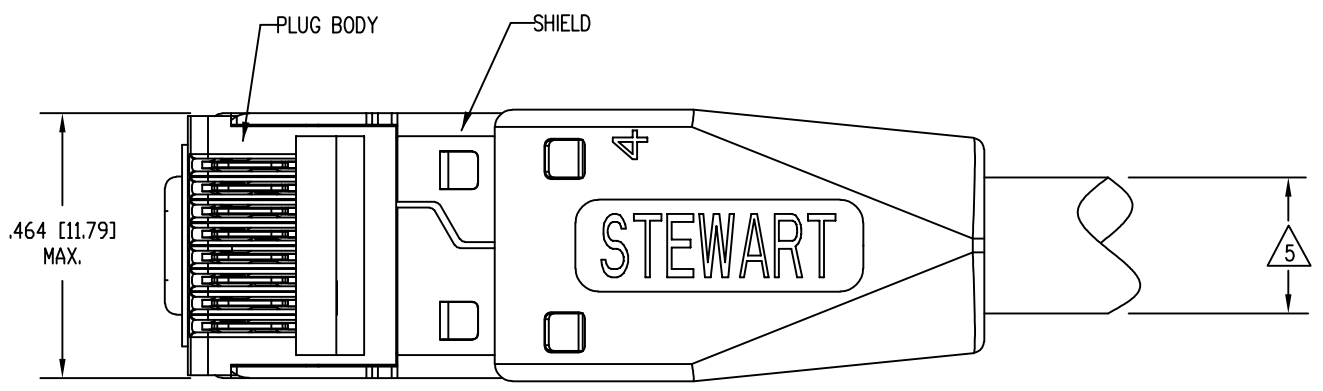
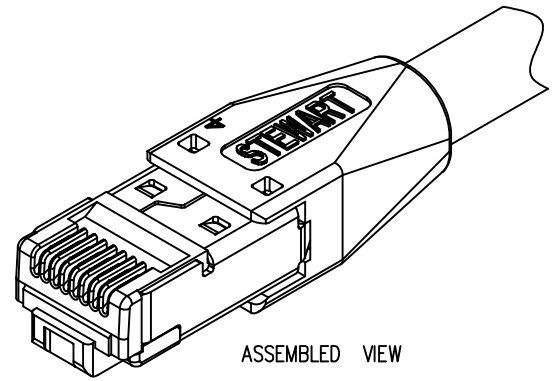
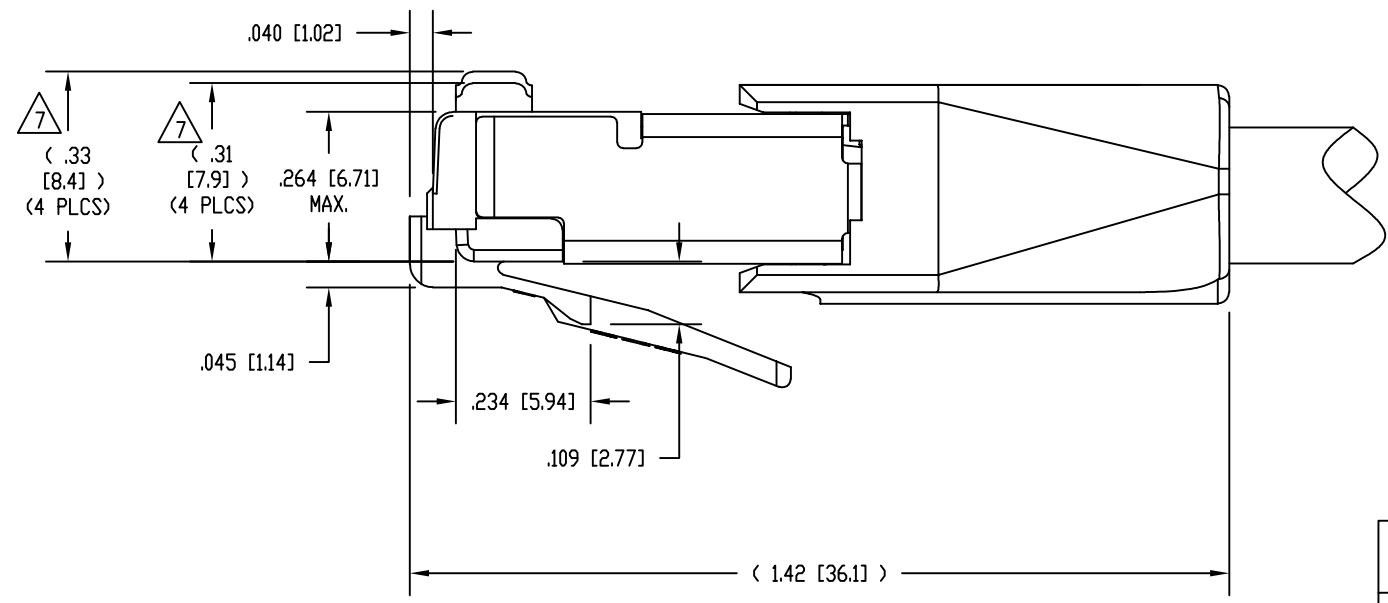
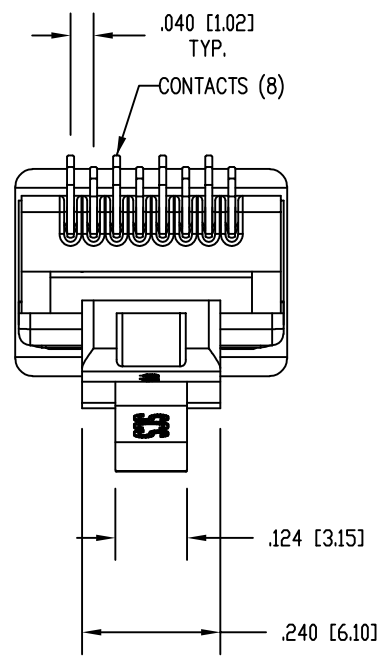


DATE	REV	ECN	APP'D. BY
7-21-15	X0	-	TRM
2-03-17	A0	-	DHG
02-13-19	A1	11345	BTS

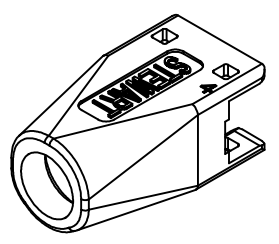


NOTES:

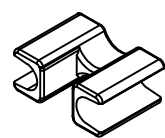
1. PLUG KIT CONSISTS OF:  
PRE-INSERTED PLUG BODY WITH SHIELD  
LOAD BAR  
WIRE ALIGNER  
BOOT
2. MATERIALS:  
PLUG BODY: CLEAR POLYCARBONATE, UL 94-V0  
BOOT : BLACK POLYCARBONATE, UL 94-V0  
WIRE ALIGNER AND LOAD BAR: CLEAR POLYCARBONATE, UL 94-V0  
CONTACTS: COPPER ALLOY, SELECTIVE GOLD PLATING  
SHIELD: COPPER ALLOY, NICKEL PLATE
3. FOR PRODUCT SPECIFICATION SEE PR026-01.
4. CONTACTS TERMINATE SOLID OR STRANDED CONDUCTORS BETWEEN .042 [1.07] TO .048 [1.22] OUTSIDE DIAMETER OF INSULATION.
5. CABLES WITH OUTSIDE NOMINAL DIAMETERS OF .270 [6.86] TO .295 [7.49].
6. DIMENSIONS AND TOLERANCES COMPLY WITH TIA-1096 STANDARD FORMERLY FCC/CFR 47, PART 68.
7. CONTACT HEIGHT BEFORE TERMINATION.  
AFTER TERMINATION, THE CONTACT HEIGHT IS .237 [6.02] ±.005 [0.13].
8. PRODUCT DESIGNED FOR CATEGORY 6 AND 6A APPLICATIONS.
9. PLUG KIT CONSISTS OF 1 EACH SHIELDED PLUG BODY, LOAD BAR, WIRE ALIGNER, AND BOOT, PACKED IN A ZIPPER BAG, BOX OF 25.
10. PLUG KIT CONSISTS OF 1 EACH SHIELDED PLUG BODY, LOAD BAR, WIRE ALIGNER, AND BOOT, PACKED IN A ZIPPER BAG, CARTON OF 200.



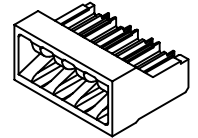
BULK	50 MICRO-INCHES [1.27um]	SS-39200-096
BAGGED $\triangle 10$	50 MICRO-INCHES [1.27um]	SS-39200-049
BAGGED $\triangle 9$	50 MICRO-INCHES [1.27um]	SS-39200-092
PACKAGING	CONTACT PLATING IN MATING AREA	PART NUMBER



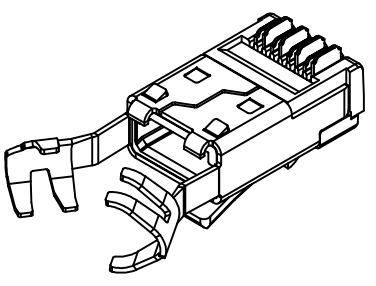
BOOT  
39200-926



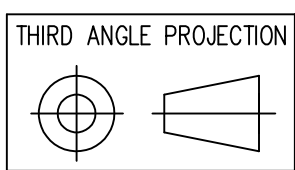
WIRE ALIGNER  
39100-864



LOAD BAR  
39200-899



PRE-INSERTED PLUG  
BODY WITH SHIELD  
39200-321



1118 Susquehanna Trail South  
Glen Rock, PA 17327-9199  
(717) 235-7512  
<http://www.stewartconnector.com>

DO NOT SCALE DRAWING  
DRAWING IS SUBJECT TO  
CHANGE WITHOUT NOTICE

DIMENSIONS: INCHES [METRIC]

UNLESS OTHERWISE SPECIFIED  
TOLERANCES ARE ±.005 [0.13]  
ANGLES ARE ± 1°

SHEET NO. 1 OF 1

TITLE: 8 CONDUCTOR, 8 POSITION SHIELDED PLUG, WITH LOAD BAR, AND WIRE ALIGNER, .048 MAX DIA WIRE, .315 MAX CABLE

THIS DRAWING AND THE SUBJECT MATTER SHOWN THEREON ARE CONFIDENTIAL AND THE PROPRIETARY PROPERTY OF STEWART CONNECTOR AND SHALL NOT BE REPRODUCED, COPIED, OR USED IN ANY MANNER WITHOUT PRIOR WRITTEN CONSENT OF STEWART CONNECTOR. THIS PRODUCT MAY BE PROTECTED BY ONE OR MORE OF THE FOLLOWING US PATENTS: 5628647 6402559 6409535 6524128 7753717 8033863 OTHER PATENTS MAY BE PENDING.

DRN BY: DHG	DATE: 7-21-15
APPD BY: TRM	DATE: 7-21-15
DWG NO. CT390139	REV. A1

B

B

A

A