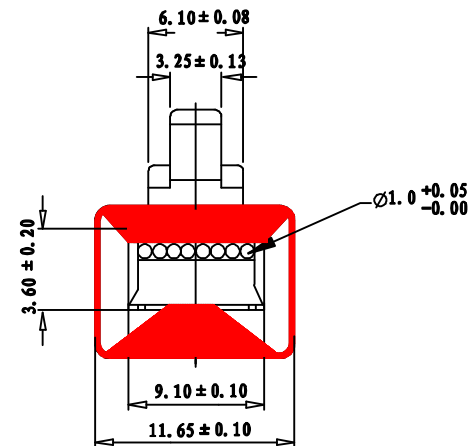
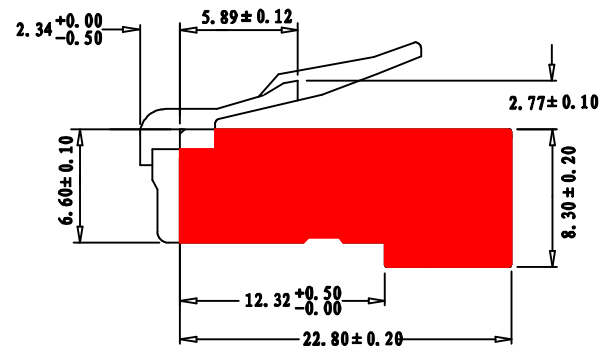
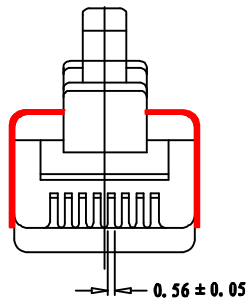


MP8P8C R



SPECIFICATIONS	
HOUSING	POLY CARBONATE(PC) UL94V2 NO. E919153
CONTACT BLADE	HIGH STRENGTH COPPER ALLOY
MATERIAL	100 MICRON NICKEL UNDERPLATED
PLATING TYPE	8% PHOSPHOR BRONZE
PLATING THICKNESS:	(FU*) GOLD PLATED
OPERATING TEMP	-40°C TO 125°C
CURRENT RATING	250V AC MAX AT 2A
DIELECTRIC	500V AC
INSULATION RES	500MEGAOHMS
COMPLIES WITH FCC68/F	

"RoHS Compliance"

REVISE	VERSION	LT#	CONTENTS
12-02-29	A/0	T0222B	NEW DRAWING

CnC Tech, LLC		
Industrial Cable and Connector Technology		
REV.NO:	ISSUE (A/0)	CUSTOMER:L-671
DRAWING NO:	671-363-FS-001	PART NO: 5010-FS0088-001
ITEM NO:	MP8P8C PLUG (F)	
UNIT:MM	DRAWN:	ENGINEER:
DATE:2012-02-29	QA:	SALES DEPT:
		SALES MANAGER: