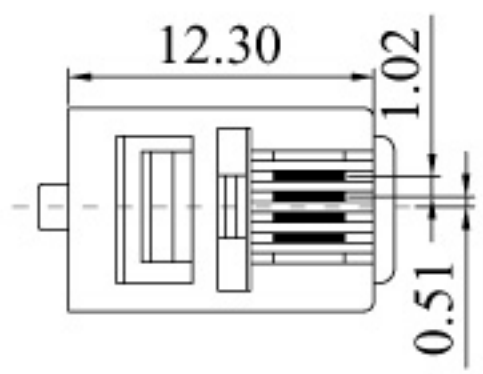
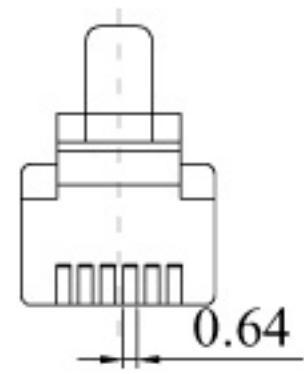
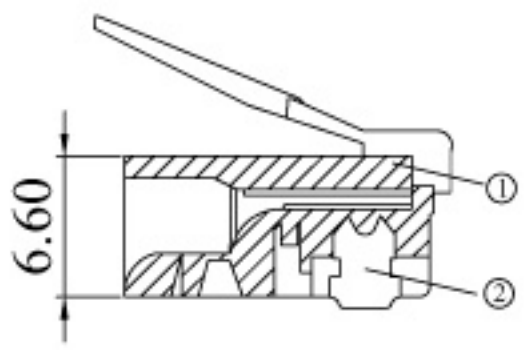
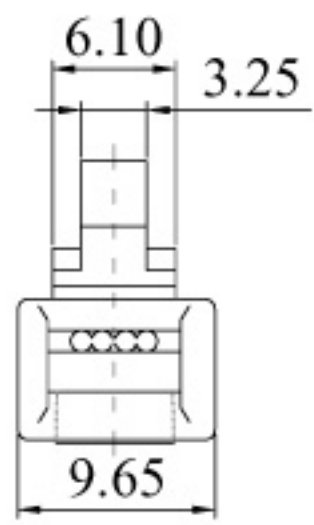


DATE BY	REVISION



2	CONTACT	PHOSPHOR BRONZE. Au 6U [®] .
1	HOUSING	PC TEIJIN L-1250Y 94V-2
No.	PART/NAME	MATERIAL

DATE	16 JUN,2003	PARTS NO	
UNIT	MM	DRAWN NO	N1516
SCALE		BUYER NO	002

TITLE: 6P4C PLUG FOR FLAT CABLE
A-M0-6/4-SF

DRAWN	Y.C.C 6/16	CHECK		APPRO	
ASSMANN Electronics					