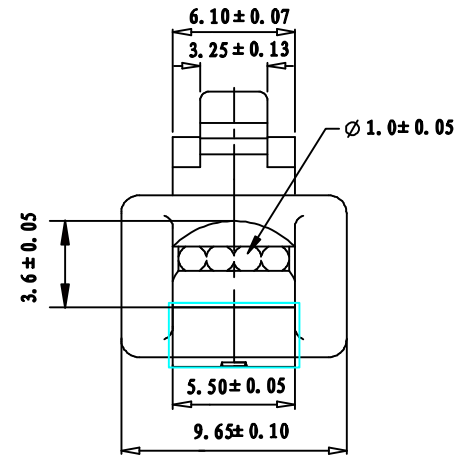
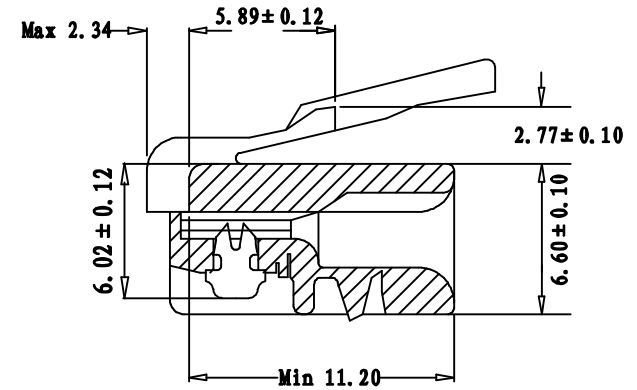
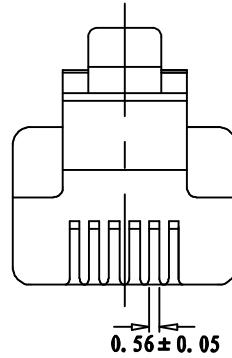


MP6P4C



SPECIFICATIONS

HOUSING	POLY CARBONATE (PC) UL94V2 NO. B919153
CONTACT BLADE	HIGH STRENGTH COPPER ALLOY
MATERIAL	100 MICRON NICKEL UNDERPLATED
PLATING TYPE	8% PHOSPHOR BRONZE
PLATING THICKNESS:	GOLD PLATED FU"
OPERATING TEMP	-40° C TO 125° C
CURRENT RATING	250V AC MAX AT 2A
DIELECTRIC	500V AC
INSULATION RES	500MEGAOHMS
COMPLIES WITH FCC68/F	

"RoHS Compliance"

REVISE	VERSION	LT#	CONTENTS
12-02-23	A/0	T0222B	NEW DRAWING

CnC Tech, LLC			
Industrial Cable and Connector Technology			
REV.NO:	ISSUE (A/0)	CUSTOMER:L-671	
DRAWING NO:	671-375-RU-001	PART NO:5010-RU0064-001	
ITEM NO:	MP6P4C PLUG(R)		
UNIT:MM	DRAWN:	ENGINEER:	SALES DEPT:
DATE:12-02-23	QA:	SALES MANAGER:	