

ASSEMBLY NOTES:

1. SLIDE COMPONENTS ONTO CABLE AS SHOWN  
REF. ITEMS 1, 2 & 4 ARE PRE-ASSEMBLED
2. CABLE PREP: SEE SHEET 2
3. PULL TERMINATED RJ45 PLUG (#7) INTO PLUG HOLDER (#4)  
WITH LOCKING TAB ALIGNED WITH SLOT ON PLUG HOLDER  
DEPRESS LOCKING TAB DOWN BEFORE SEATING PLUG  
INTO FINAL POSITION
4. INSTALL RETAINER WEDGE (#5) INTO SLOT LOCATED ON  
UNDERSIDE OF PLUG HOLDER (#4), SEE DETAIL B
5. ROTATE SEAL NUT UNTIL CABLE SEAL IS TIGHT ON OUTER JACKET OF CABLE
6. SLIDE COUPLING RING (#3) INTO POSITION SHOWN ON ASSEMBLY VIEW

MATERIAL & FINISH NOTES:

1. MATERIAL: SEE BOM TABLE
2. FINISH: SEE BOM TABLE
3. PACKAGING: PARTS ARE PACKED IN A CLEAR POLY BAG  
WITH LABEL AND ASSEMBLY INSTRUCTIONS

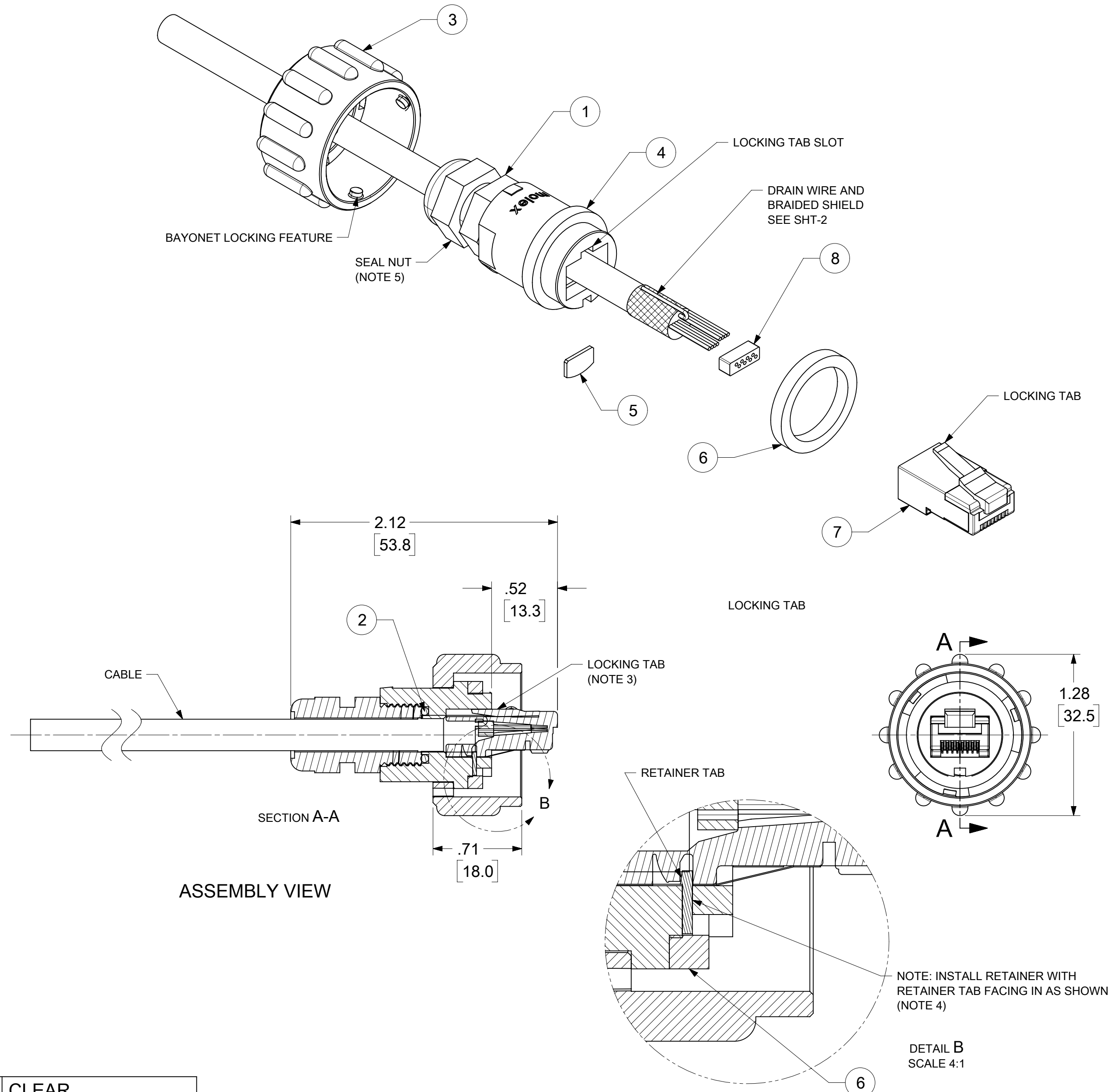
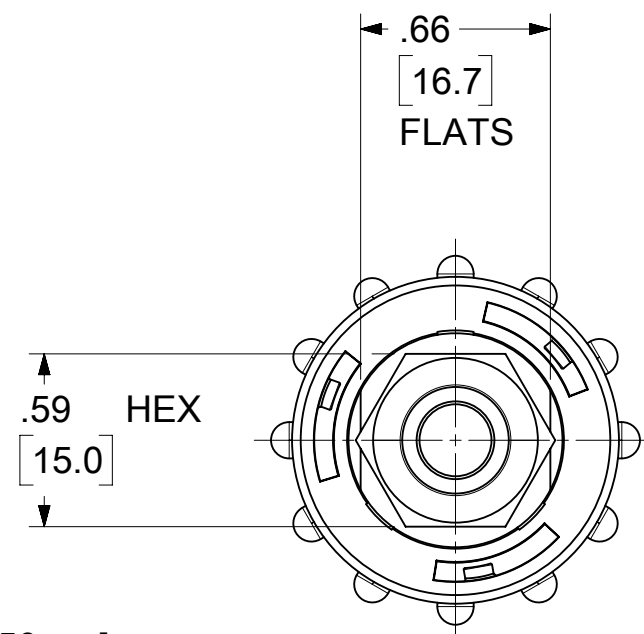
ENGINEERING SPECS:

1. WIRE RANGE:  
OD: .217 IN [5.51mm] TO .256 IN [6.50mm]  
CONDUCTOR TYPE: SOLID OR STRANDED  
CONDUCTOR RANGE: 22 TO 28 AWG  
CONDUCTOR OD RANGE: .037 IN [0.94mm] TO .042 IN [1.07mm]

2. ELECTRICAL SPECS (RJ45)

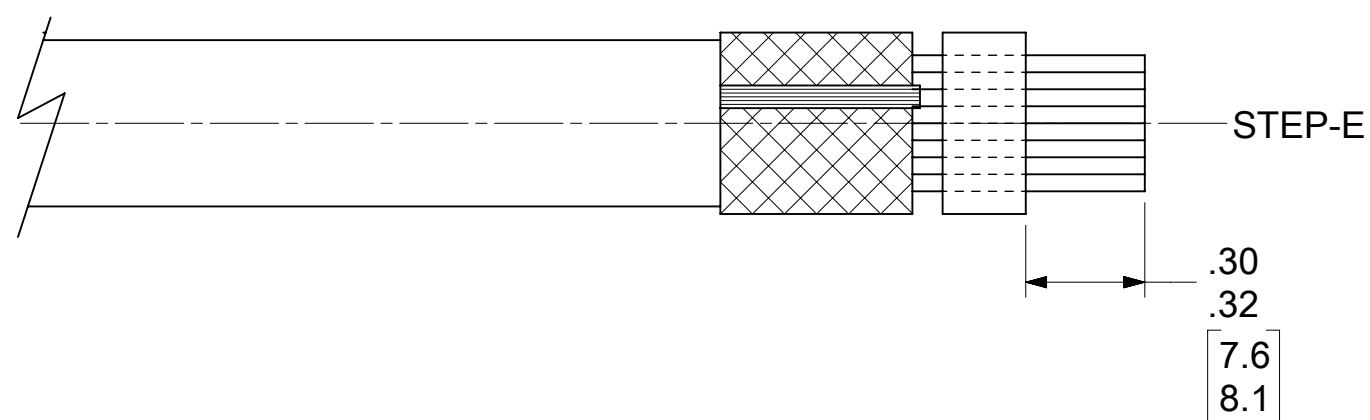
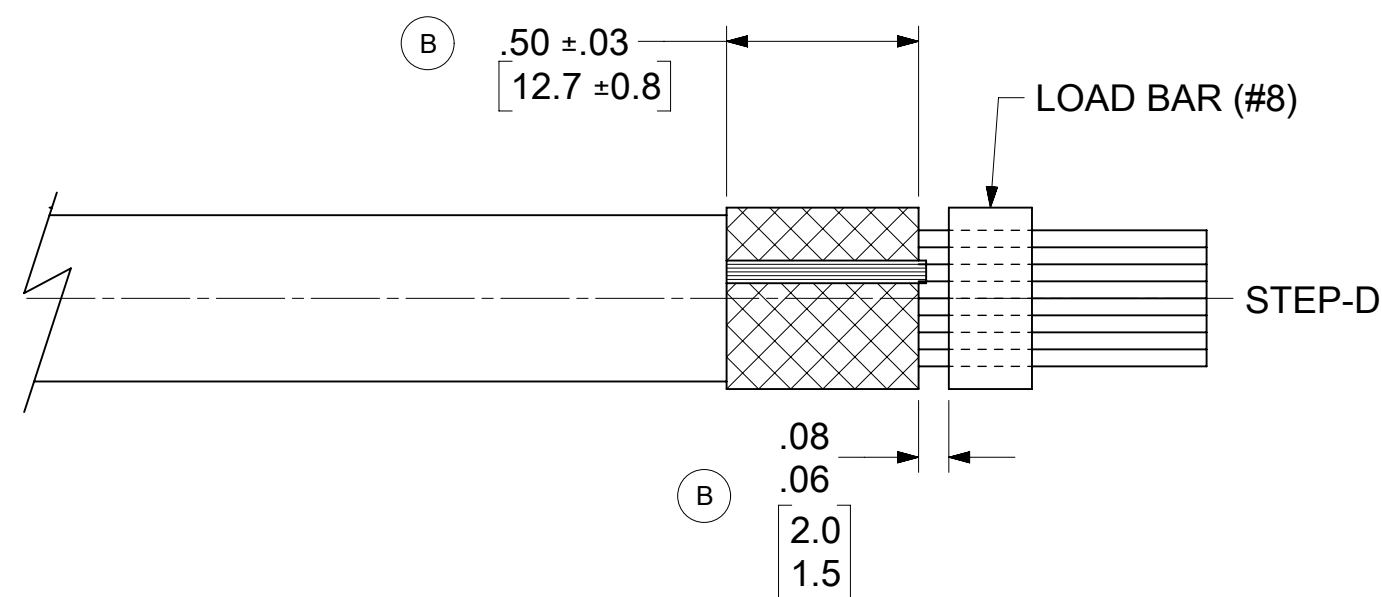
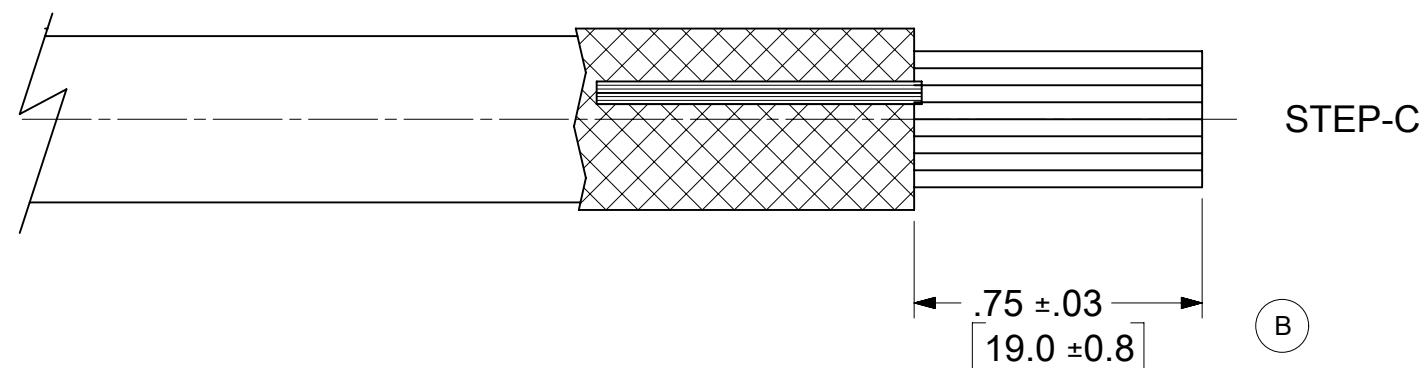
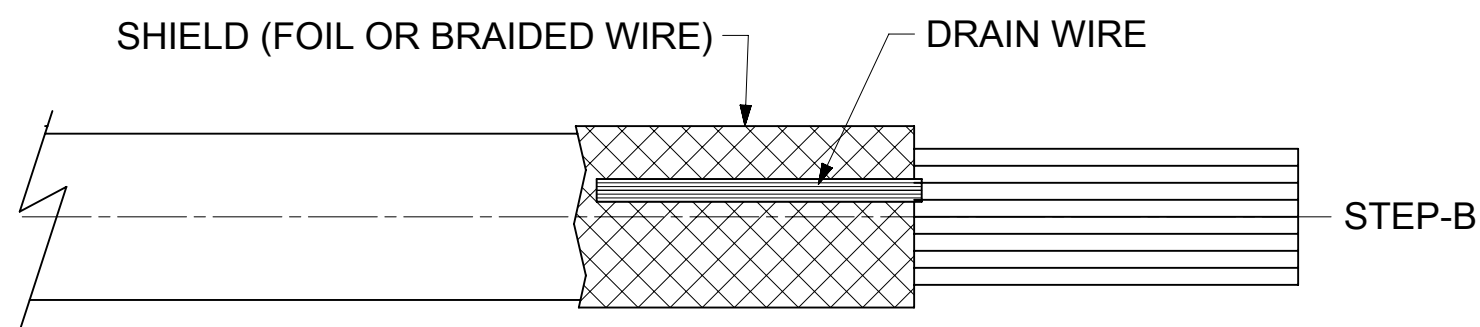
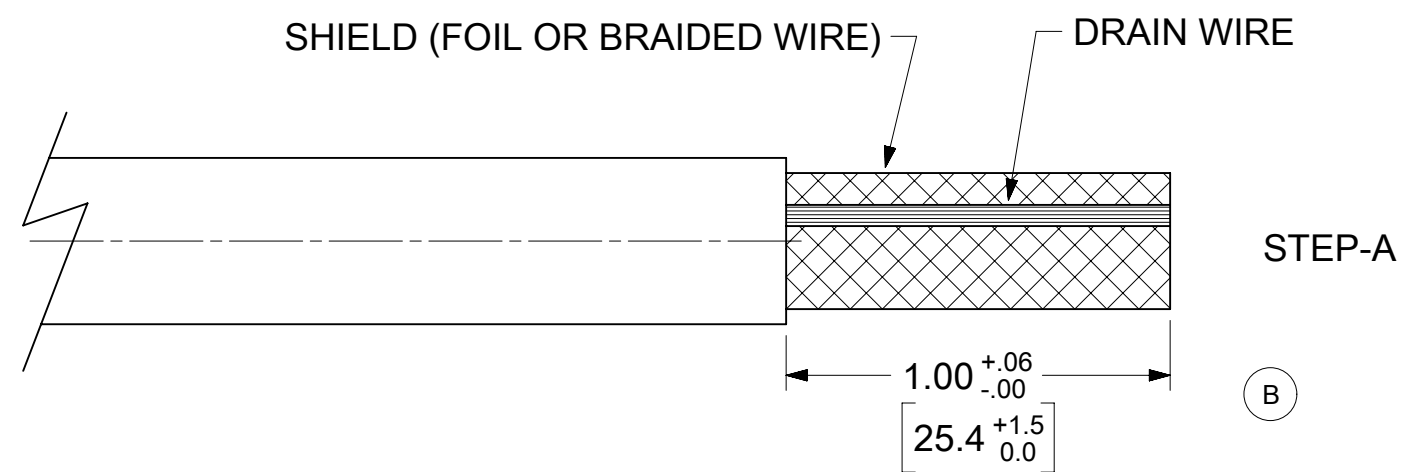
- VOLTAGE: 30VAC/42VDC
- CURRENT: 1.5 AMPS
- OPERATING TEMP: -40°C TO +85°C [-40°F TO +185°F]

3. DIMS SHOAWN ARE FOR REFERENCE ONLY UNLESS  
NOTED OR TOLERANCED OTHERWISE



ITEM	DESCRIPTION	MATERIAL	FINISH
8	LOAD BAR	POLYCARBONATE	CLEAR
7	RJ-45 PLUG (SHIELDED)	POLYCARBONATE/PHOS-BRZ	CLEAR/GOLD PLATE
6	GASKET SEAL (MATING)	NITRILE	BLACK
5	RETAINER WEDGE	PBT	BLACK
4	PLUG HOLDER	PBT	BLACK
3	COUPLING RING (BAYONET LOCK)	PBT	BLACK
2	O-RING	NITRILE	BLACK
1	CABLE SEAL ASSEMBLY	NYLON SHELL/TPE GLAND	BLACK

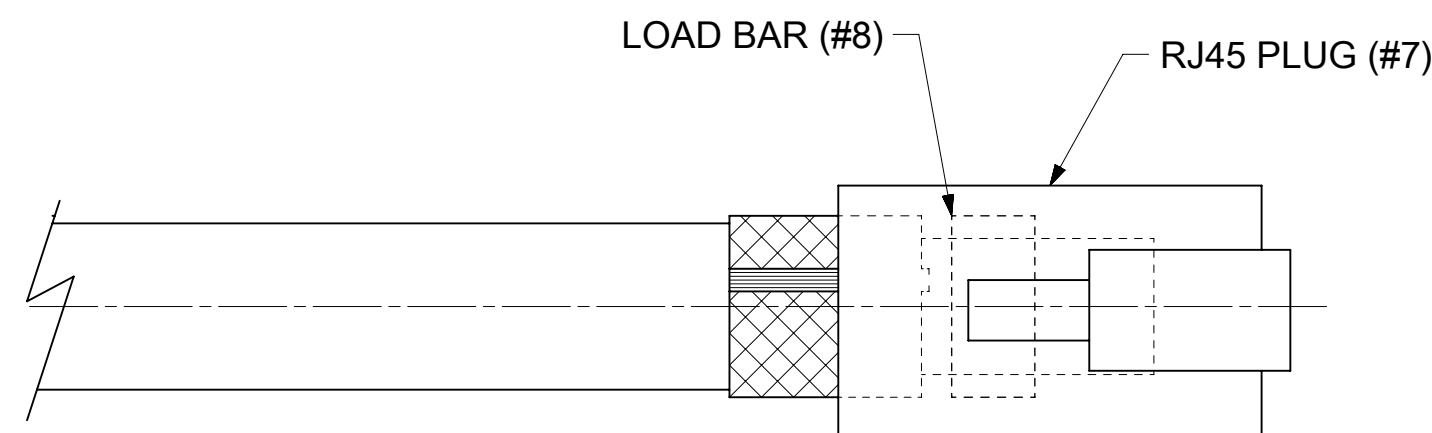
FUNCTIONAL SYMBOLS	THIS DRAWING CONTAINS INFORMATION THAT IS PROPRIETARY TO MOLEX ELECTRONIC TECHNOLOGIES, LLC AND SHOULD NOT BE USED WITHOUT WRITTEN PERMISSION		CURRENT REV DESC: REDRAWN TO NX, BOM UPDATED FOR PACKAGING AND LABELS. UPDATE NOTES, ADD NOTE 3 TO ELECTRICAL SPECS. ADD TOLERANCES TO STEPS A, C & D (SHT-2)		<b>molex</b>			
	FA = 0	SCALE: INCH/MM 1.5:1						
DIVISIONAL SYMBOLS	GENERAL TOLERANCES (UNLESS SPECIFIED)		EC NO: 692535		RJ-45 PLUG ASSEMBLY FIELD ATTACHABLE			
	FC = 0		DRWN: RSTONE 2022/01/14					
DIVISIONAL SYMBOLS	FP = 0		CHK'D: CCHRASKA 2022/01/20		PRODUCT CUSTOMER DRAWING			
			APPR: BWOODMAN 2022/01/24					
			INITIAL REVISION:		DOCUMENT NUMBER: SD-84700-012			
			DRWN: RSTONE 2013/03/19					DOC TYPE: PSD
		APPR: JFMURPHY 2013/06/24		SHEET NUMBER: 1 OF 2				
DRAFT WHERE APPLICABLE MUST REMAIN WITHIN DIMENSIONS		THIRD ANGLE PROJECTION		DRAWING: C-SIZE	SERIES: 84700	MATERIAL NUMBER: 847000002		CUSTOMER: GENERAL MARKET



**CABLE PREP.**

- A. STRIP OUTER INSULATION TO DIMENSION SHOWN
- B. FOLD DRAIN WIRE AND OR BRAIDED SHIELD (SEE REF. NOTE) BACK OVER OUTER JACKET
- C. TRIM WIRES (STRAIGHT) TO DIMENSION SHOWN
- D. TRIM DRAIN WIRE AND OR SHIELD TO DIMENSION SHOWN. SLIDE LOAD BAR ON TO WIRES TO DIMENSION SHOWN
- E. TRIM WIRES AHEAD OF LOAD BAR TO DIMENSION SHOWN
- F. ALIGN RJ45 PLUG(#7) AND INSERT PREPARED CABLE INTO BACK OF RJ45 PLUG UNTIL WIRES ARE SEATED
- G. CRIMP WIRES TO PLUG USING RECOMMENDED HAND TOOL SENTINEL CONNECTOR SYSTEMS P/N: 900000/900208 OR 900005/900216-1

REF. NOTE: CABLE PREP STEPS MAY VARY DEPENDING ON TYPE OF CABLE SHIELDING



FUNCTIONAL SYMBOLS										THIS DRAWING CONTAINS INFORMATION THAT IS PROPRIETARY TO MOLEX ELECTRONIC TECHNOLOGIES, LLC AND SHOULD NOT BE USED WITHOUT WRITTEN PERMISSION													
DIMENSION UNITS		SCALE		CURRENT REV DESC: REDRAWN TO NX, BOM UPDATED FOR PACKAGING AND LABELS. UPDATE NOTES, ADD NOTE 3 TO ELECTRICAL SPECS. ADD TOLERANCES TO STEPS A, C & D (SHT-2)																			
INCH/MM		1:1		<b>molex</b> RJ-45 PLUG ASSEMBLY FIELD ATTACHABLE PRODUCT CUSTOMER DRAWING																			
GENERAL TOLERANCES (UNLESS SPECIFIED)																							
ANGULAR TOL ± °																							
4 PLACES ±																							
DIVISIONAL SYMBOLS		3 PLACES ±		EC NO: 692535		2022/01/14		DRWN: RSTONE CHK'D: CCHRASKA APPR: BWOODMAN								DOCUMENT NUMBER		DOC TYPE		DOC PART		REVISION	
2 PLACES ±		1 PLACE ±		INITIAL REVISION:		2022/01/24										SD-84700-012				PSD		001	
0 PLACES ±		DRAFT WHERE APPLICABLE MUST REMAIN WITHIN DIMENSIONS		THIRD ANGLE PROJECTION		DRAWING		SERIES		MATERIAL NUMBER		CUSTOMER		SHEET NUMBER									
				C-SIZE		84700		847000002		GENERAL MARKET		2 OF 2											