

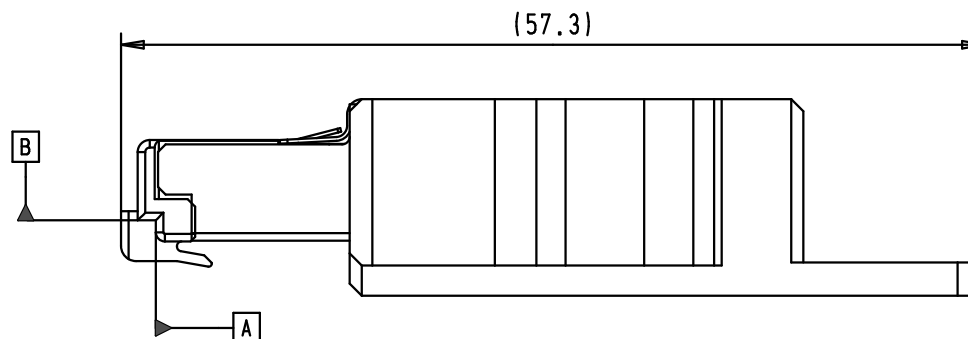
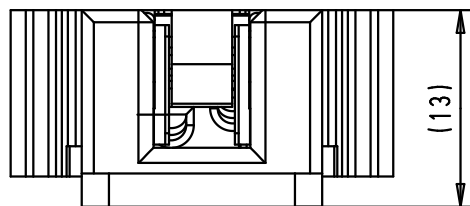
5

4

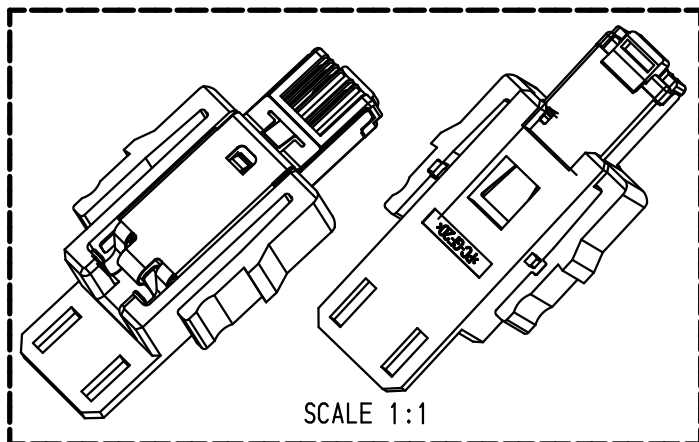
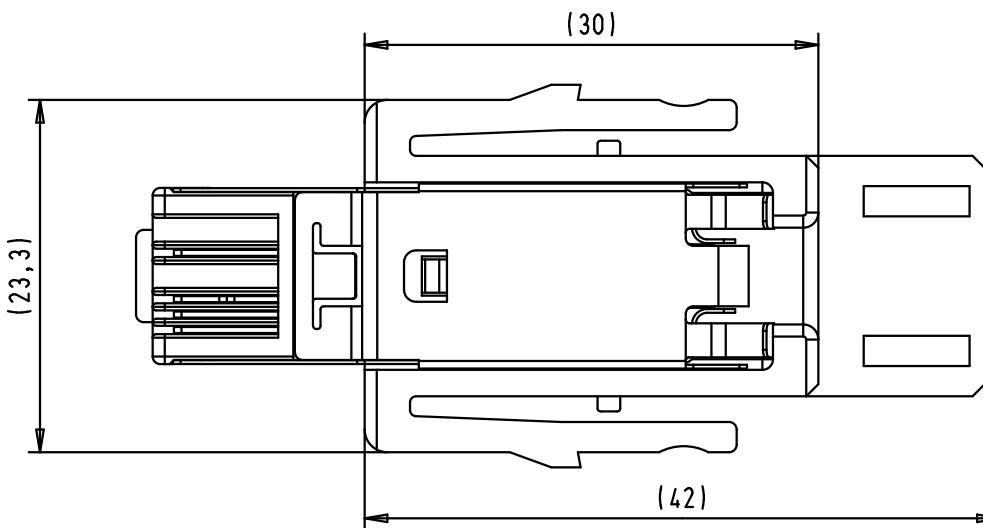
3

2

1

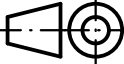



A AND B REFERENCE PLANS ACCORDING TO IEC 606033-7



SCALE 1:1

Data contact plating: Au 1.27μm over nickel

			08/12/10	AB	 All Dim. in mm Orig. Size DIN A 4
36307	08/12/10	AB	HARTING E.U.R.L F-95972 Paris		 Sub.
Mod.	Dat.	Name			

Han-Modular RJ45
 plug set
 Cat.5 - 4 poles

Maßstab/
Scale

2:1

Blatt/ Page

1 / 1

09 45 400 1100	Han-Modular RJ45 plug set
09 45 400 1109	Han-Modular RJ45 plug set AWG 26