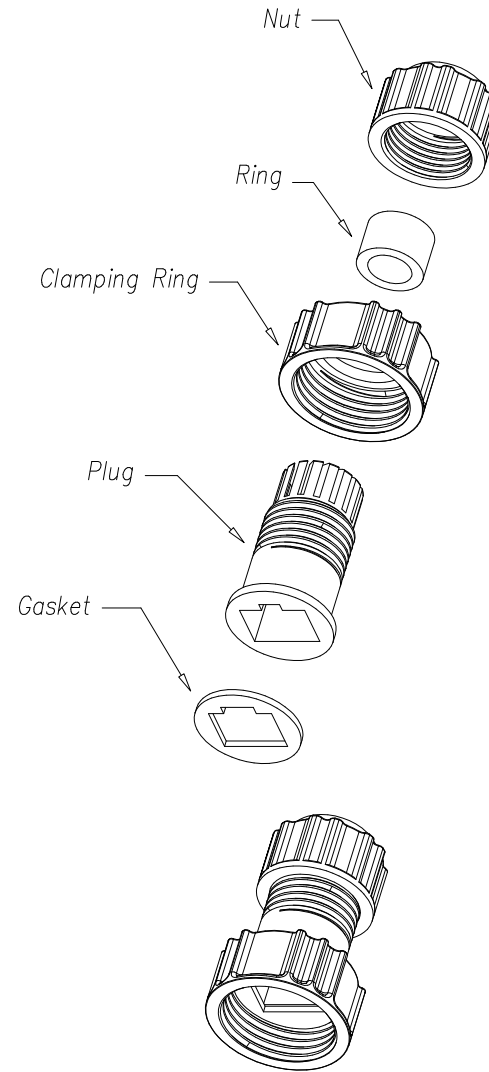
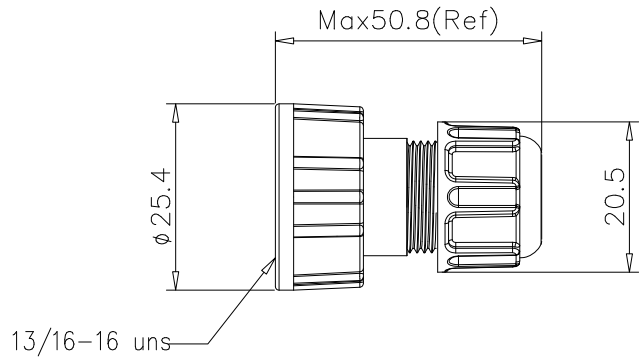


REV.	ECN NO.	DESCRIPTION	SIGN	DATE
C1	N/A	Initial Drawing	Xinkunfu	2019/08/13



Specification:

- 1.Operation Temperature: $-40^{\circ}\text{C}\sim 85^{\circ}\text{C}$.
- 2.Insulation Resistance: $100\text{M}\Omega$ At DC500V.
- 3.Contact Resistance: $<30\text{m}\Omega$.
- 4.Waterproof: IP67(Mated).
- 5.Mating Cycles: 500 Cycles.
- 6.Seal Nut: Nylon, Black
- 7.Seal Ring: Silicon, Black
- 8.Clamp Ring: Nylon, Black
- 9.Gasket: Silicon, Black
- 10.RoHS Compliant.
- 11.Wire Gauge: $4.0\text{mm}\sim 7.0\text{mm}$.

UNIT: mm	DESCRIPTION RJ45 Plug Screw Tyre		CHOGORI [®]	PART NO 33000111-02	DRAWN BY Xinkunfu	DATE 2019/08/13
TOLERANCE .X ±0.25 .XX ±0.15 .XXX ±0.05 ANGLES ±1°	SCALE: 1:1	SHEET 1 OF 1		DWG NO	CHECKED BY Allen	DATE 2019/08/13
REV. C1	SIZE A4	* : Inspection Item		CUSTOMER	APPROVED BY Panson	DATE 2019/08/13

THIS INFORMATION IS CONFIDENTIAL AND IS DISCLOSED TO YOU ON CONDITION THAT NO FURTHER DISCLOSE IS MADE BY YOU TO OTHER THAN CHOGORI PERSONNEL WITHOUT AUTHORIZATION FROM CHOGORI CORP.