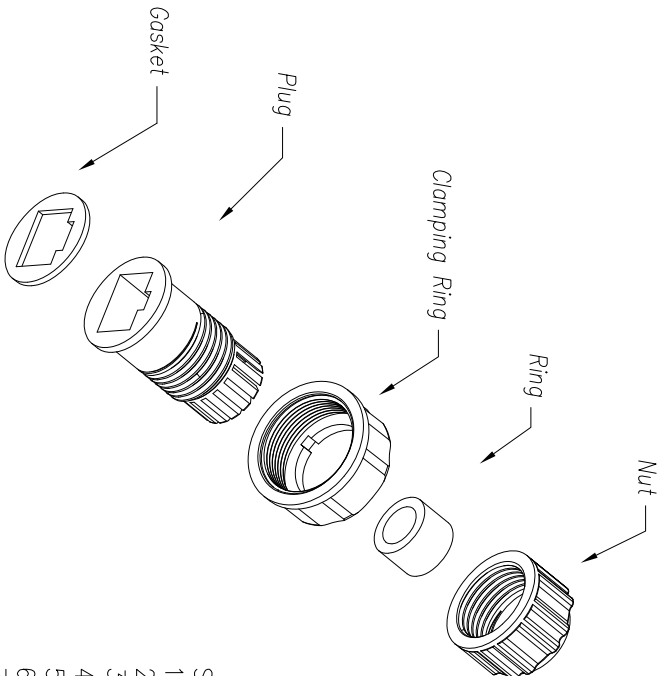
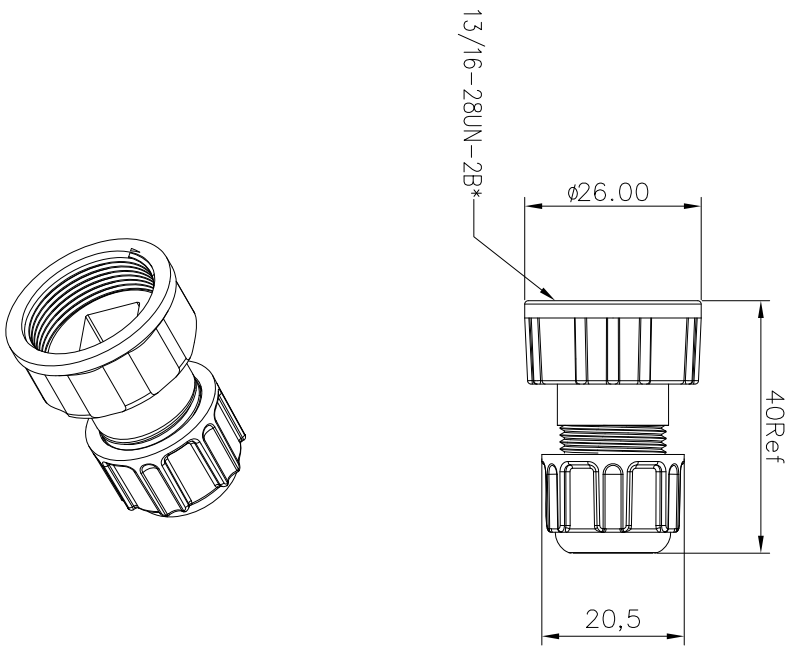


REV.	EON NO.	DESCRIPTION	SIGN	DATE
C1	N/A	Initial Drawing	LiYongSheng	2020/04/29



- Specification:
1. Operation Temperature: $-40^{\circ}\text{C}\sim 85^{\circ}\text{C}$.
 2. Insulation Resistance: $100\text{M}\Omega$ At DC500V.
 3. Contact Resistance: $<30\text{m}\Omega$
 4. Waterproof: IP67(Mated).
 5. Mating Cycles: 500 Cycles.
 6. Seal Nut: Nylon, Black
 7. Seal Ring: Silicon, Black
 8. Clamp Ring: Zinc-alloy; Silver
 9. Gasket: Silicon, Black
 10. RoHS Compliant.
 11. Wire Gauge: $4.0\text{mm}\sim 7.0\text{mm}$.

UNIT: mm	
TOLERANCE	
X	± 0.25
XX	± 0.15
XXX	± 0.05
ANGLES	$\pm 1'$

DESCRIPTION	RJ45 Threaded metal plug			
SCALE	1:1	SIZE	A4	SHEET
REV.	C1			* : inspection item

CHOGORI

PART NO	33000111-01	DRAWN BY	LiYongSheng	DATE	2020/04/29
DWG NO		CHECKED BY	Allen	DATE	2020/04/29
CUSTOMER		APPROVED BY	Panson	DATE	2020/04/29