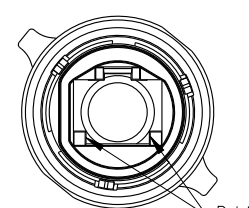
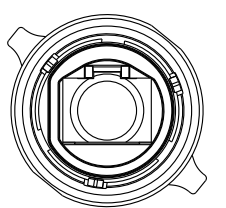
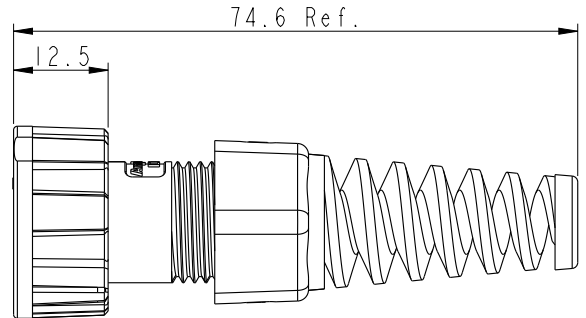
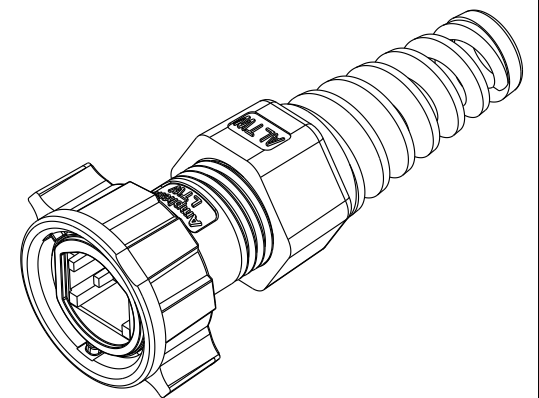
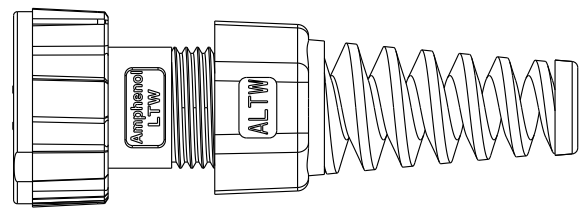
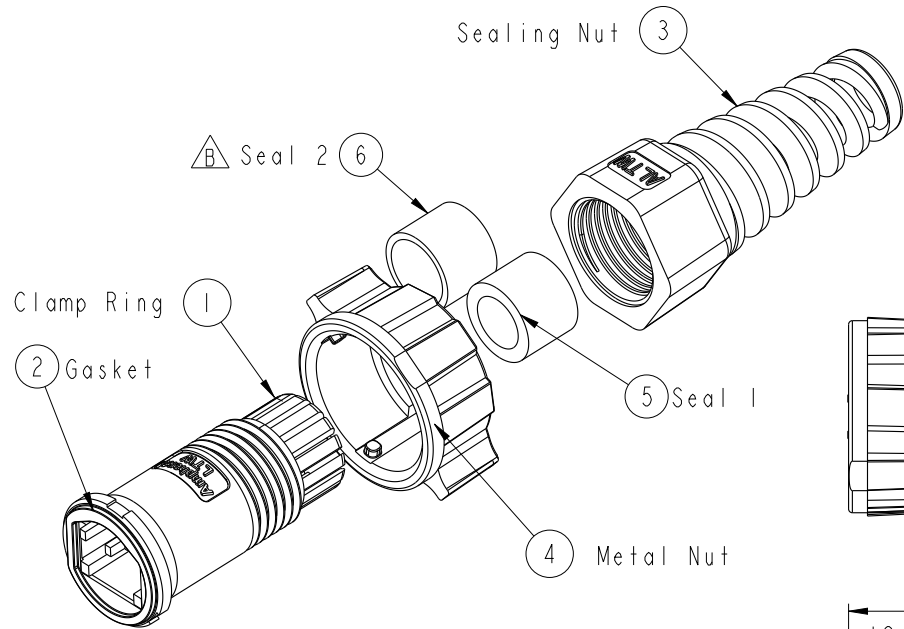


REV.	ECN NO.	DATE	SIGN	DESCRIPTION
A		2017/03/29	Kris	Initial Release
B	CI90019	2018/12/21	Mafei	Adding One Connector.



RCM-00AMMA-TLM7002

RCM-00AMMA-TLM7001

**ALTW**  
**CONFIDENTIAL**  
**2018-12-21**  
**R&D DEPT.**

- Note:
- \* 12.5 Important Dimension to Check
  - \* Waterproof Rate: IP67 (Mated)
  - \* Clamp Ring: Nylon, Black.
  - \* Metal Nut: ZINC Alloy, Nickel plated.
  - \* Sealing Nut: Nylon, Black
  - \* Seal & Gasket: Silicone, Drak Gray
  - \* Seal 1 for cable OD range:  $\varnothing 4.5 \sim \varnothing 7.5$ mm;
  - \* Seal 2 for cable OD range:  $\varnothing 7.5 \sim \varnothing 8.5$ mm;
  - \* One Set Unassembled In One PE Bag.

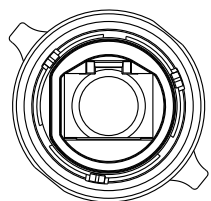
UNIT: mm			TITLE RJ Field Installable, Metal Nut		
TOLERANCE	.X ±0.25	.XX ±0.1	SCALE 1:1	SIZE A4	SHEET 1 OF 2
.XXX ±0.05	ANGLES ±1°		REV. B	WC-REV. A.5	<span style="border: 1px solid black; border-radius: 50%; padding: 2px;">12.5</span> : Inspection item

**Amphenol LTW**  
**安費諾亮泰企業股份有限公司**

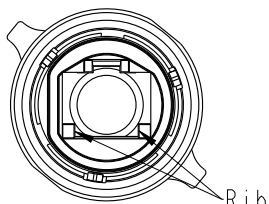
ITEM NO.	DRAWN BY Mafei	DATE 2018-12-21
DWG NO. RCM-00AMMA-TLM700X	CHECKED BY Jerry	DATE 2018-12-21
CUSTOMER ALTW	APPROVED BY Max	DATE 2018-12-21

THIS DOCUMENT IS SUBJECT TO CHANGE WITHOUT NOTICE. IT IS CONFIDENTIAL AND A PROPERTY OF Amphenol LTW. DISCLOSURE TO THIRD PARTY HAS TO BE AUTHORIZED BY Amphenol LTW.

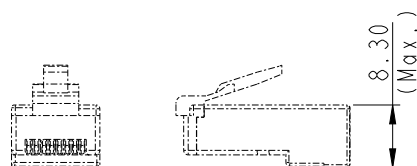
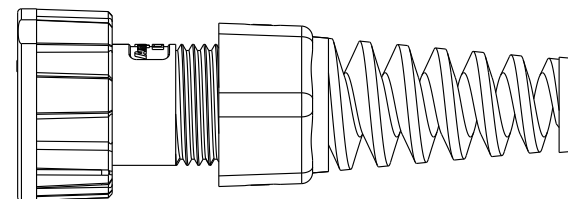
THIS DOCUMENT IS SUBJECT TO CHANGE WITHOUT NOTICE. IT IS CONFIDENTIAL AND A PROPERTY OF Amphenol LTW. DISCLOSURE TO THIRD PARTY HAS TO BE AUTHORIZED BY Amphenol LTW.



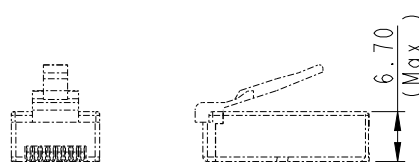
RCM-00AMMA-TLM7002



RCM-00AMMA-TLM7001

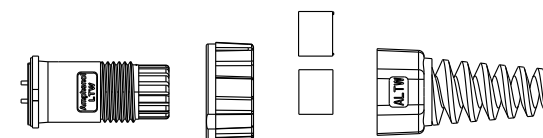


Suggested Plug: Style 2  
For: RCM-00AMMA-TLM7002

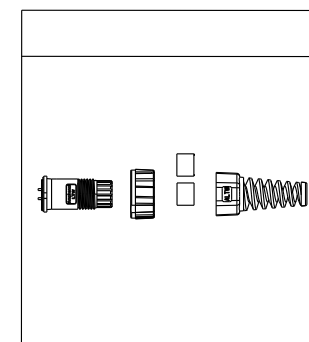


Suggested Plug: Style 1  
For: RCM-00AMMA-TLM7001

Package



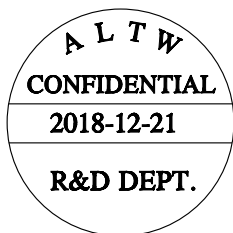
↓ QTY: 1 Set



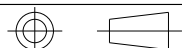
PE Bag

RCM-00AMMA-TLM700X

- 1: Suitable for Plug Style 1, Without Plug.
- 2: Suitable for Plug Style 2, Without Plug.



UNIT: mm



TOLERANCE  
.X ±0.25  
.XX ±0.1  
.XXX ±0.05  
ANGLES ±1°

TITLE RJ Field Installable, Metal Nut			
SCALE 1:1	SIZE A4	SHEET 2 OF 2	
REV. B	WC-REV. A.5	QC: Inspection item	

**Amphenol LTW**  
安費諾亮泰企業股份有限公司

ITEM NO	DRAWN BY Mafei	DATE 2018-12-21
DWG NO RCM-00AMMA-TLM700X	CHECKED BY Jerry	DATE 2018-12-21
CUSTOMER ALTW	APPROVED BY Max	DATE 2018-12-21