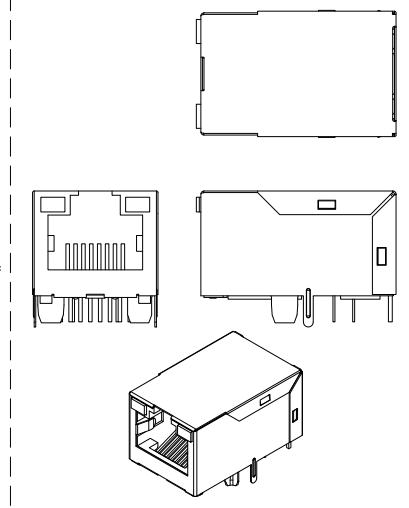
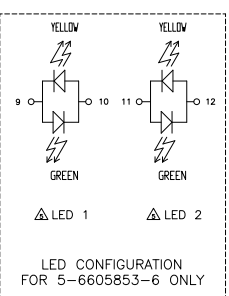
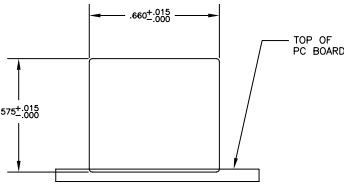
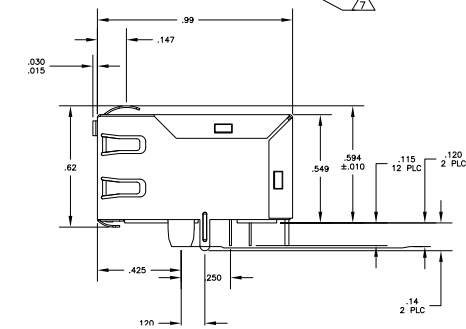
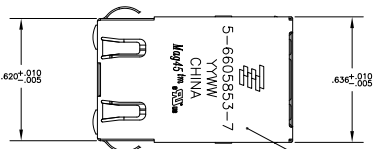
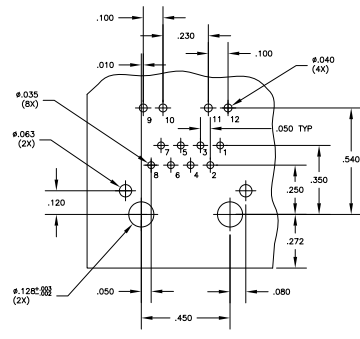


THIS DRAWING IS UNPUBLISHED. ALL RIGHTS RESERVED.
 © 2007 TYCO ELECTRONICS CORPORATION

REV	DATE	DESCRIPTION	BY	CHK
E	REV PER ECO-10-019136		YR2P2010	RZ KZ
F	ECO-10-083974		20070808	RL KZ



ONLY FOR 1-6605853-9



SUGGESTED PC BOARD LAYOUT (Component Side)

MATERIALS:
 HOUSING - THERMOPLASTIC PET POLYESTER FLAMMABILITY RATING UL 94V-0
 SHIELD - .010" THICK, C26400 BRASS PREPLATED WITH 30.0 INCH MIN SEM-BRIGHT
 NICKEL SOLDER TABS POST-DIPPED WITH SAC SOLDER.
 MOD JACK CONTACTS - .0157" x .018" PHOSPHOR BRONZE, 50.0 INCH MIN OVERALL NICKEL UNDERPLATE, WITH SELECT 50.0 INCH MIN HARD GOLD FINISH PLATE. SOLDER TABS WITH 100.0 INCH MIN MATTE TIN AND/OR SAC SOLDER DIP
 LIGHT EMITTING DIODE(LED) - DIFFUSED EPOXY LENS, .020" x .020"
 CARBON STEEL WIREFRAME LEADS PREPLATED WITH 80.0 INCH SILVER OVER 40.0 INCH NICKEL UNDERPLATE OVER 40.0 INCH COPPER UNDERPLATE, POST-PLATED WITH 100.0 INCH MIN MATTE TIN AND/OR SAC SOLDER DIP OR PURE TIN SOLDER DIP.

RJ45 JACK CAVITY CONFORMS TO FCC RULES AND REGULATIONS PART 68, SUB PART F.

MAGNETICS
 -APPLICATION: 10/100 BASE-T
 -IMPEDANCE: 100 OHMS
 -TURNING RATIO (CHP CABLE): TX = 11, RX = 11
 -OPEN CIRCUIT INDUCTANCE (OCL): 30.0 nH MIN @ 100MHz, 0.1V RMS, 8mA DC BIAS FROM 0°C TO 70°C, TX AND RX
 -PERFORMANCE @ 25°C
 INSERTION LOSS (IL): 1.5dB MAX FROM 0.5MHz TO 100MHz
 RETURN LOSS (RL): 18dB MIN FROM 0.5MHz TO 300MHz
 IS-20 LOG(1/30dB MIN FROM 30 MHz TO 600MHz)
 12dB MIN FROM 60 MHz TO 80MHz
 CROSSTALK ATTENUATION: 35dB MIN FROM 0.5MHz TO 40MHz
 33-20 LOG(1/50dB MIN FROM 4.0MHz TO 100MHz)
 COMMON MODE REJECTION RATIO (CMRR): 30dB MIN FROM 0.5MHz TO 100MHz
 -ISOLATION VOLTAGE: COMPLES WITH IEEE802.3 2002, PARA 23.5.11, ITEM b.

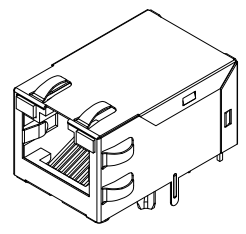
4. OPERATING TEMPERATURE: FROM 0°C TO -70°C.

LEDS ARE DRIVEN WITH CONSTANT CURRENT AT APPROX 20mA.
 LED COLOR: DOMINANT WAVELENGTH (λD): GREEN 568 nm TYP @ IF=20mA
 FORWARD VOLTAGE (VF): GREEN 2.2V TYP @ IF=20mA
 DOMINANT WAVELENGTH (λD): YELLOW 588 nm TYP @ IF=20mA
 FORWARD VOLTAGE (VF): YELLOW 2.1V TYP @ IF=20mA.

INDICATED CONNECTIONS ARE FOR NIC CONFIGURATION. THE MAGNETICS ARE ASYMMETRIC, AND DO NOT SUPPORT AUTO-MDIX/MDX.

TYCO ELECTRONICS LOGO, PART NUMBER, DATE CODE, COUNTRY OF ORIGIN AND AGENCY APPROVAL MARKING IN APPROXIMATE LOCATION SHOWN.

8. THESE PARTS ARE RECOMMENDED FOR WAVE SOLDERING PROCESS.
 PREHEAT TEMPERATURE IS 120°C TO 160°C, 120 SECONDS TO 180 SECONDS, PEAK SOLDERING TEMPERATURE IS 260 °C MAX, 10 SECONDS MAX.



YES	GREEN	YELLOW	5-6605853-8
YES	GREEN	GREEN	5-6605853-7
YES	GREEN/YELLOW	GREEN/YELLOW	5-6605853-6
NO	YELLOW	GREEN	1-6605853-9

EMV FINCHER	LED 1	LED 2	PART NUMBER
YES	GREEN	YELLOW	5-6605853-8
YES	GREEN	GREEN	5-6605853-7
YES	GREEN/YELLOW	GREEN/YELLOW	5-6605853-6
NO	YELLOW	GREEN	1-6605853-9

THIS DRAWING IS A CONTROLLED DOCUMENT.	REV	DATE	DESCRIPTION	BY	CHK
1	108-2100	11/11/07	INTEGRATED MAGNETIC MOD JACK ASSY, LED LEADS, 714P10 MAGNETIC CIRCUIT	YR2P2010	RZ KZ
2	108-2100	11/11/07	LED LEADS, 714P10 MAGNETIC CIRCUIT	YR2P2010	RZ KZ

ELECTRICAL:
 714P10 MAGNETIC SCHEMATIC

