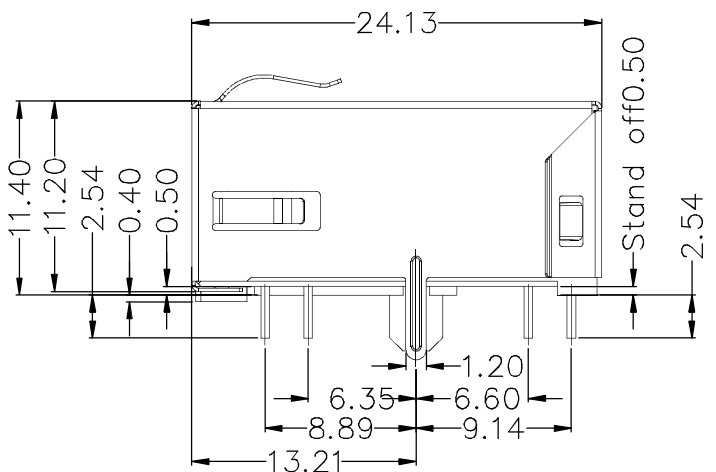
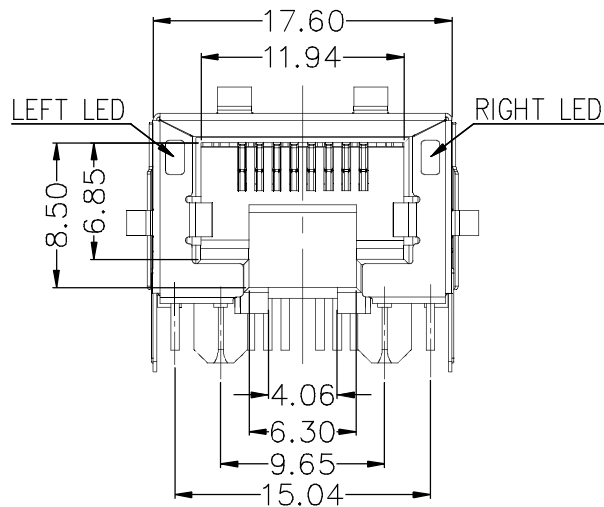
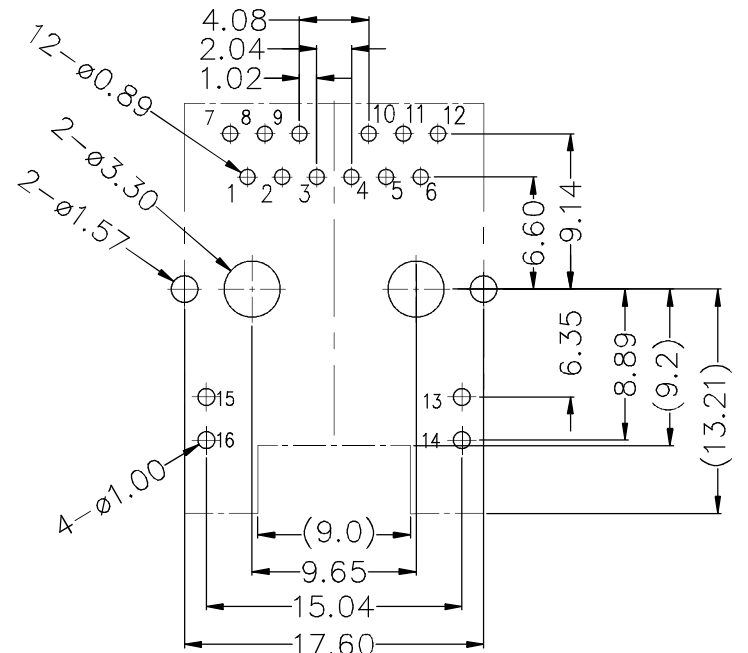
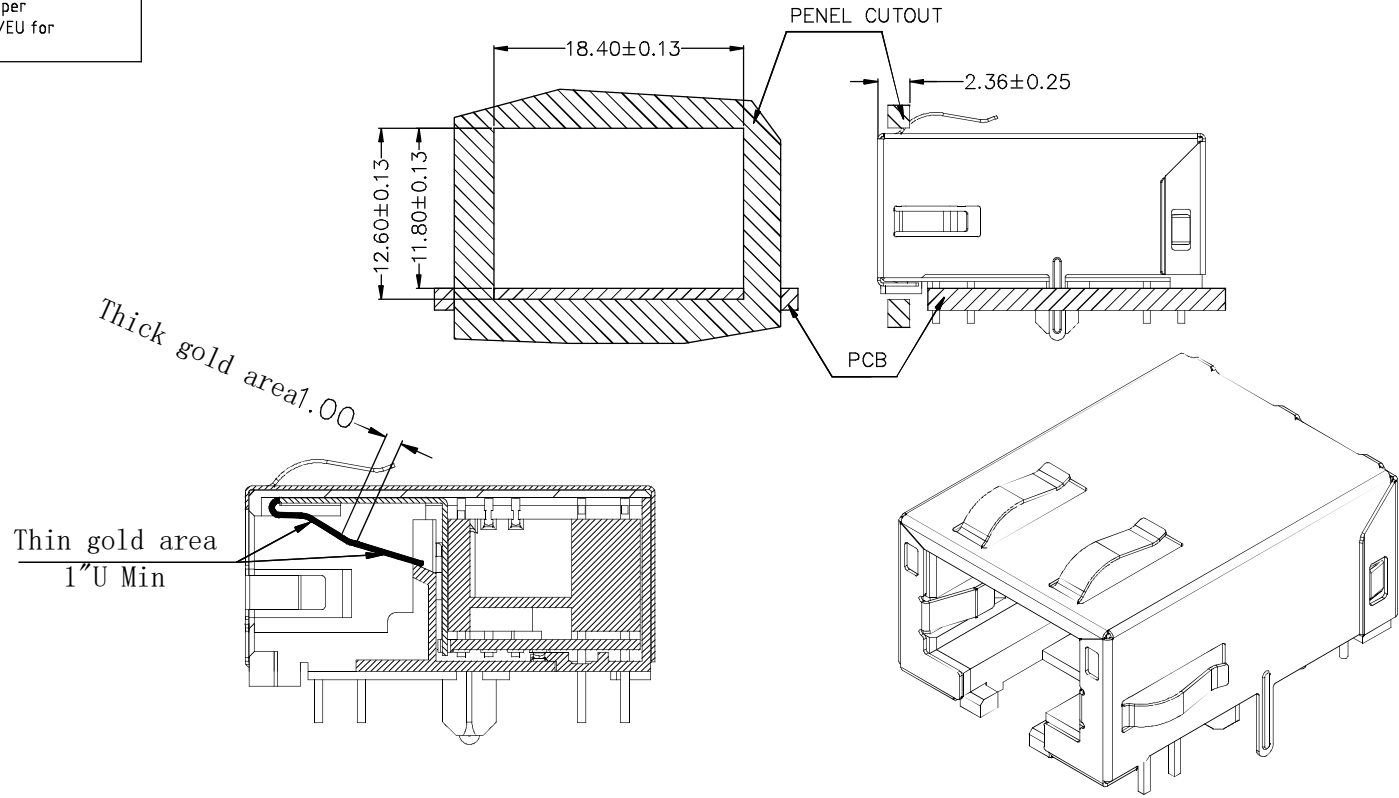
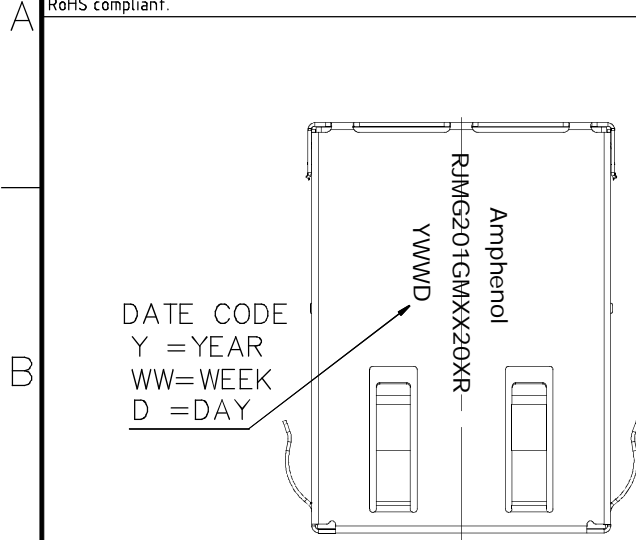


This document is the property of Amphenol Corporation and is delivered on the express condition that it is not to be disclosed, reproduced or used, in whole or in part, for manufacture or sale by anyone other than Amphenol Corporation without its prior consent, and that no right is granted to disclose or to use any information in this document.

The marking on this product doesn't contain environmental hazardous materials per Material Specification SS-00259 for Sony GP compliant or per directive 2011/65/EU for RoHS compliant.

# CUSTOMER DRAWING

REVISIONS				
SYM	ECN No.	DESCRIPTION	DATE	APPROVED
A	NE-18101	INITIAL RELEASE	08/23/2018	Lawrence Chan
BX1	/	Update Drawing: Update bottom view pin	05/08/2020	Roger Tsai



- NOTES:
- MATERIAL:
    - HOUSING: LCP, UL94 V-0; COLOR: BLACK
    - RJ CONTACT: COPPER ALLOY, T=0.30±0.02mm.
    - SHELL: COPPER ALLOY, T=0.20±0.02mm.
  - FINISH:
    - CONTACT:
 

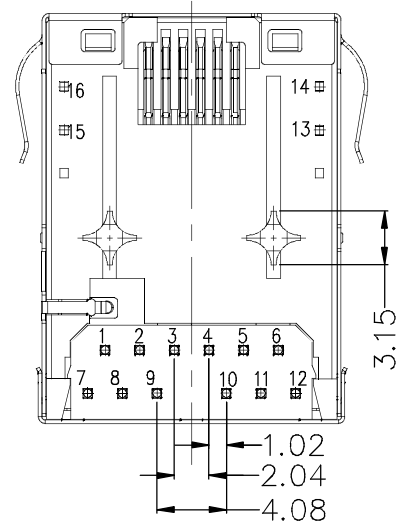
SELECT GOLD PLATING(SEE TABLE) ON CONTACT AREA.  
2.54um [100u"] MIN. MATTE-TIN PLATING ON SOLDER TAIL AREA.  
0.762um [30u"] MIN. NICKEL UNDERPLATING OVERALL.
    - SHELL: 0.762um [30u"] MIN. NICKEL UNDERPLATING OVERALL.
  - RECOMMENDED P.C.B THICKNESS : 1.6mm
  - OTHER GENERAL SPEC. TO REFER : RJ SERIES SPEC.
  - FOR REFLOW SOLDERING LEAD-FREE PROCESS :
 

CAN MEET 250°C/10 SEC&217°C/60~150 SEC SOLDERING CONDITION  
REFER TO IPC -JEDEC J-STD-020E.
  - Product Specification Refer To : PS-R969



RJMG201GM X X 20 X R

LED1(RIGHT SIDE) OPTIONS		LED2(LEFT SIDE) OPTIONS		PLATING GOLD SELECT	
0-	NO LED	0-	NO LED	Q-	GOLD FLASH, Tape&Reel
1-	Green (2 LEADS)	1-	Green (2 LEADS)	1-	GOLD 15µ", Tape&Reel
2-	Yellow (2 LEADS)	2-	Yellow (2 LEADS)	2-	GOLD 30µ", Tape&Reel
3-	Red (2 LEADS)	3-	Red (2 LEADS)	3-	GOLD 50µ" Tape&Reel
4-	Bi-color Green/Yellow (2 LEADS)	4-	Bi-color Green/Yellow (2 LEADS)	8-	GOLD 6µ" Tape&Reel
5-	Bi-color Red/Green (2 LEADS)	5-	Bi-color Red/Green (2 LEADS)	K-	GOLD 6µ" Tray
6-	Bi-color Green/Orange (2 LEADS)	6-	Bi-color Green/Orange (2 LEADS)	L-	GOLD FLASH, Tray
7-	Bi-color Red/Yellow (2 LEADS)	7-	Bi-color Red/Yellow (2 LEADS)	M-	GOLD 15µ", Tray
N-	Amber (2 LEADS)	N-	Amber (2 LEADS)	P-	GOLD 30µ", Tray
P-	Bi-color Green/Amber (2 LEADS)	P-	Bi-color Green/Amber (2 LEADS)		
U-	Orange (2 LEADS)	U-	Orange (2 LEADS)		



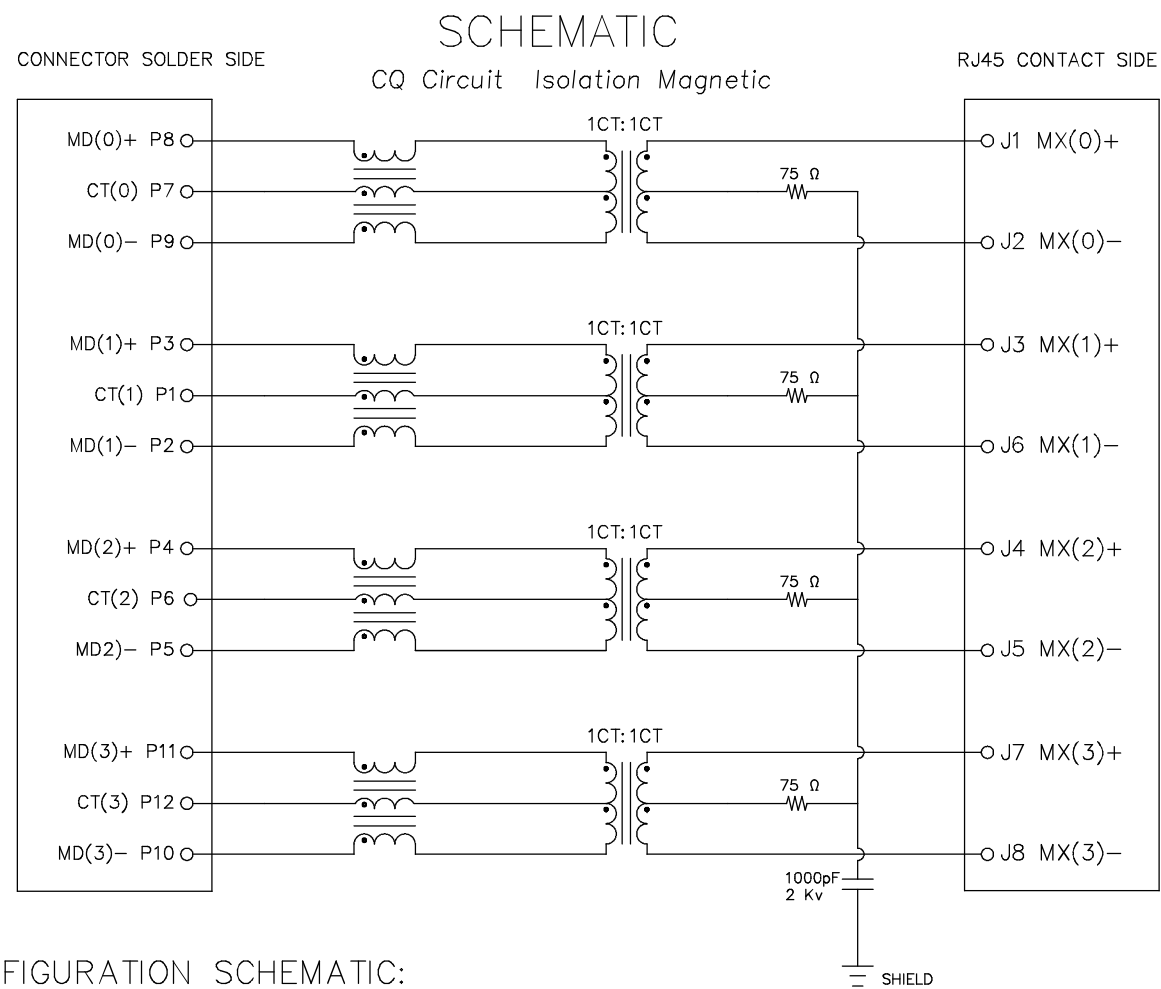
TOLERANCE	APPROVALS	DATE	TITLE		PART No.			
X. X.X ±0.35 X.XX ±0.25 X.XXX ±0.15	DRAWN Arvin Ye	05/08/2020	RJMG201X Series 1X1 1000 Base-T Series with LED options		Amphenol® Amphenol Corporation Amphenol Taiwan Corporation			
ANGULAR ±1°	CHECKED Vivian Wen	05/08/2020			UNIT mm	SIZE A3	PART No. RJMG201GMXX20XR	
UNLESS OTHERWISE SPECIFIED	APPROVED Roger Tsai	05/08/2020			SCALE NA	SHEET 1 OF 4	DWG No. RJMG201GMXX20XR	REV. BX1
	DWG TYPE CUST DWG	PROJECT CODE RJMG						

This document is the property of Amphenol Corporation and is delivered on the express condition that it is not to be disclosed, reproduced or used, in whole or in part, for manufacture or sale by anyone other than Amphenol Corporation without its prior consent, and that no right is granted to disclose or to use any information in this document.

The marking on this product doesn't contain environmental hazardous materials per Material Specification SS-00259 for Sony GP compliant or per directive 2011/65/EU for RoHS compliant.

# CUSTOMER DRAWING

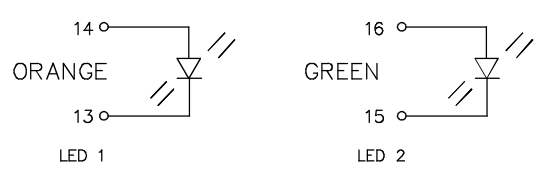
REVISIONS				
SYM	ECN No.	DESCRIPTION	DATE	APPROVED
A	NE-18101	INITIAL RELEASE	08/23/2018	Lawrence Chan
BX1	/	Update Drawing: Update bottom view pin	05/08/2020	Roger Tsai



## ELECTRICAL CHARACTERISTICS

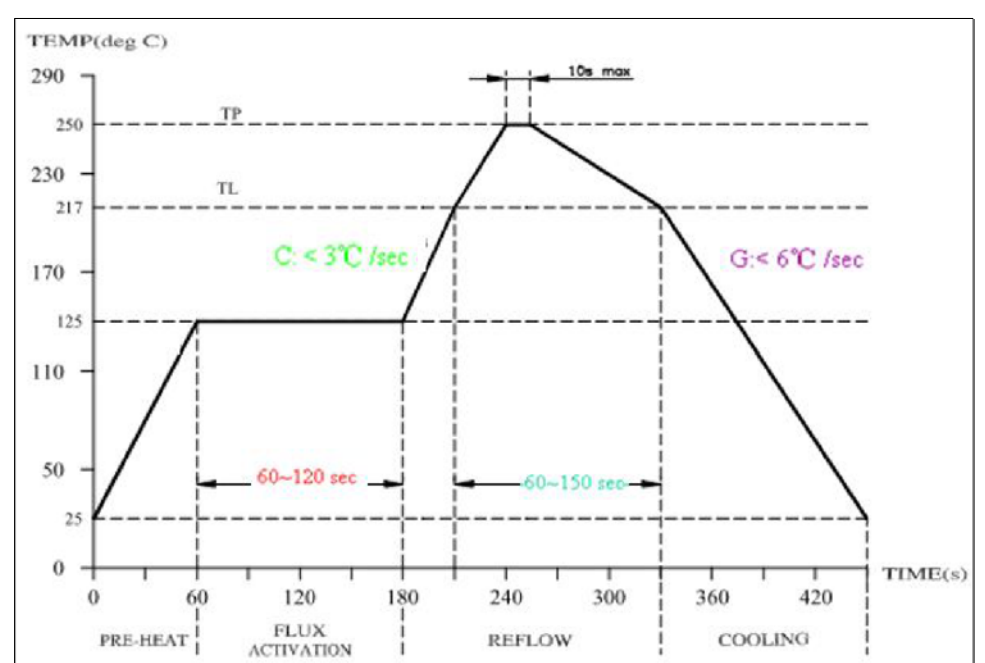
- TEST NOTES(25±5°C)
- TR: (100kHz, 100mV)  
PINS: (P8-P9): (J1-J2)=1: 1±2%; (P2-P3): (J3-J6)=1: 1±2%  
PINS: (P4-P5): (J4-J5)=1: 1±2%; (P10-P11): (J7-J8)=1: 1±2%
  - LX: (100kHz, 100mV, 8mA DC Bias)  
PINS: (P8-P9), (P2-P3), (P4-P5), (P10-P11)=350uH MINIMUM
  - DCR:  
PINS: (J1-J2), (J3-J6), (J4-J5), (J7-J8)=1.2 OHMS MAXIMUM
  - HIPOT:  
PINS: (P8-P9) TO (J1-J2), (P2-P3) TO (J3-J6)=1500Vrms  
PINS: (P4-P5) TO (J4-J5), (P10-P11) TO (J7-J8)=1500Vrms
  - INSERTION LOSS:  
-1.0dB MAXIMUM AT 1MHz-100MHz  
-1.2dB MAXIMUM AT 100MHz-125MHz
  - RETURN LOSS  
-18dB MINIMUM AT 0.5MHz TO 40MHz  
-12+20log(f/80MHz)dB MINIMUM AT 40MHz TO 100MHz
  - CROSS TALK:  
-33+20log(f/100MHz)dB MINIMUM AT 0.1MHz TO 100MHz
  - COMMON TO DIFFERENTIAL MODE REJECTION  
-30dB MINIMUM AT 0.3MHz TO 100MHz
  - COMMON TO COMMON MODE REJECTION  
-30dB MINIMUM AT 0.3MHz TO 100MHz
  - LED1&LED2  
VF(FORWARD VOLTAGE) IF=20mA TYP

## LED CONFIGURATION SCHEMATIC:



	Green	Yellow	Orange	Units
PEAK WAVELENGTH	602~608	602~608	600~610	nM

## IR Reflow Profile:



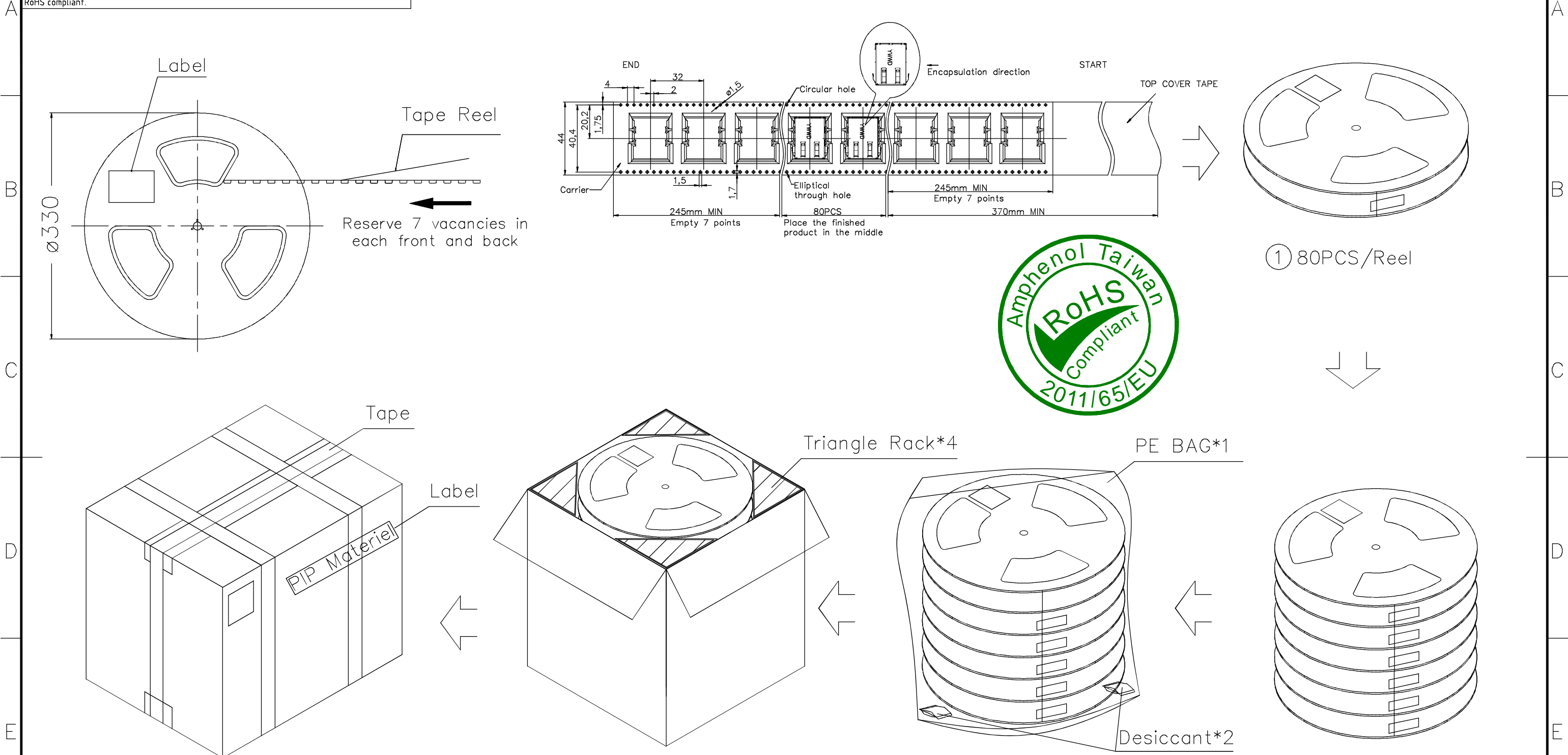
TOLERANCE	APPROVALS	DATE	TITLE		PART No.	
X. ±0.35	DRAWN Arvin Ye	05/08/2020	RJMG201X Series 1X1 1000 Base-T Series with LED options		Amphenol® Amphenol Corporation Amphenol Taiwan Corporation	
X.X ±0.25	CHECKED Vivian Wen	05/08/2020				
X.XXX ±0.15	APPROVED Roger Tsai	05/08/2020				
ANGULAR ±1°	DWG TYPE CUST DWG	PROJECT CODE RJMG	UNIT mm	SIZE A3	RJMG201GMXX20XR	
UNLESS OTHERWISE SPECIFIED			SCALE NA	SHEET 2 OF 4	DWG No. RJMG201GMXX20XR	REV. BX1

This document is the property of Amphenol Corporation and is delivered on the express condition that is not to be disclosed, reproduced or used, in whole or in part, for manufacture or sale by anyone other than Amphenol Corporation without its prior consent, and that no right is granted to disclose or to use any information in this document.

The marking on this product doesn't contain environmental hazardous materials per Material Specification SS-00259 for Sony GP compliant or per directive 2011/65/EU for RoHS compliant.

# CUSTOMER DRAWING

REVISIONS				
SYM	ECN No.	DESCRIPTION	DATE	APPROVED
A	NE-18101	INITIAL RELEASE	08/23/2018	Lawrence Chan
BX1	/	Update Drawing: Update bottom view pin	05/08/2020	Roger Tsai

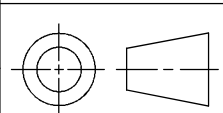


The material is placed in the waterproof bag and put into the drying bag and sealed by the sealer.

PARTS PER REEL	TOTAL REEL PER CARTON	PARTS PCS PER CARTON
80PCS	6 Reel	480PCS

TOLERANCE	APPROVALS	DATE	TITLE
X. ±0.35	DRAWN Arvin Ye	05/08/2020	RJMG201X Series 1X1 1000 Base-T Series with LED options
X.X ±0.25	CHECKED Vivian Wen	05/08/2020	
X.XX ±0.15	APPROVED Roger Tsai	05/08/2020	
ANGULAR ±1°	DWG TYPE CUST DWG	PROJECT CODE RJMG	
UNLESS OTHERWISE SPECIFIED			

Amphenol <sup>®</sup>	
Amphenol Corporation Amphenol Taiwan Corporation	
PART No.	RJMG201GMXX20XR
DWG No.	RJMG201GMXX20XR
REV.	BX1



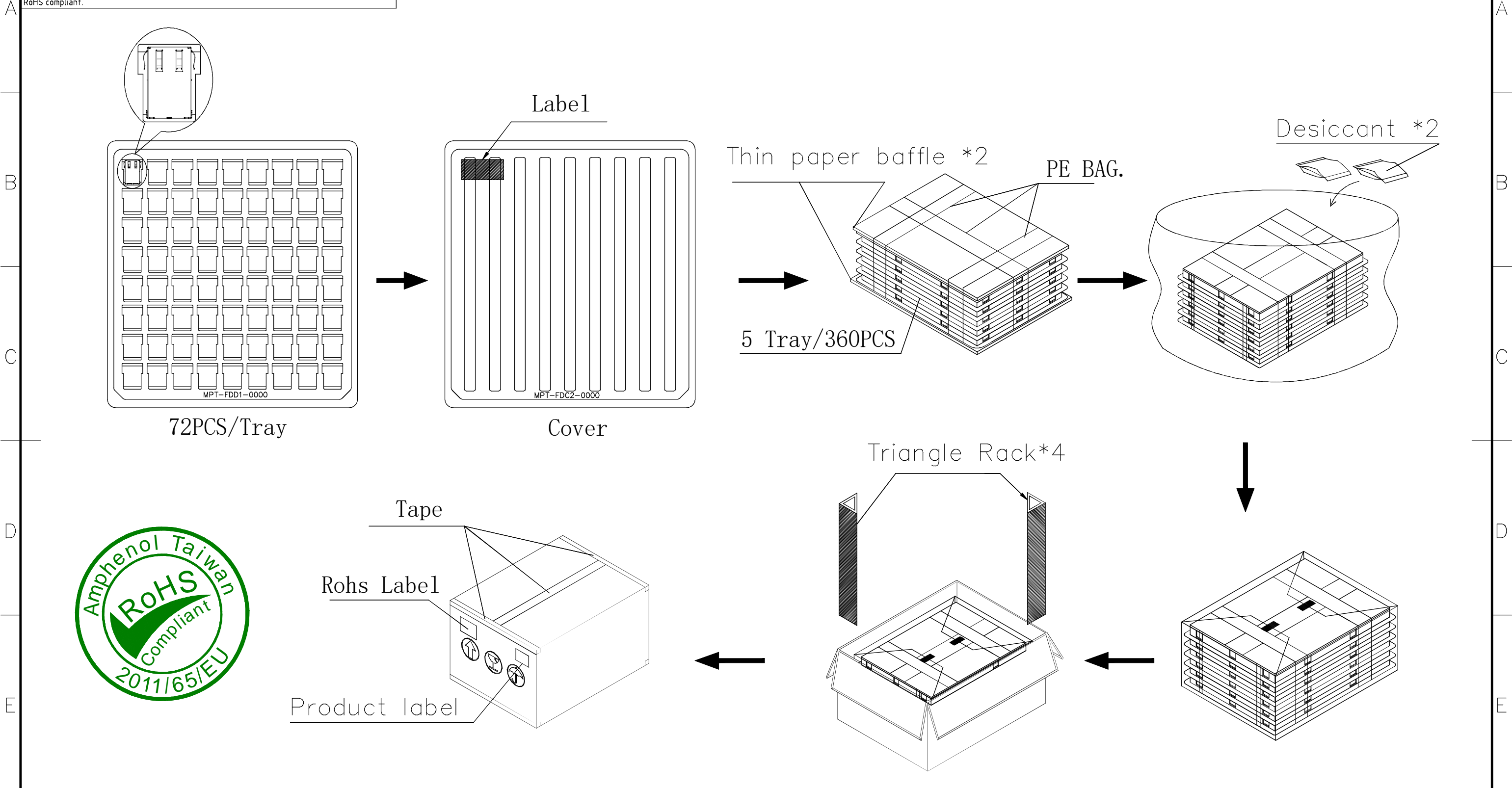
UNIT	mm	SIZE	A3
SCALE	NA	SHEET	3 OF 4

This document is the property of Amphenol Corporation and is delivered on the express condition that is not to be disclosed, reproduced or used, in whole or in part, for manufacture or sale by anyone other than Amphenol Corporation without its prior consent, and that no right is granted to disclose or to use any information in this document.

The marking on this product doesn't contain environmental hazardous materials per Material Specification SS-00259 for Sony GP compliant or per directive 2011/65/EU for RoHS compliant.

# CUSTOMER DRAWING

REVISIONS				
SYM	ECN No.	DESCRIPTION	DATE	APPROVED
A	NE-18101	INITIAL RELEASE	08/23/2018	Lawrence Chan
BX1	/	Update Drawing: Update bottom view pin	05/08/2020	Roger Tsai



PRODUCT		PCS PER TRAY	PCS PER OUTER BOX
SERIES	PORTS		
RJMG201X	RJ45 1X1	72	360

TOLERANCE	APPROVALS	DATE
X. ±0.35	DRAWN Arvin Ye	05/08/2020
X.X ±0.25	CHECKED Vivian Wen	05/08/2020
X.XX ±0.15	APPROVED Roger Tsai	05/08/2020
ANGULAR ±1°	DWG TYPE CUST DWG	PROJECT CODE RJMG
UNLESS OTHERWISE SPECIFIED		

TITLE			
RJMG201X Series 1X1 1000 Base-T Series with LED options			
Amphenol <sup>®</sup> Amphenol Corporation Amphenol Taiwan Corporation			
UNIT mm	SIZE A3	PART No. RJMG201GMXX20XR	
SCALE NA	SHEET 4 OF 4	DWG No. RJMG201GMXX20XR	REV. BX1