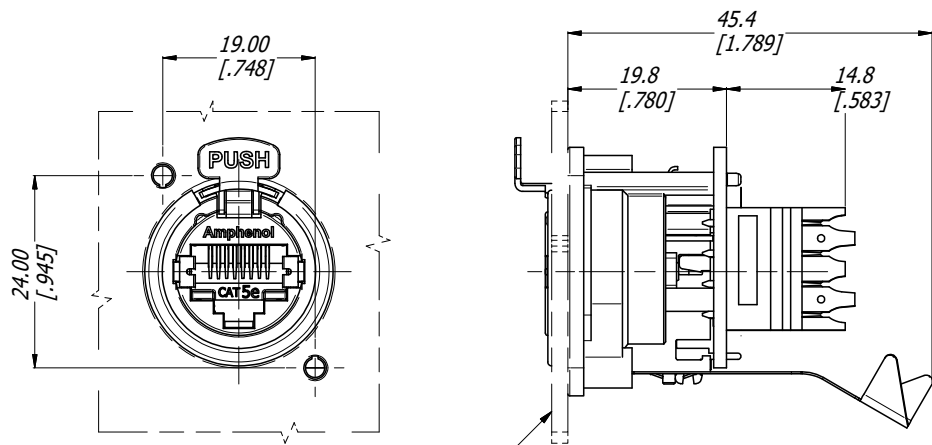
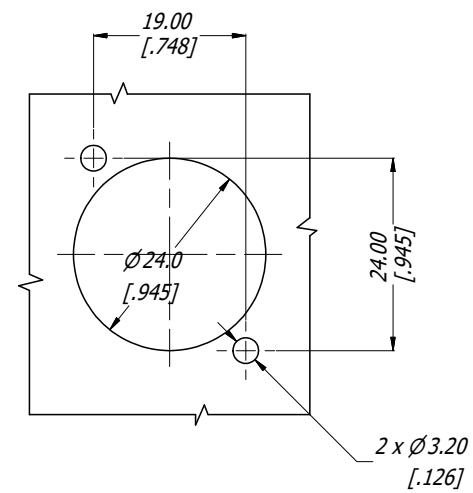
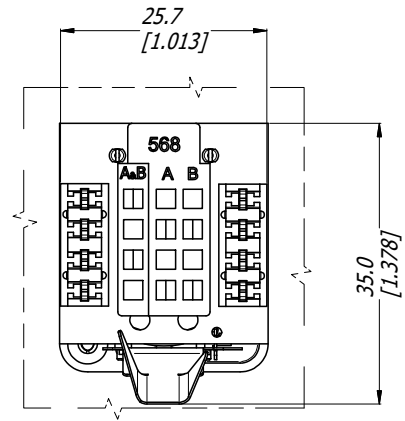


6 5 4 3 2 1

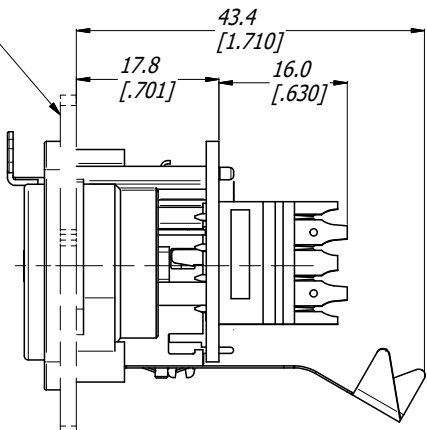
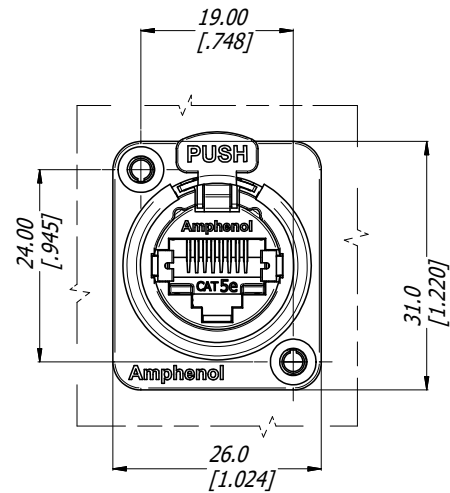
F E D C B A



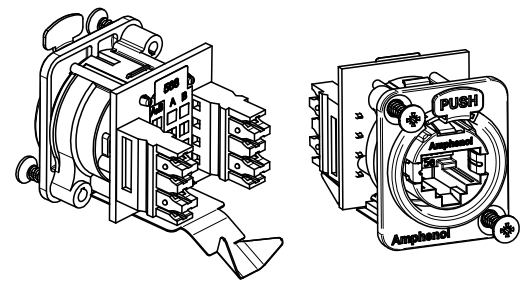
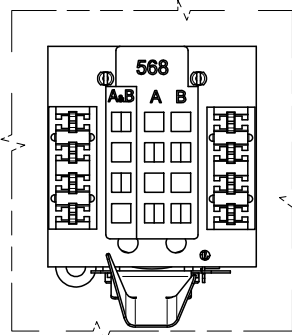
METAL FLANGE ASSEMBLED AT PANEL REAR SIDE



FRONT PANEL



METAL FLANGE ASSEMBLED AT PANEL FRONT SIDE



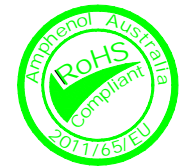
3D VIEW 1:1

SPECIFICATIONS:

- MATERIALS:**
 - PLASTIC INSERT & HOUSING: HIGH TEMPERATURE THERMOPLASTIC FLAMMABILITY RATING UL94V-0 DSM Stanyl, 30% BLACK
 - FRONT METAL SHELL: ZINC ALLOY ZAMAK 3, NICKEL PLATE .
 - CONTACTS: PHOSPHORE BRONZE, 1.27 um GOLD PLATE ON MATING SURFACES, 1.27 um NICKEL MIN UNDERPLATE, 3.81 um MIN MATTE TIN ON CONTACT TAILS.
 - LATCH LOCK AND SPRING: SPRING STEEL, NICKEL PLATE.
 - EMI/RFI HOOD: BRASS, TIN PLATE
- ELECTRICAL CHARACTERISTICS:**
 - RATED VOLTAGE: 125 VAC
 - TYPICAL CONTACT RESISTANCE: 20 mOhm
 - INSULATION RESISTANCE: >500 MOhm
 - DIELECTRIC STRENGTH: 1000 VAC, 60 SECONDS
 - TRANSMISSION SPECIFICATION/CLASS: COMPLIES WITH CAT6 1000 BASE-T PER EIA-568-C.2 AND ISO 11801
 - PoE+ COMPLIES WITH 802.3at Type 2

TABLE OF PART NUMBERS

PART No.	METAL SHELL FINISH
RJX8FD6110	NICKEL
RJX8FE6110	BLACK



UNLESS OTHERWISE SPECIFIED TOLERANCE TO BE		THIS DOCUMENT IS THE PROPERTY OF AMPHENOL AUSTRALIA PTY. LTD. NO PART THEREOF MAY BE REPRODUCED AND USED WITHOUT THE PRIOR WRITTEN CONSENT OF THE OWNER.			Amphenol		Amphenol Australia Pty.Ltd, 22 Industry Blvd, Carrum Downs VIC 3201 Australia		
LINEAR	ANGULAR	MATERIAL:	DRN:	T.N	DATE:	TITLE:		PART No:	REV
X ± 0.5	X' ± 1	REFER SPECIFICATION	CKD:	P.M	DATE:	XLRnet D TYPE CAT6 PUNCHDOWN IDC 110 CUSTOMER DRAWING		REFER TABLE P/No	1
X.X ± 0.1	X.X' ± 30'	BREAK ALL SHARP EDGES AND REMOVE ALL BURRS	APP'D:	P.M	DATE:	DRAWING No.		55011301-000-2	SHEET
X.X ± 0.05	X.XY" ± 15'	DO NOT SCALE	SCALE:	3:2	SIZE:	A3		2/2	
DIMENSIONS IN MILLIMETRES		THIRD ANGLE PROJECTION							

6 5 4 3 2 1