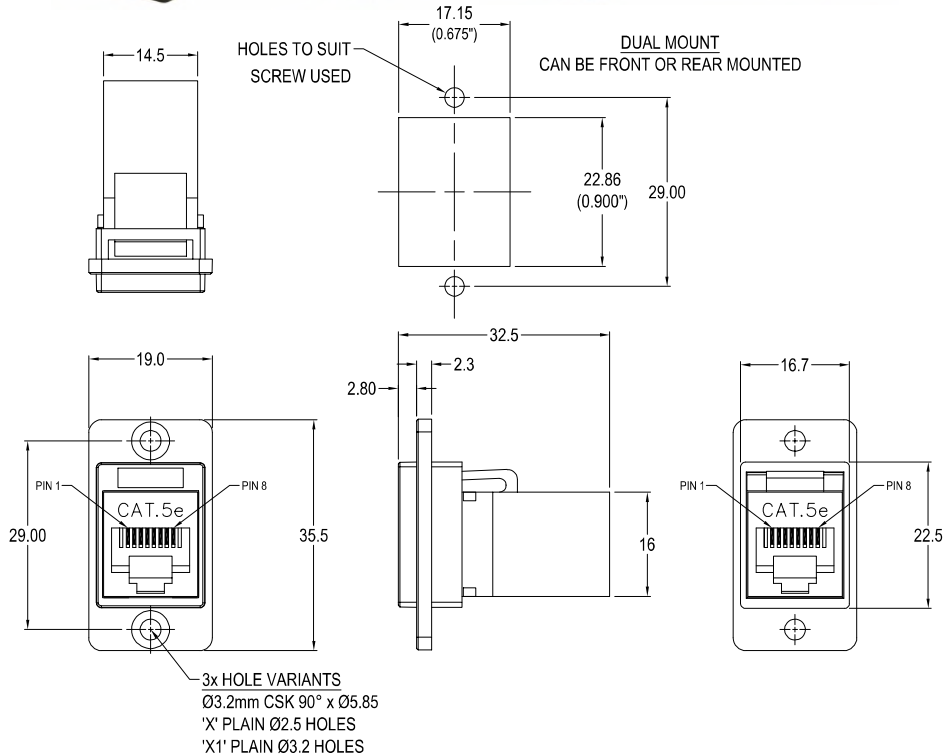


# CLIFF

## DUALSLIM CAT5e RJ45 FEEDTHROUGH CONNECTOR

Can be front or rear mounted in the panel



### VARIANTS

Part No.

**CP30720**

DUALSLIM Cat5e RJ45 Black plastic frame, CSK holes

**CP30720X**

DUALSLIM Cat5e RJ45 Black plastic frame, Ø2.5 PLAIN holes

**CP30720X1**

DUALSLIM Cat5e RJ45 Black plastic frame, Ø3.2 PLAIN holes

### Feedthrough Features

- Fits standard rectangular cutout.
- Front or rear mounting through the panel.
- Various hole mounting options.
- No soldering or punch termination. Use standard cable for each connector style.
- Low rear profile.

### General:

Please note: Functionality is affected by cable quality, length and cable wiring configuration.

### Material:

1. RJ45 In-Line Coupler: ABS UL94-V0
2. RJ45 In-Line Coupler Contact:  
Phosphor Bronze, 3-50 micro inches  
gold plating over nickel plate.

3. PCB: FR4

4. Frame: Polyamide UL94-V2

### Performance:

1. T568A & T568B wiring.
2. Meet ISO/IEC 11801 and EN50173
3. Meet ANSI/TIA/EIA 568B.2
4. Rating 125VAC RMS 1.5A
5. Operating Temperatures: Min -10°C Max +60°C