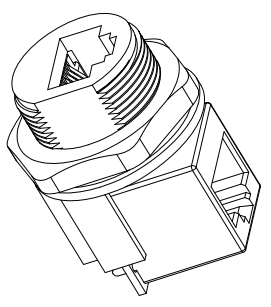
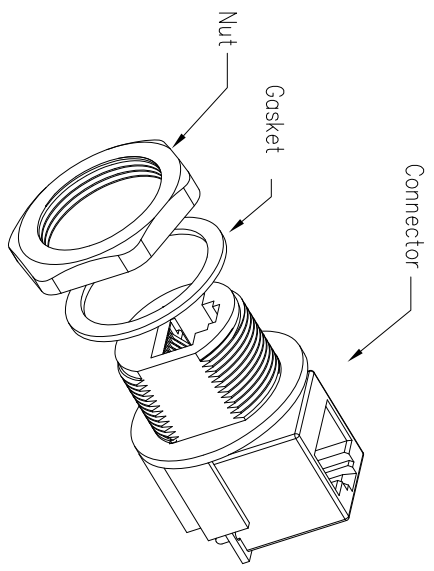
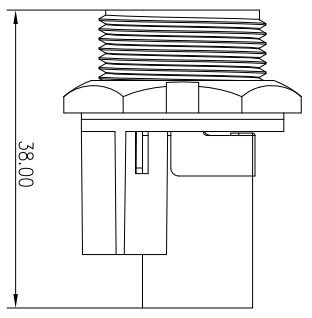
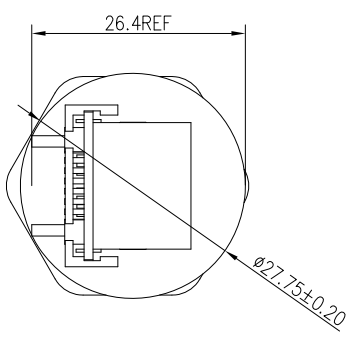
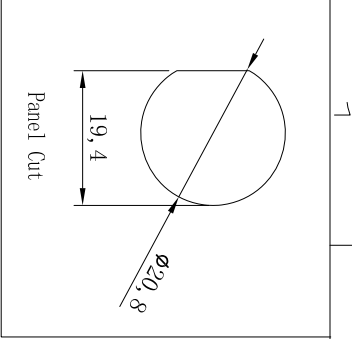


REV.	ECN NO.	DESCRIPTION	SIGN	DATE
C1	N/A	Initial Drawing	LiYongSheng	2020/04/29



- Specification:
- 1.Operation Temperature:  $-40^{\circ}\text{C} \sim 85^{\circ}\text{C}$ .
  - 2.Insulation Resistance:  $100\text{M}\Omega$  At DC500V.
  - 3.Contact Resistance:  $<30\text{m}\Omega$ .
  - 4.Waterproof: IP67.
  - 5.Mating Cycles: 500 cycles.
  - 6.Seal Nut: Nylon, Black
  - 7.Gasket: Silicon, Gray.
  - 8.Socket Housing: Nylon, Black
  - 9.Baffle: Nylon, Black
  - 10.Shield Sheet : Ni Plated
  - 11.PCB: Assembly Parts.
  - 12.RoHS Compliant.

DESCRIPTION  
RJ45 Threaded socket 90°

SCALE: 1:1  
REV. C1  
SIZE A4  
SHEET X OF X  
\* : Inspection Item

UNIT: mm

TOLERANCE  
X ±0.25  
XX ±0.15  
XXX ±0.05  
ANGLES ±1°



**CHOGORI**

PART NO  
33000000-02

DRAWN BY  
LiYongSheng

DATE  
2020/04/29

DWG NO

CHECKED BY  
Allen

DATE  
2020/04/29

CUSTOMER

APPROVED BY  
Panson

DATE  
2020/04/29