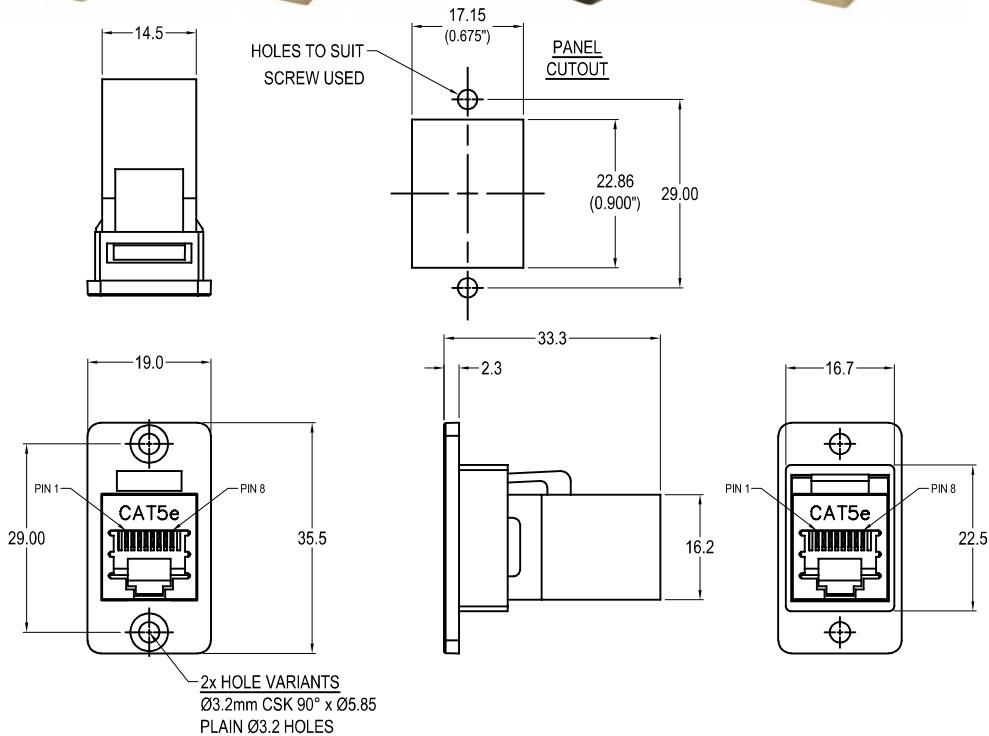


CLIFF

SLIM CAT5e RJ45 SHIELDED FRONT MOUNTING METAL FRAME FEEDTHROUGH



Part No.

- CP30620SM** SLIM FM Cat5e RJ45 Shielded Nickel frame, CSK holes
CP30620SMB SLIM FM Cat5e RJ45 Shielded Black metal frame, CSK holes
CP30620SMX1 SLIM FM Cat5e RJ45 Shielded Nickel frame, Ø3.2 PLAIN holes
CP30620SMBX1 SLIM FM Cat5e RJ45 Shielded Black metal frame, Ø3.2 PLAIN holes

Feedthrough Features

- Fits standard rectangular cutout.
- Various hole mounting options.
- No soldering or punch termination. Use standard cable for each connector style.
- Low rear profile.

General:

Please note: Functionality is affected by cable quality, length and cable wiring configuration.

Material:

1. RJ45 In-Line Coupler: ABS UL94-V0 Fully Shielded
2. RJ45 In-Line Coupler Contact: Phosphor Bronze, 3-50 micro inches gold plating over nickel plate.
3. PCB: FR4
4. FT Frame: Diecast, Nickel or Black plated

Performance:

1. T568A & T568B wiring.
2. Meet ISO/IEC 11801 and EN50173
3. Meet ANSI/TIA/EIA 568B.2
4. Rating: 125VAC RMS 1.5A
5. Operating Temperatures: Min -10°C Max +70°C