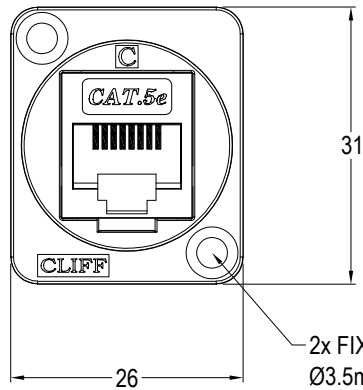
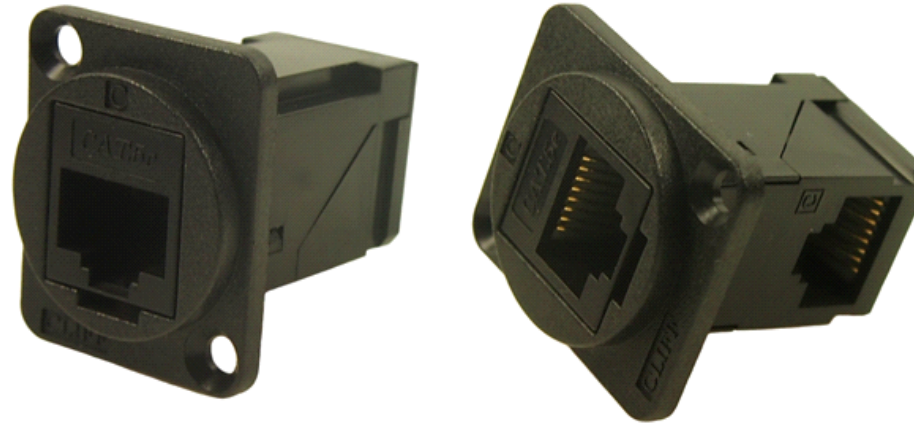
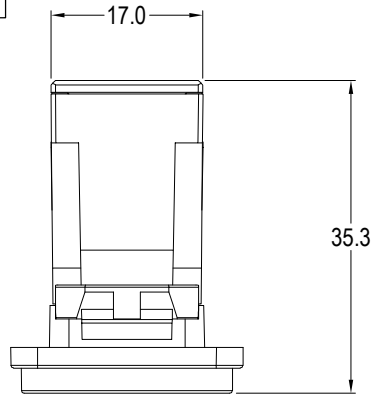
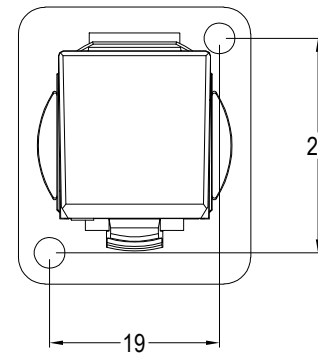
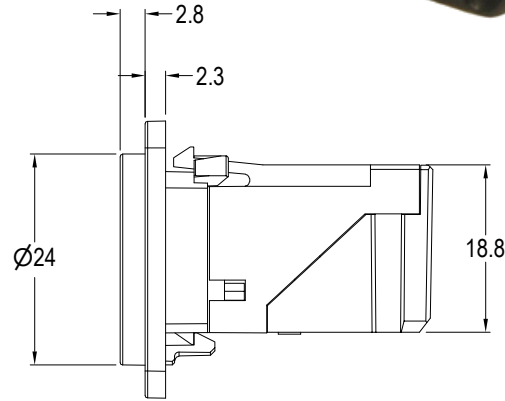


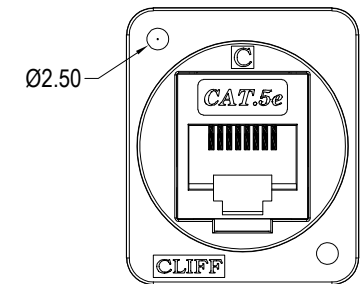
ISS.	AMEND	DATE
1	ISSUED	15/07/22



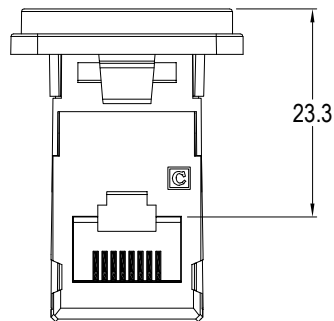
2x FIXING HOLE VARIANTS:  
 Ø3.5mm CSK 82° x Ø5.85  
 'X' VERSION HAS Ø2.5 PLAIN HOLES.



PART NO.	FIXING HOLE DETAILS
CP30251	HOLE Ø3.50 x CSK 82° x Ø5.85
CP30251X	PLAIN HOLE Ø2.50



'X' VERSION  
 Ø2.5 PLAIN HOLES



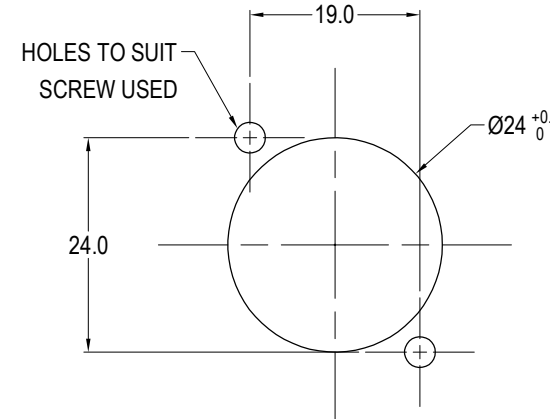
**Material:**

1. RJ45 In-Line Coupler: ABS UL94-V2
2. RJ45 In-Line Coupler Contact: Phosphor Bronze, gold plating.
3. PCB: FR4
4. Frame: Polyamide UL94-V2

**Performance:**

1. T568A & T568B wiring.
2. Meet ISO/IEC 11801 and EN50173
3. Meet ANSI/TIA/EIA 568B.2
4. Rating 125VAC RMS 1.5A
5. Operating Temperatures: Min -10°C Max +60°C

PANEL CUTOUT  
 MAXIMUM PANEL  
 THICKNESS 3mm



HOLES TO SUIT  
 SCREW USED

**RoHS**  
 COMPLIANT

**TOLERANCE**  
 NO DEC. PLACE ±  
 1 DEC. PLACE ±  
 2 DEC. PLACE ±  
 HOLE Ø ±  
 ANGLES ±  
 UNLESS  
 OTHERWISE STATED

DO NOT SCALE

**Cliff Electronic Components Ltd.**

76 Holmehorpe Avenue, Holmehorpe Industrial Estate,  
 Redhill, Surrey, RH1 2PF, England, UK  
 Tel: 01737-771375 Fax: 01737-766012 Website: www.cliffuk.co.uk

DIMENSIONS IN MILLIMETERS UNLESS OTHERWISE STATED. WORK TO DIMENSIONS. REMOVE ALL BURRS. IF IN DOUBT ASK.

3rd ANGLE PROJECTION:

MATERIAL: See Notes

FINISH: See Notes

DRAWN: T.J.O.

APPROVED: D.P.J.

TITLE: RAFT CAT5e RJ45-RJ45

DRWG. No. **CP30251**

FORM: A4DRWGH