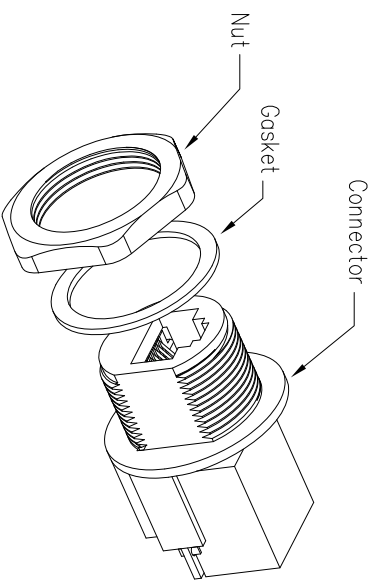
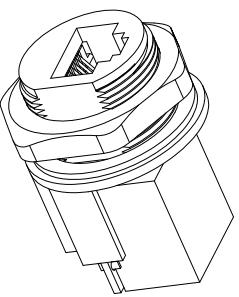
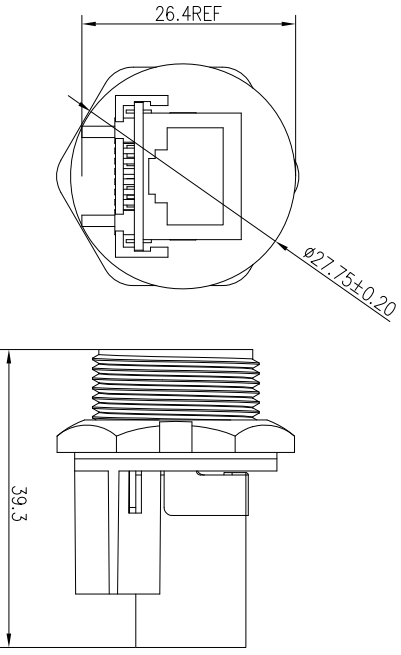
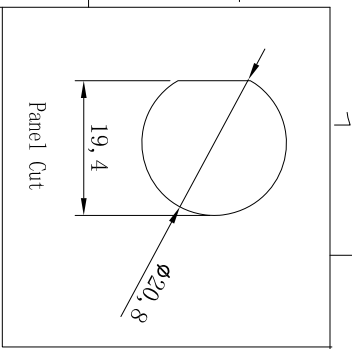


REV.	ECN NO.	DESCRIPTION	SIGN	DATE
C1	N/A	Initial Drawing	LiYongSheng	2020/04/29



Specification:

- 1.Operation Temperature:  $-40^{\circ}\text{C} \sim 85^{\circ}\text{C}$ .
- 2.Insulation Resistance:  $100\text{M}\Omega$  At DC500V.
- 3.Contact Resistance:  $<30\text{m}\Omega$ .
- 4.Waterproof: IP67.
- 5.Mating Cycles: 500 cycles.
- 6.Seal Nut: Nylon, Black
- 7.Gasket: Silicon, Gray.
- 8.Socket Housing: Nylon, Black
- 9.Baffle: Nylon, Black
- 10.Shield Sheet : Ni Plated
- 11.PCB: Assembly Parts.
- 12.RoHS Compliant.

DESCRIPTION RJA45 Threaded socket 180°

UNIT: mm	
TOLERANCE	$\pm 0.25$
X	$\pm 0.15$
XX	$\pm 0.05$
XXX	$\pm 1$
ANGLES	

SCALE	1:1	SIZE	A4	SHEET	X	OF	X
REV.	C1	* : Inspection Item					

**CHOGORI**

PART NO	33000000-01	DRAWN BY	LiYongSheng	DATE	2020/04/29
DWG NO		CHECKED BY	Allen	DATE	2020/04/29
CUSTOMER		APPROVED BY	Ponson	DATE	2019/04/29